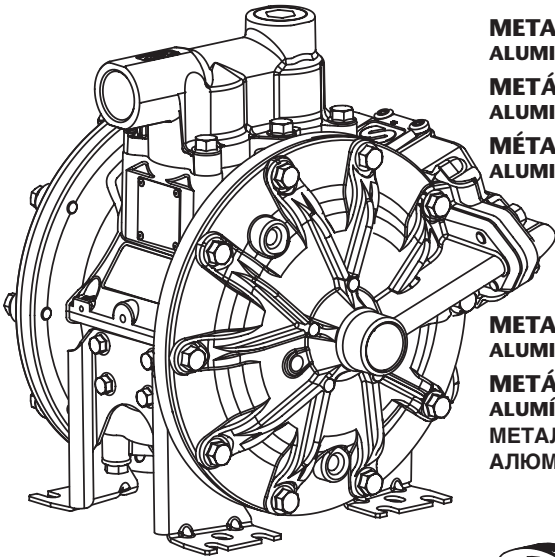


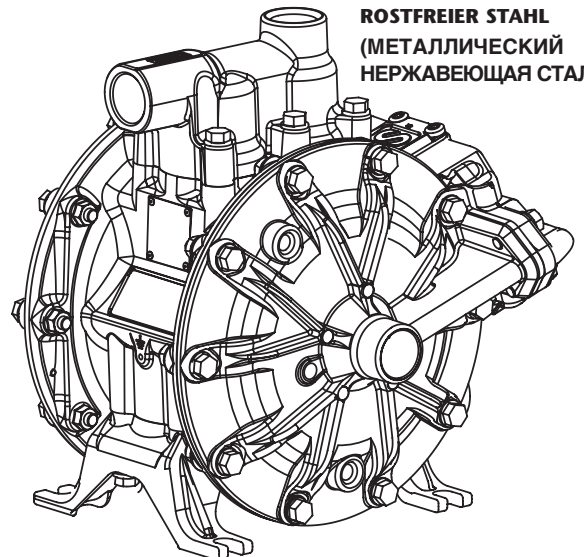
Parts and technical service guide
Guía de servicio técnico y recambios
Guide d'instructions et pièces de rechange
Bedienungsanleitung und Teileliste
Manual de utilizagao e garantia
Список деталей и руководство по техническому обслуживанию

METALLIC
STAINLESS STEEL
METÁLICA
ACERO INOXIDABLE

MÉTALLIQUE
ACIER INOXYDABLE
METÁLICA
AÇO INOXIDÁVEL
METALLISCH
ROSTFREIER STAHL
(МЕТАЛЛИЧЕСКИЙ
НЕРЖАВЕЮЩАЯ СТАЛЬ)



METALLIC
ALUMINIUM
METÁLICA
ALUMINIO
MÉTALLIQUE
ALUMINIUM

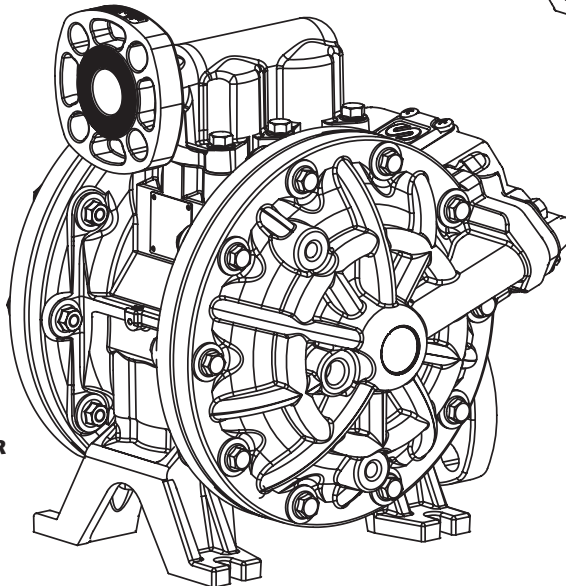


METALLISCH
ALUMINIUM
METÁLICA
ALUMINIO
МЕТАЛЛИЧЕСКИЙ
АЛЮМИНИЙ

NON-METALLIC
POLYPROPYLENE
CONDUCTIVE POLYPROPYLENE
CONDUCTIVE ACETAL
PVDF / CONDUCTIVE PVDF

NO METÁLICA
POLIPROPILENO
POLIPROPILENO CONDUCTIVO
ACETAL CONDUCTIVO
PVDF / PVDF CONDUCTIVO

NON-MÉTALLIQUE
POLYPROPYLÈNE
POLYPROPYLÈNE CONDUCTEUR
ACÉTAL CONDUCTEUR
PVDF / PVDF CONDUCTEUR



NICHT METALLISCHE
POLYPROPYLEN
LEITFÄHIGES POLYPROPYLEN
LEITFÄHIGES ACETAL
PVDF / LEITFÄHIGES PVDF

NÃO METÁLICA
POLIPROPILENO
POLIPROPILENO CONDUTOR
ACETAL CONDUTOR
PVDF / PVDF CONDUTOR

НЕМЕТАЛЛИЧЕСКИЙ
ПОЛИПРОПИЛЕН
ПРОВОДЯЩИЙ ПОЛИПРОПИЛЕН
ПРОВОДЯЩИЙ АЦЕТАЛЬ
ПВДФ / ПРОВОДЯЩИЙ ПВД)

EN	1" DOUBLE DIAPHRAGM PUMP DP200 (200 l/min-53 gal/min)	2
ES	BOMBA DOBLE DE DIAFRAGMA 1" DP200 (200 l/min-53 gal/min)	17
FR	POMPE À DOUBLE MEMBRANE 1" DP200 (200 l/min-53 gal/min)	30
DE	BOMBA DE DUPLO DIAFRAGMA 1" DP200 (200 l/min-53 gal/min)	45
PT	DOPPELMEMBRANPUMPE 1" DP200 (200 l/min-53 gal/min)	58
RU	ДВУХМЕМБРАННЫЙ НАСОС 1" DP200 (200 л/мин-53 гал/мин)	73

CODING / CODIFICACIÓN

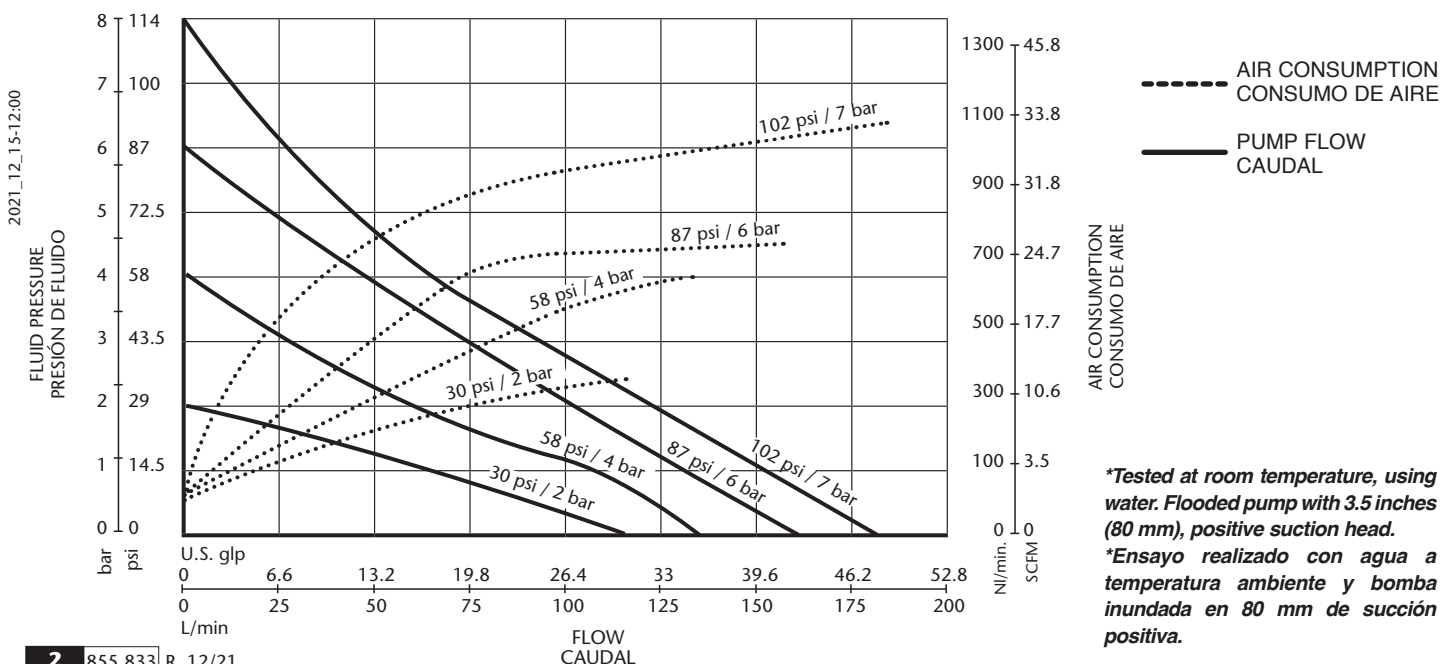
DP200	X	X	X	X	X	X	X	X	X
EN	AIR VALVE / DISTRIBUIDOR AIRE	BODY PUMP / CUERPO COLECTORES	PUSH ROD / EJE	SEALS / SEATS / JUNTAS ASIENTOS	BALLS / BOLAS	DIAPHRAGMS / MEMBRANAS	CONNECTIONS / ROSCAS	OPTIONS / OPCIONES	
ES	A Aluminum / Aluminio P Polypropylene / Polipropileno	A Aluminum / Aluminio S Stainless steel / Acero inoxidable P Polypropylene / Polipropileno B Conductive PP C POM W PVDF	S Stainless steel Y Hastelloy® C	N NBR V FKM E EPDM T PTFE A Aluminum / Aluminio P Polypropylene / Polipropileno C POM W PVDF N NBR M Santoprene® H Hytrel®	S Stainless steel / Acero inoxidable C POM T PTFE S Stainless steel / Acero inoxidable N NBR	T PTFE C POM T PTFE M Santoprene® N NBR	B BSP N NPT F Flange	A Standard pump / Bomba estándar B Remote exhaust kit included / Kit salida de aire roscada incluido C Diaphragm leak detector / Detector de rotura de diafragma D Cycle sensor / Sensor de ciclos E Externally controlled with solenoid valve (not included) / Control externo con válvula de solenoide (no incluida) F Nose muffler included / Silencioso de nariz incluido G Externally controlled with solenoid valve (not included) and inductive end of stroke sensors NPN (included) / Control externo con válvula de solenoide (no incluida) y sensor de final de Carrera inductivos NPN (incluidos) I Externally controlled with solenoid valve (not included) and inductive end of stroke sensors ATEX-Namur (included) / Control externo con válvula de solenoide (no incluida) y sensor de final de Carrera inductivo ATEX-Namur- (incluidos) U Pump suitable for UV fluids / Bomba para fluidos UV	

TECHNICAL DATA / DATOS TÉCNICOS

		DP200
RATIO	RATIO	1:1
MAXIMUM FREE FLOW	MÁXIMO CAUDAL SALIDA LIBRE	53 Us gal/min (200 l/min)
DELIVERY PER STROKE	DESPLAZAMIENTO POR EMBOLADA	17 oz (0.5 l)
AIR PRESSURE OPERATING RANGE	RANGO DE PRESIÓN	20 to 120 psi (1,5 to 8 bar)
SOLID IN SUSPENSION MAX SIZE	MAX. TAMAÑO DE PARTÍCULAS EN SUSPENSIÓN	1/4" (6 mm)
MAXIMUM SUCTION HEAD	ALTURA MÁXIMA DE SUCCIÓN	16.5 ft (5 m) dry (seco), 26.2 ft (8 m) wet (húmedo)
WEIGHT	PESO	44.09 lb (20 kg) Stainless Steel (Acero inoxidable)
		24.25 lb (11 kg) Aluminum (Aluminio)
		23.1 lb (10,5 kg) Plastic (Plástico)
FLUID INLET/ OUTLET CONNECTIONS	CONEXIONES DE ENTRADA/ SALIDA DE FLUIDO	1" BSP (F) or NPT (F) Aluminum and Stainless steel pumps / (1" BSP (F) o NPT (F) Bombas de aluminio y acero inoxidable)
		FLANGE DIN DN25 or ANSI 1" B16.5 150 lbs BRIDA DIN DN25 o ANSI 1" B16.5 150 lbs
AIR INLET	ENTRADA DE AIRE	3/8" NPSM (F)
TEMPERATURE RANGE	RANGO DE TEMPERATURAS DE TRABAJO	32 -158 °F (0 - 70 °C)

(oz, ft, gal/min) all in EEUU units
(oz, ft, gal/min) todo en unidades EEUU

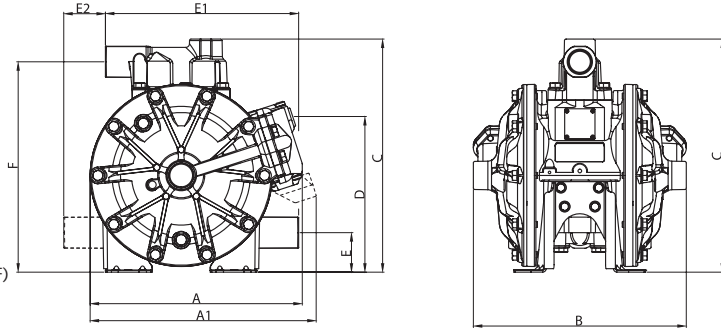
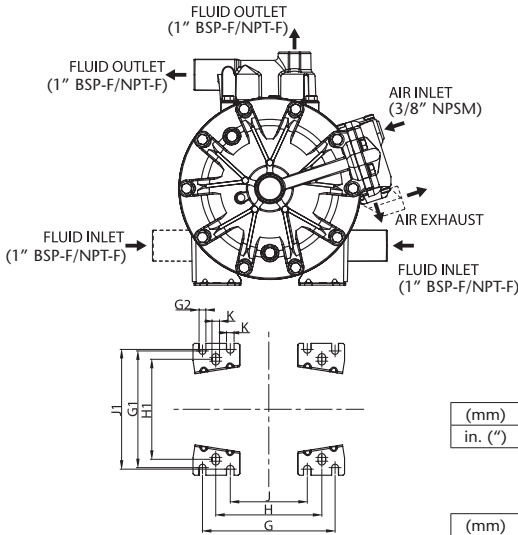
CAPACITY CURVES / CURVAS DE CAPACIDAD



*Tested at room temperature, using water. Flooded pump with 3.5 inches (80 mm), positive suction head.
*Ensayo realizado con agua a temperatura ambiente y bomba inundada en 80 mm de succión positiva.

DIMENSIONS / DIMENSIONES

METALLIC-ALUMINIUM / METÁLICA-ALUMINIO



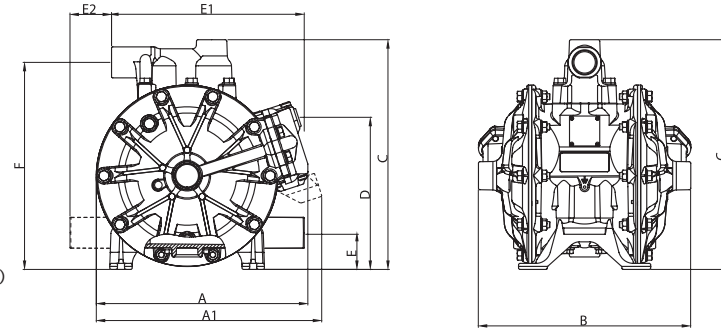
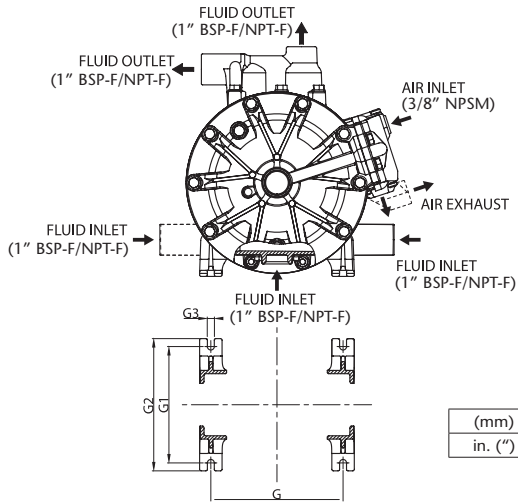
DIMENSIONS / DIMENSIONES

	A	A1	B	C	D	E	E1	E2	F
(mm)	280	298	281	308	205	52	255	55	278
in. (")	11 3/128"	11 47/64"	11 1/16"	12 1/8"	8 9/128"	2 3/64"	10 5/128"	2 21/128"	10 121/128"

ATTACHMENT / FIJACIONES

	G	G1	G2	H	H1	J	J1	K
(mm)	175	154	9	140	127-137	102	158	10
in. (")	6 57/64"	6 1/16"	23/64"	5 33/64"	5"-5 25/64"	4 1/64"	6 7/32"	25/64"

METALLIC-STAINLESS STEEL / METÁLICA-ACERO INOXIDABLE



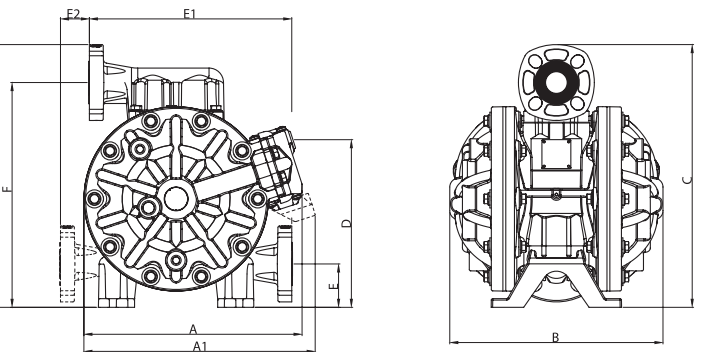
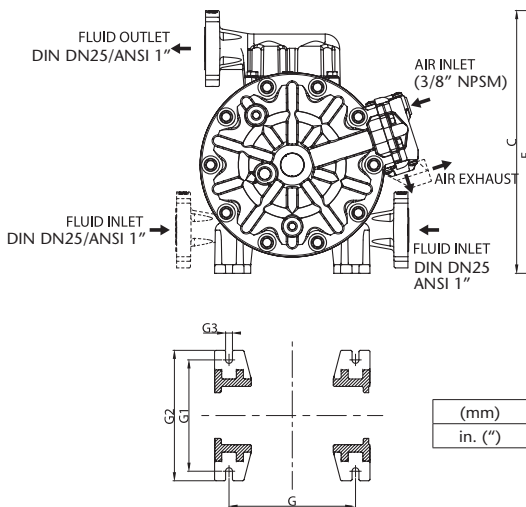
DIMENSIONS / DIMENSIONES

	A	A1	B	C	D	E	E1	E2	F
(mm)	280	298	281	304	200	48	255	55	274
in. (")	11 3/128"	11 47/64"	11 1/16"	11 31/32"	7 7/8"	1 57/64"	10 5/128"	2 21/128"	10 101/128"

ATTACHMENT / FIJACIONES

	G	G1	G2	G3
(mm)	175	154	175	9
in. (")	6 57/64"	6 1/16"	6 57/64"	23/64"

NON METALLIC / NO METÁLICA



DIMENSIONS / DIMENSIONES

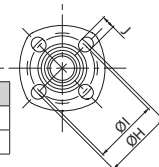
	A	A1	B	C	D	E	E1	E2	F
(mm)	302	320	295	364	232	60	280	40	311
in. (")	11 57/64"	12 19/32"	11 39/64"	14 21/64"	9" 9/64"	2 23/64"	11 3/128"	1 37/64"	12 1/4"

ATTACHMENT / FIJACIONES

	G	G1	G2	G3
(mm)	175	154	180	9
in. (")	6 57/64"	6 1/16"	7 11/128"	23/64"

FLANGE / BRIDA

	Ø H	Ø I	J
(mm)	85	79,4	17
	3 11/32"	3 1/8"	43/64"



IMPORTANT: When doing a pump maintenance that implies manifold disassembling and pump is fitted with PTFE o-rings (white colour), they must be replaced by new ones in order to avoid fluid leakages".

IMPORTANTE: Cuando realice un mantenimiento en la bomba que implique desmontaje de los colectores y la bomba esté configurada con juntas de PTFE (color blanco), estas tienen que ser reemplazadas por unas nuevas con objeto de evitar fugas de fluido".

In this document you will find warnings and cautions for installation, use and maintenance of the pumps. Here's the meaning of symbols you may find in this document and general warnings that you should keep in mind.



WARNING: This symbol aware that there is a danger of serious bodily injury or death if you ignore the warning described.

CAUTION: This symbol aware that there is a danger of personal injury or property damage if you ignore the caution described.



WARNING: CAREFULLY READ THE INSTRUCTIONS AND WARNINGS BEFORE OPERATING THE EQUIPMENT!

- This equipment is for professional use only.
- Do not degrade the integrity of the equipment. Use only original replacement components from Samoa Industrial, S.A.
- Fluids not suitable for the pump can cause damage to the pump unit and involve risk of serious personal injury. Always consult Samoa Industrial, S.A. if you have any questions about the compatibility within the fluids and the pump materials, including elastomers.
- Install and use the pump according to all local and national regulations and abide all health and safety laws or legislation.
- The pump can produce fluid pressures equal to the air supply pressure. Do not exceed the maximum allowable pressure of 120 psi (8 bar) air supply. The total hydraulic pressure (differential pressure + system) should never exceed 120 psi (8 bar).
- Never use a pump that leaks, that is damaged, that is corroded or otherwise it may lack the capacity to contain the fluid.
- Frequently check that the bolts on the diaphragm cover of the pump are torqued correctly.
- Do not use a model with aluminium wetted surfaces to pump fluids for human consumption, there is a possibility of trace contamination of lead.
- Danger of explosion if used 1,1,1-trichloroethane, methylene chloride or other halogenated hydrocarbon solvents with aluminium wetted materials. It could cause serious injury and property damage.
- Inside the pump, diaphragms separate the fluid that is being pumped from the air supply. If a diaphragm breaks, the fluid can leak out of the air exhaust and contaminate the environment.
- When handling hazardous fluids, always route the air exhaust into a suitable container and locate it in a safe place. (Optional connection system at customer's request. Not supplied with the unit).
- When the fluid source level is situated higher than the pump, (flooded suction), the outlet tank must be at a higher level than the product to prevent spills.
- For pumps handling hazardous fluids that are a danger to humans or to the environment, install a suitable container surrounding the pump to prevent any leaks or spills.
- Ensure that the operators of this equipment are trained on the operation and limitations. Use safety equipment as safety goggles or other equipment required.

DESCRIPTION

Air operated double diaphragm pumps are air-powered, reciprocating positive displacement pumps with two pumping chambers. Two diaphragms, centrally located in the chambers, separate the compressed air (dry side) from the fluid being pumped (wet side). A shaft transmits the reciprocating motion of one diaphragm to the other. A directional valve alternatively distributes the air from one chamber to the other; thus a reciprocating movement of the diaphragms is created. With each stroke, fluid is discharged by one of the diaphragms whilst the opposite diaphragm sucks new fluid into the expanding chamber. Check valves, two on the discharge side and two on the suction side, control and direct the fluid flow.

MATERIAL	TEMPERATURE RANGE
PTFE	5 °C - 105 °C / 41 °F - 221 °F
NBR	10 °C - 80 °C / 50 °F - 176 °F
Acetal	10 °C - 90 °C / 50 °F - 194 °F
Hytrel®	10 °C - 90 °C / 50 °F - 194 °F
Neopreno	-18 °C - 93 °C / 0 °F - 200 °F
Santoprene®	-29 °C - 135 °C / -20 °F - 275 °F
Viton®	-10 °C - 177 °C / -4 °F - 351 °F
Polypropylene	10 °C - 80 °C / 50 °F - 176 °F

INSTALLATION

INSTALLATION RECOMMENDATIONS

- Remove the pump from its package and install it on the chosen location.
- Try to minimize the suction head. Install the pump as close as possible to the fluid being pumped.
- Remember to have enough space around the pump to perform maintenance tasks.
- Keep in mind to connect the inlet and outlet of the pump correctly.
- In case of diaphragm pump failure, the air exhaust will expel the product being pumped.
- When the pump is installed in a place where a spill of fluid can cause an environmental impact, the exhaust should be directed to a place where this spill could be contained.
- When installing the pump in its place, use brackets to secure its base.
- Fasten all bolts with the torques contained in this manual.

INSTALLATION

DP PUMPS ARE VERY EASILY CONFIGURED AND EASY TO INSTALL

FLOODED:

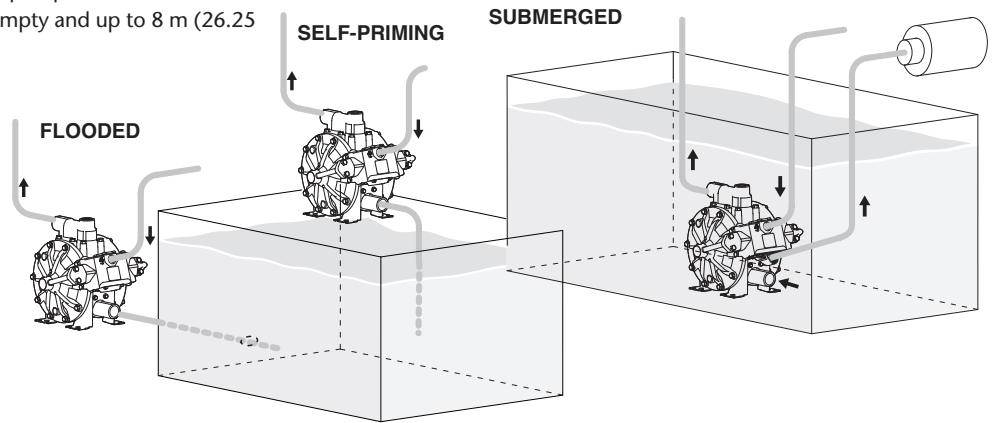
The pumping system was designed with positive pressure at the inlet. This is the best possible installation when you need to evacuate the liquid from the drum or tank, or when working with viscous fluids. Not recommended for hazardous fluids.

SELF-PRIMING:

Pump is designed to generate vacuum. It is possible to evacuate all the air from a hose or pipe without damaging the pump. Maximum suction height is (5 m) 16.5 ft, with the suction hose empty and up to 8 m (26.25 ft) with the hose primed.

SUBMERGED:

All pumps can be immersed in fluids. It is important to verify that all components that are in contact with the fluid are chemically compatible. In this case, air exhaust and fluid must be carried by hoses (optional air connection).



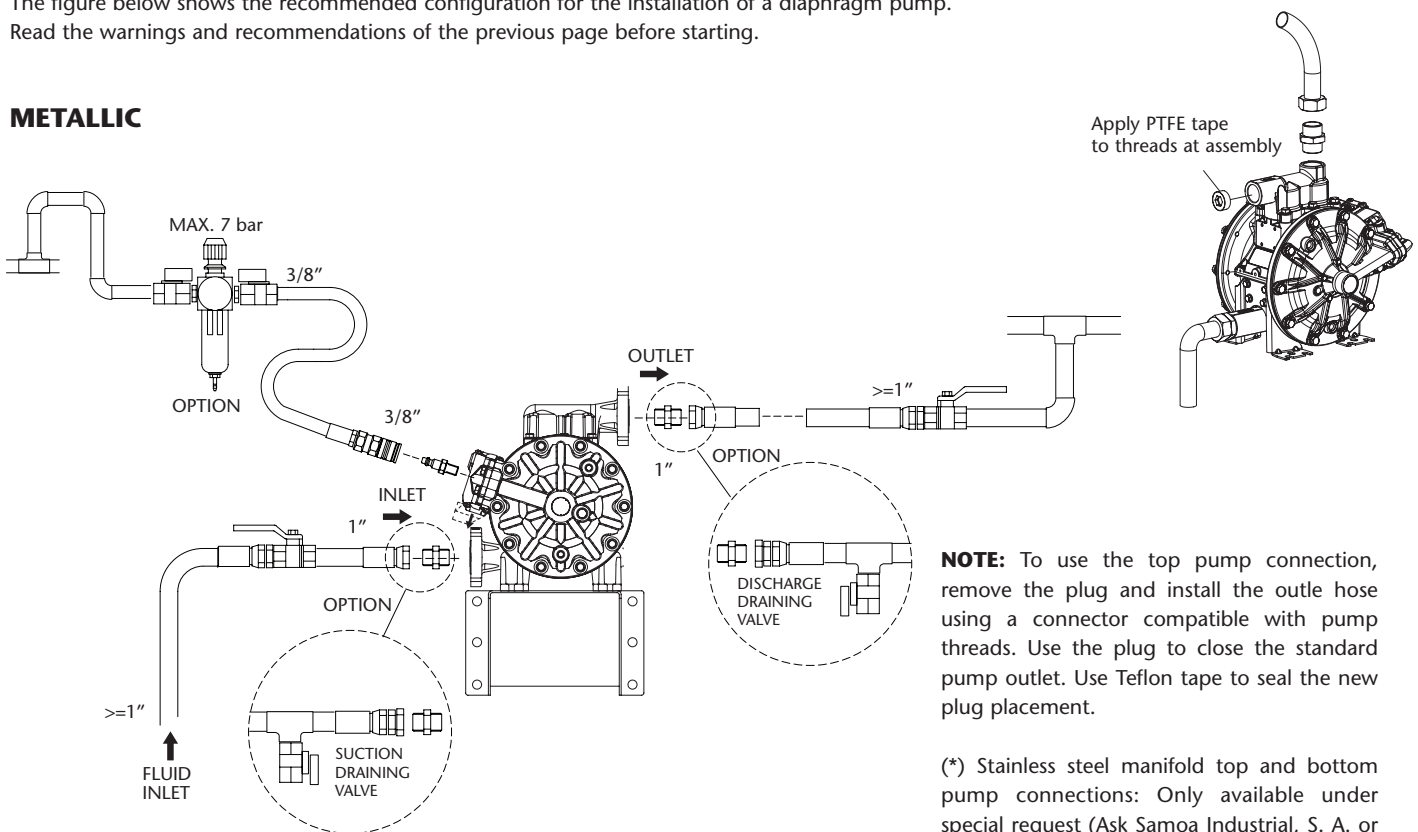
NOTE: Use a pressure regulator with built-in filter inlet.

NOTE: The compressed air supply must be between 1,5 bar (20 psi) and 8 bar (120 psi).

RECOMMENDED INSTALLATION

The figure below shows the recommended configuration for the installation of a diaphragm pump. Read the warnings and recommendations of the previous page before starting.

METALLIC



NOTE: To use the top pump connection, remove the plug and install the outle hose using a connector compatible with pump threads. Use the plug to close the standard pump outlet. Use Teflon tape to seal the new plug placement.

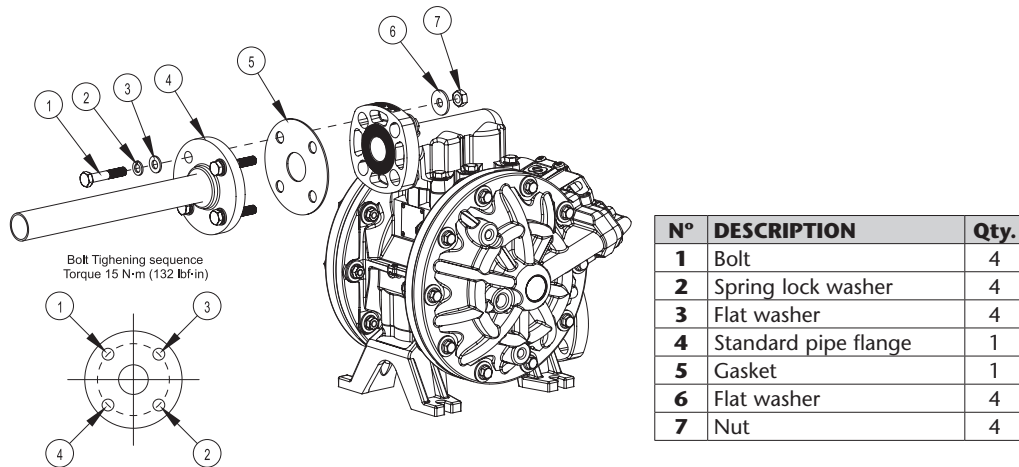
(* Stainless steel manifold top and bottom pump connections: Only available under special request (Ask Samoa Industrial, S. A. or your local distributor).

2021_12_15-12:00

RECOMMENDED INSTALLATION

The figure below shows the recommended configuration for the installation of a diaphragm pump.
Read the warnings and recommendations of the previous page before starting.

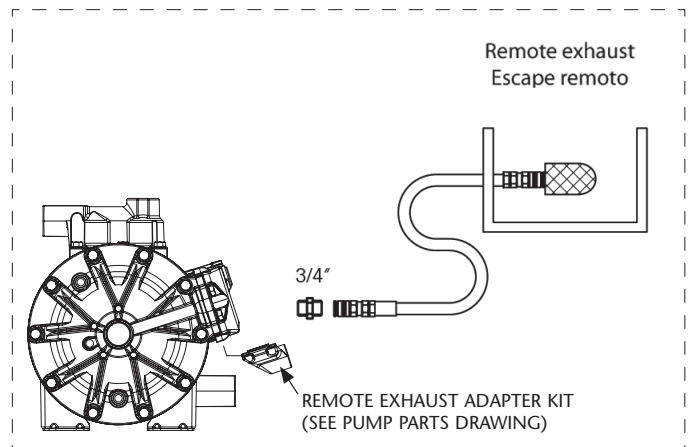
NON-METALLIC




AIR EXHAUST DISPOSAL

 **WARNING**

- Optional kit is required for remote exhaust.
- Unscrew the 4 bolts and remove the standard muffler (pos. 1-10, pos. 1-12) in pump part drawing.
- Place the remote exhaust adaptor (pos. 1-41), (remember to install the included o-ring on its housing, (1-40). Screw the four bolts (pos. 1-42) previously removed.
- Connect a hose to the new exhaust port and install the muffler at the end of the hose. Use a hose with the same diameter as the exhaust port 3/4" NPT. (If the hose is more than 1.5 m (5 feet), consult your local distributor or Samoa Industrial, S.A.).
- Have a moat, a protective housing, etc. at the end of the hose.



AIR CONNECTION

-  **WARNING:** To ensure that the air supply is sufficient to meet the demand of the pump, the diameter of the pipe must be equal to the diameter of the supply port of the pump. Choose auxiliary air treatment equipment and fittings with sufficient airflow to exceed the air consumption of the pump. In addition, peripheral air treatment equipment must be installed as close as possible to the pump unit. The use of a coupler to connect the hoses aids future operation and maintenance tasks.

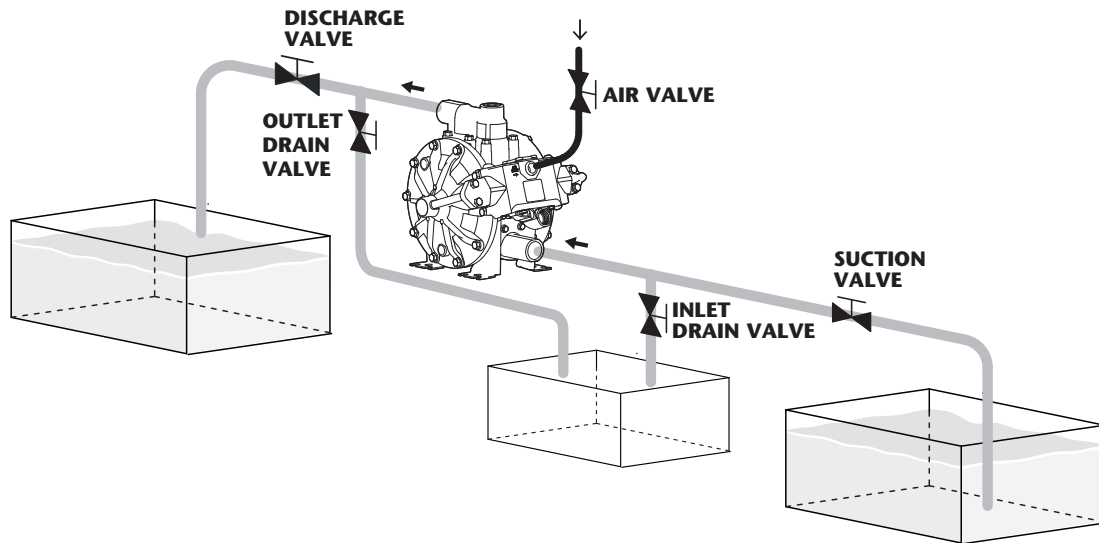
OPERATING INSTRUCTIONS

THIS PUMP IS SELF-PRIMING

To prime it the first time, you must connect the air pump supply to a low pressure using the pressure regulators while keeping the outlet valve open. When fluid begins to flow from the pump outlet, the pump is primed. For regulation of fluid pressure, the unit must be supplied with an air pressure between 1,5 and 8 bar (20 and 120 psi). Adjust the discharge valve on the discharge side to control flow. For the performance characteristics of the pump see the capacity curve.

STOPPING THE PUMP FOR MAINTENANCE TASKS

- Stop the air supply.
- Make sure for your safety that the air valve is closed.
- Close the discharge valve and the suction valve. Open inlet and outlet drain valves.
- Open the air valve of the pump, running bring on the pump and flushing the remaining fluid.
- Close the air valve.
- After ensuring that the pump was turned off and the pressure was released, pump is ready for its maintenance.



GROUNDING THE PUMP

When installing the pump, be sure to perform grounding in the specified location.

Also connect ground wires for the auxiliary equipment and piping.

Use a grounding cable of at least 12 gauge (2.0 mm²).

If the pump you have purchased is valid for Atex, a specific Atex manual will accompany this one. Read this manual before operating the pump.

If the unit is marked with the symbol Ex , it can be used in potentially explosive atmospheres. Below this symbol, in the nameplate of the pump, are indicated the areas for which the equipment is approved. You will also find the maximum allowable surface temperature in the same plate.

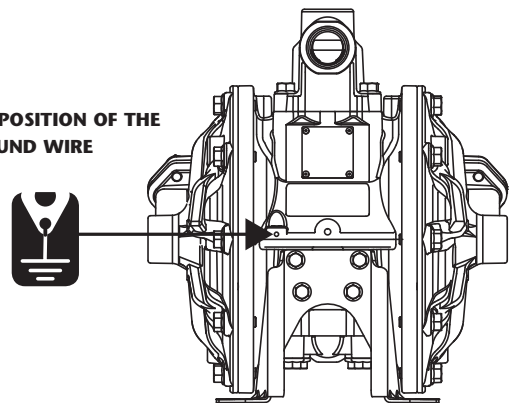


WARNING

Connect grounding wires to the pump, piping and all other equipment too.

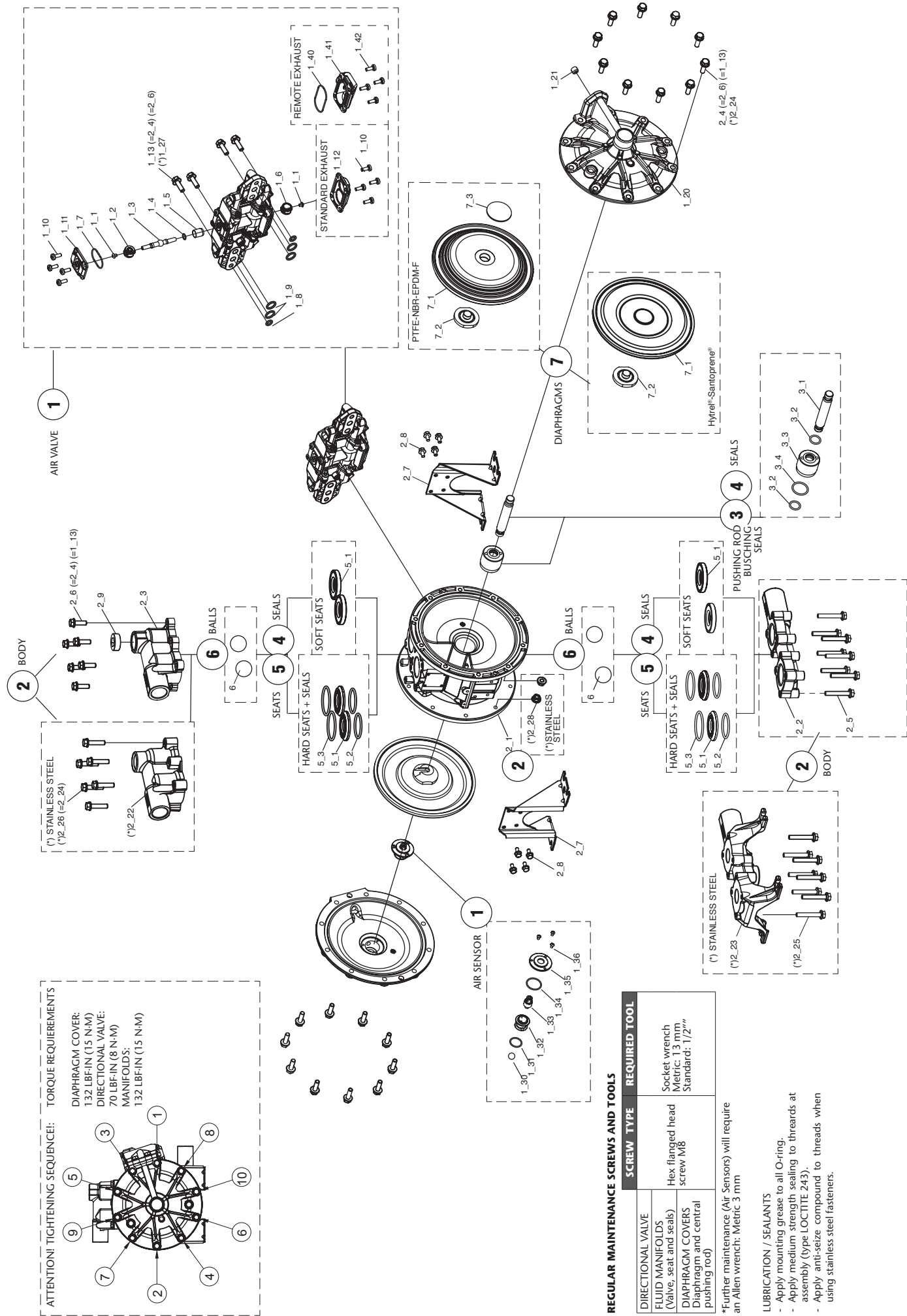
When the pump operates ungrounded or with an incorrect connection, friction between parts and abrasion caused by some fluids that flow inside the pump, can generate static electricity. Moreover, according to the type of fluid pump and the installation environment (such as gases in the air or the type of the surrounding facilities) static electricity can cause fire or electric shock.

THE POSITION OF THE GROUND WIRE



2021_12_15-12:00

METALLIC PUMP PARTS DRAWING



METALLIC PUMP

DP200	X	X	X	X	X	X	X	X	X	X	X
	1	2	3	4	5	6	7	8	9		
AIR VALVE A Aluminum	BODY PUMP A Aluminum S Stainless steel	PUSH ROD S Stainless steel	SEALS N NBR V FKM E EPDM T PTFE	SEATS S Stainless steel A Aluminum P Polypropylene N NBR M Santoprene® H Hytrel®	BALLS T PTFE C POM S Stainless steel N NBR	DIAPHRAGMS H Hytrel® T PTFE M Santoprene® N NBR	CONNECTIONS B BSP N NPT	OPCIONES A Standard pump B Remote exhaust kit included C Diaphragm leak detector D Cycle sensor E Externally controlled with solenoid valve (not included) F Nose muffler included G Externally controlled with solenoid valve (not included) and inductive end of stroke sensors NPN (included) I Externally controlled with solenoid valve (not included) and inductive end of stroke sensors ATEX-Namur (included) U Pump suitable for UV fluids			

1	AIR VALVE	
	AIR VALVE	REMOTE EXHAUST
A	POS 1_1 to 1_13 558525	POS 1_30 to 1_36 558527

2	CENTRAL BODY AND MANIFOLD		
	CENTRAL BODY	INLET MANIFOLD	OUTLET MANIFOLD
	POS 2_1	POS 2_2	POS 2_3
A	755123.001	BSP THREADS 755126.001	NPT THREADS 755125.001
S	855052	855054	855053 855053.300

3	PUSH ROD	
	SEALS	KIT CODE
S	V	558556
S	E	558557
S	T	558566
S	N	558554

4	SEATS VALVE REPAIR KIT	
	SEALS	KIT CODE
A	N	558539
A	V	558540
A	E	558541
A	T	558542
S	T	558551
N	N	558535
H	H	558552
M	M	558553

6	BALL VALVE REPAIR KIT	
	KIT CODE	NUMERICAL CODING 55XXXX
T	558529	-
C	558528	551010/555030
S	558530	-
N	558531	-

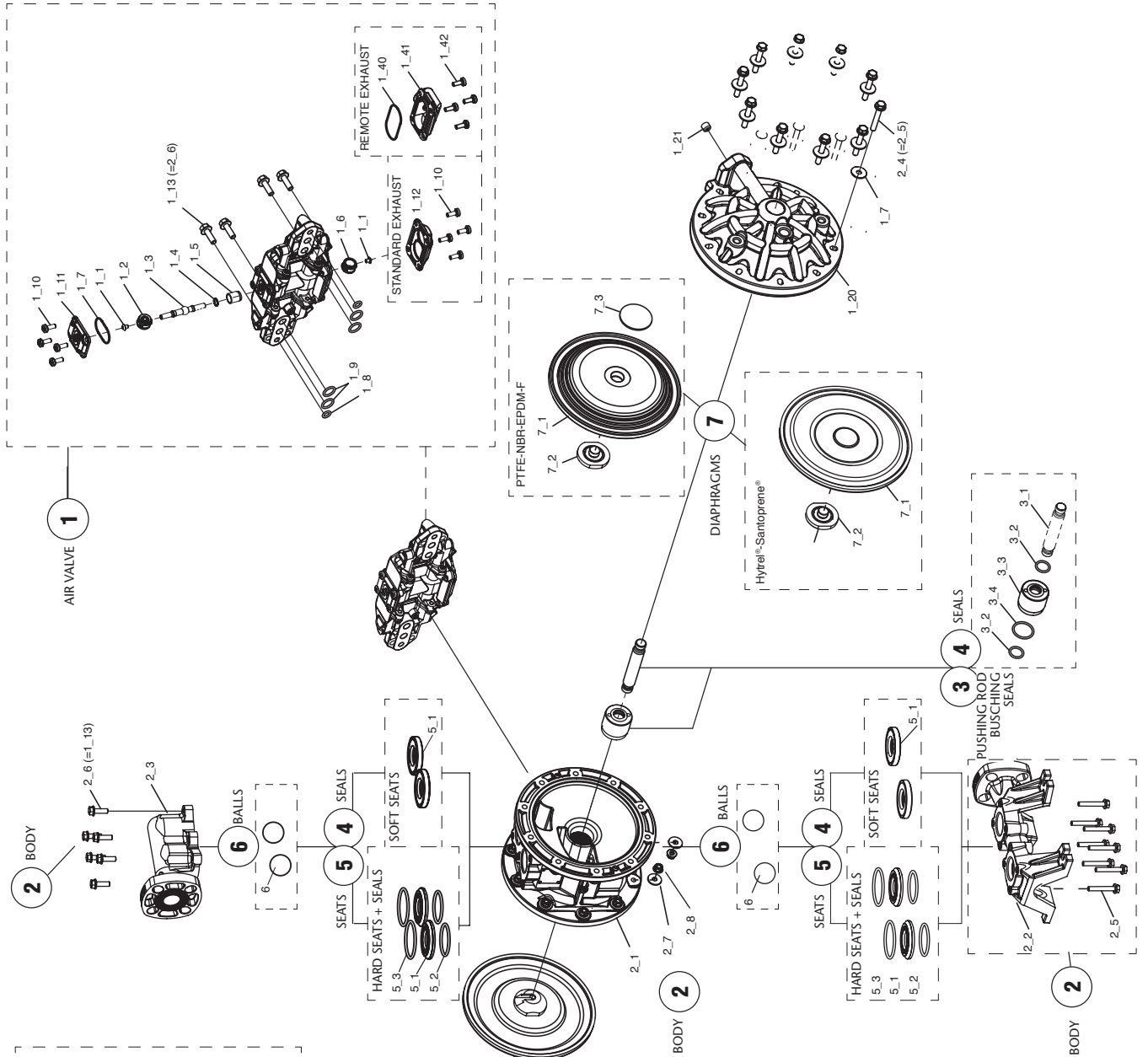
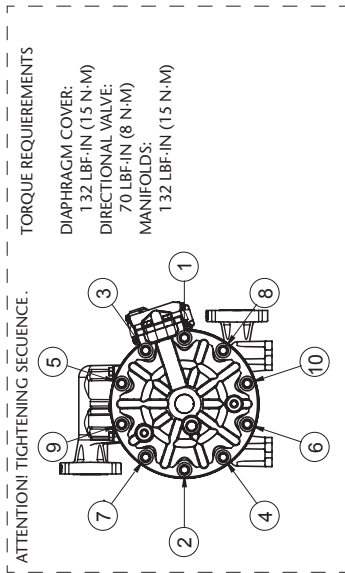
7	DIAPHRAGMS	
	KIT CODE	NUMERICAL CODING 55XXXX
H	558521	555010
M	558523	-
N	558561	555030
T	558522	-

TECHNICAL CHARACTERISTICS LABEL



MODEL: 55XXXX (numerical coding)
 DP200XXXXXXXXXX (alphanumeric coding)

NON-METALLIC PUMP PARTS DRAWING



REGULAR MAINTENANCE SCREWS AND TOOLS

DIAGNOSTIC	SCREW TYPE	REQUIRED TOOL
DIRECTIONAL VALVE	Hex flanged head screw M8	Socket wrench Metric: 13 mm Standard: 1/2"
FLUID MANIFOLDS (Valve, seat and seals)	Hex flanged head screw M8	Socket wrench Metric: 13 mm Standard: 1/2"
DIAPHRAGM COVERS (Diaphragm and central pushing rod)	Hex flanged head screw M8	Socket wrench Metric: 13 mm Standard: 1/2"

*Further maintenance (Air Sensors) will require an Allen wrench: Metric 3 mm

LUBRICATION / SEALANTS

- Apply mounting grease to all O-ring.
- Apply medium strength sealing to threads at assembly (type LOCTITE 243).
- Apply anti-seize compound to threads when using stainless steel fasteners.

NON-METALLIC PUMP

DP200	X	X	X	X	X	X	X	X	X	X	X
--------------	----------	----------	----------	----------	----------	----------	----------	----------	----------	----------	----------

1	2	3	4	5	6	7	8	9
AIR VALVE P Polypropylene	BODY PUMP P Polypropylene B Conductive PP W PVDF	PUSH ROD S Stainless steel Y Hastelloy® C	SEALS N NBR V FKM E EPDM T PTFE	SEATS P Polypropylene C POM W PVDF M Santoprene® H Hytrel®	BALLS T PTFE C POM S Stainless steel N NBR	DIAPHRAGMS H Hytrel® T PTFE M Santoprene® N NBR	CONNECTIONS F Flange	OPTIONS A Standard pump B Remote exhaust kit included C Diaphragm leak detector D Cycle sensor E Externally controlled with solenoid valve (not included) F Nose muffler included G Externally controlled with solenoid valve (not included) and inductive end of stroke sensors NPN (included) I Externally controlled with solenoid valve (not included) and inductive end of stroke sensors ATEX-Namur (included) U BPump suitable for UV fluids

1	AIR VALVE	AIR SENSORS	REMOTE EXHAUST
P	POS 1_1 a 1_13 558525	POS 1_30 a 1_36 558527	POS 1_40 a 1_42 558562

2	CENTRAL BODY	CENTRAL BODY AND MANIFLOD	OUTLET MANIFLOD
P	POS 2_1 755552	POS 2_2 BRIDA DIN/ANSI 896642	POS 2_3 BRIDA DIN/ANSI 755560
B	755553	896643	894637
W	755556	896646	755561

3	PUSH ROD	SEALS	CÓD. KIT	PUSH ROD REPAIR KIT	NUMERICAL CODING 55XXXX
S	ATEX PUMP 558556	V	NO ATEX PUMP 558555	-	555164
S	558557	E	558558	-	-
S	558566	T	558560	-	-
Y		T	558559	-	-

4	SEALS	KIT CODE	SEATS VALVE REPAIR KIT	NUMERICAL CODING 55XXXX
P	V	558544	-	555164
P	E	558545	-	-
P	T	558546	-	-
C	V	558536	-	-
C	E	558537	-	-
C	T	558538	-	-
W	T	558548	-	-
H	-	558552	-	-
M	-	558553	-	-

6	BALLS VALVE REPAIR KIT	KIT CODE	NUMERICAL CODING 55XXXX
T		558529	555164
C		558528	-
S		558530	-
N		558531	-

7	DIAPHRAGMS	KIT CODE	NUMERICAL CODING 55XXXX
H		558521	555164
M		558523	-
N		558561	-
T		(1) 558522 (2) 558567	-

(1) For pump fitted with stainless steel central pushing rod.
(2) For pump fitted with hastelloy® C central pushing rod.

TECHNICAL CHARACTERISTICS LABEL



MODEL: 55XXXX (numerical coding)
DP200XXXXXXXXXX (alphanumeric coding)

CAUSE	RECOMMENDED MEASURE
THE PUMP DOES NOT WORK	
The discharge valve on the discharge side is not open.	Open the discharge valve on the discharge side.
No air supply.	Turn on the compressor and open the air valve and air regulator.
The air supply pressure is low.	Check the compressor and the configuration of the air line.
Air leaks in connecting elements.	Check the connection elements and the tightening of the screws.
The air pipes or ancillary equipment is clogged with mud.	Check and clean the air line.
The exhaust port (muffler) of the pump is clogged with mud.	Check and clean the exhaust port and muffler.
The fluid pipe is clogged with mud.	Check and clean the fluid line.
Pump is clogged with mud.	Remove, inspect and clean the pump body.
THE PUMP RUNS BUT NO FLUID COMES OUT	
The valve on the suction side is not open.	Open the valve on the suction side.
Too much suction or discharge height.	Confirm the configuration of the pipe and reduce the height of the same.
Fluid pipe discharge side (including the filter) is clogged with mud.	Check and clean the fluid line.
Pump is clogged with mud.	Dismantle the pump, check and clean.
The ball and ball seat is worn or damaged.	Inspect and replace parts.
THE FLOW IS DECREASING	
The air supply pressure is low.	Check the compressor and the configuration of the air line.
The air line or peripheral equipment clogged with mud.	Check and clean the air line.
Valve discharge side drive will not open normally.	Adjust the discharge valve discharge side.
The air mixes with the fluid.	Replenish fluid and check the configuration of the pipe on the suction side.
Cavitation occurs.	Adjust air supply pressure and discharge pressure and reduce the suction.
Vibrations.	Adjust air supply pressure and discharge pressure. Reduce the flow of the inlet valve to adjust pressure and volume of fluid.
Ice formation in the air exhaust.	Remove ice from the air bypass valve and check and clean the air filter. Use a pipe in the exhaust air that the ice does not form in the muffler.
The fluid line (including the filter) plugged with mud.	Check and clean the fluid pipe and strainer.
The exhaust port (muffler) of the pump is clogged with mud.	Check and clean the exhaust port and muffler.
Pump is clogged with mud.	Remove, inspect and clean the pump body.
LEAKAGE OF FLUID THROUGH THE HOLLOW EXHAUST (SILENCER)	
The diaphragm is damaged.	Remove and inspect the pump and replace the diaphragm.
IRREGULAR NOISE	
The air supply pressure is too high.	Adjust air supply pressure.
The pump is clogged with sludge particles larger than the diameter allowed.	Remove, check and clean the pump body.
IRREGULAR VIBRATION	
The elements of connection and the support of the pump are loose.	Review each element of connection and tighten the screws.
The air supply pressure is too high.	Adjust air supply pressure.
The range and ball valve vibrates.	Adjust air supply pressure and exhaust pressure.
IN FLUID WITH AIR BUBBLES	
Diaphragm damaged.	Replace diaphragm.
Suction hose loose or broken.	Tighten or replace.
POWERED AIR LEAK PRESSURE OF 1,5 TO 8 BAR (20 TO 120 PSI)	
Wear air valve.	Replace air valve.
NO START-UP AND IS LEAKING AIR WITHOUT CYCLES	
Stiff air sensors.	Change air sensor.
Wear air valve.	Replace.

REPAIR AND MAINTENANCE PROCEDURES

TORQUES NECESSARY FOR THE PROPER FUNCTIONING OF THE PUMP

For proper operation of the pump and to prevent accidents which may damage equipment and in the worst case, people, you must periodically review the torques of the diaphragms covers and the DIRECTIONAL VALVE. In the next table are shown the appropriate torques for this purpose:

TORQUES DP200	Diaphragm cover	132 lbf-in (15 N·m)
	Directional valve	70 lbf-in (8 N·m)
	Manifolds	132 lbf-in (15 N·m)

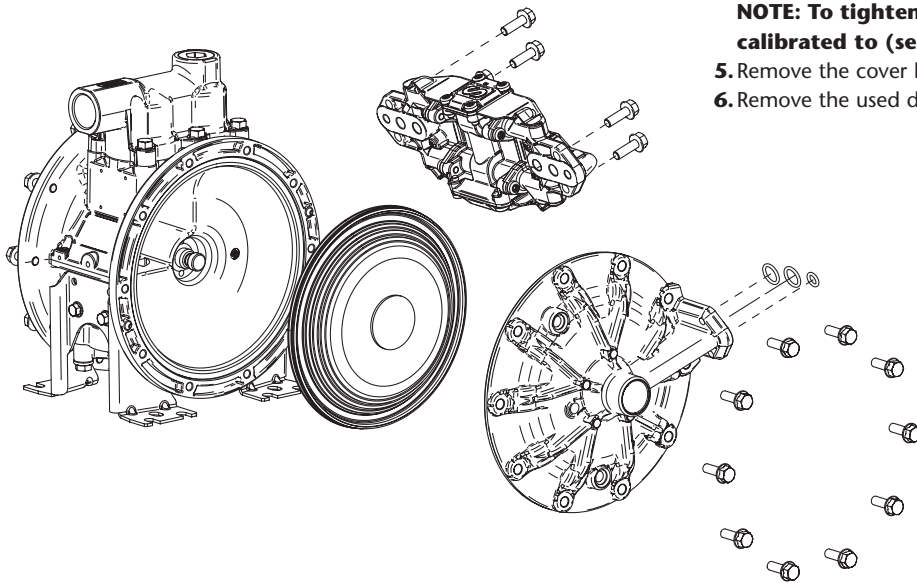
CAUTION! DO NOT OVERTIGHTEN FASTENERS.

DIAPHRAGM MAINTENANCE

Before any intervention: DISCONNECT AIR SUPPLY OF THE PUMP.
IT IS NOT NECESSARY TO REMOVE THE PUMP FROM THE FLUID LINE.
ANTICIPATE A POSSIBLE LEAKAGE OF FLUID INSIDE THE PUMP.

REMOVING THE DIAPHRAGM:

1. Close inlet and discharge fluid valves.
2. Drain the fluid inside the pump.
3. Remove the directional valve while being careful not to damage the seals between air valve and diaphragm.
4. Remove the diaphragm cover screws.
NOTE: To tighten these screws you must use a torque wrench calibrated to (see torque table in this page).
5. Remove the cover by gently pulling back.
6. Remove the used diaphragms.



NOTE: Be careful to not lose the seals between valve and diaphragm cover.

INSTALLING THE NEW DIAPHRAGMS - ASSEMBLING PROCEDURE

CAUTION! Follow next procedure to ensure the diaphragms are correctly installed. If not followed diaphragm bead could be extruded out of its housing with the resulting damage over the diaphragm bead and thus possible fluid leaks or premature diaphragm failure.

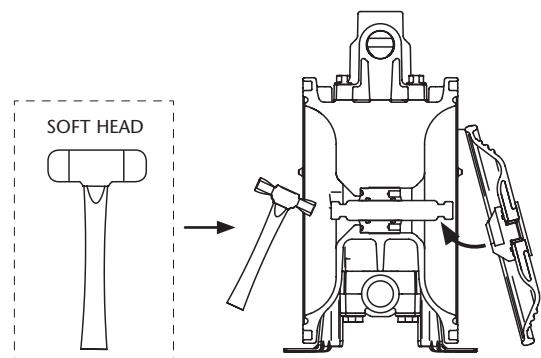
1. **PREPARING THE CENTRAL ROD FOR DIAPHRAGM INSTALLATION**
Using a soft head hammer displace the central rod out of the body enough to install the diaphragm without deforming it.

Avoid install the diaphragm without preparing the central rod in its proper position. Diaphragm bead could be damaged when installing diaphragm cover.

CAUTION!

1. Correct assembly of the diaphragm before the diaphragm cover assembly.

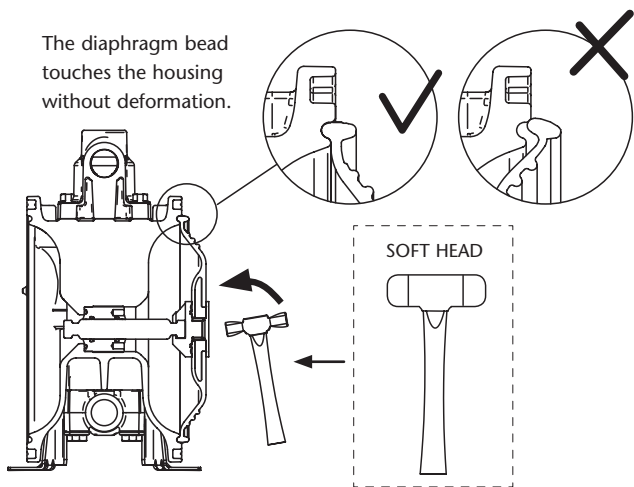
2. Incorrect assembly of the diaphragm. Possible damage when assembling the diaphragm cover.



2021_12_15-12:00

2. FIRST DIAPHRAGM ALIGNMENT

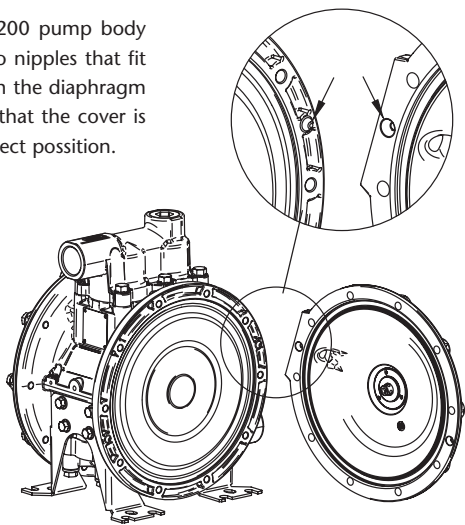
Using the soft head hammer, again align the diaphragm bead until the bead touches the housing without deformation.



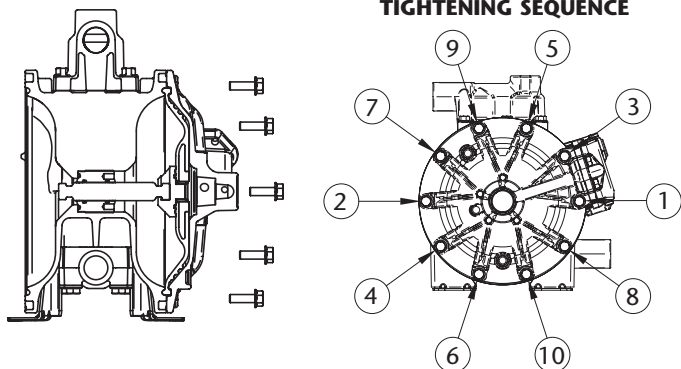
3. DIAPHRAGM COVER INSTALLATION

Place the diaphragm cover and approximate it using the bolts (follow the TIGHTENING SEQUENCE). Once approximated, torque @132 lbf-in (15 N-m).

CAUTION!: DP200 pump body is fitted with two nipples that fit with two holes in the diaphragm cover to ensure that the cover is placed in its correct position.

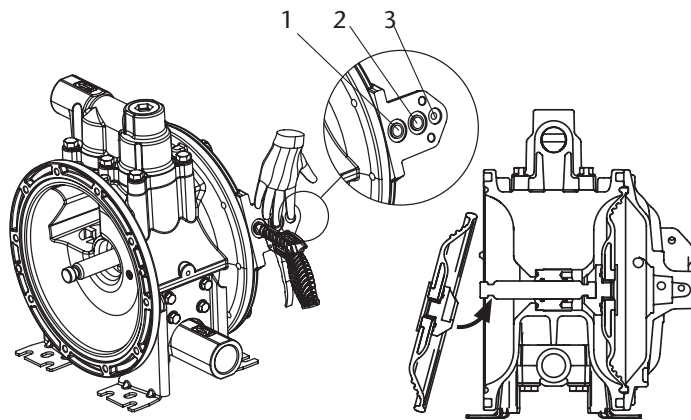


TIGHTENING SEQUENCE



4. CENTRAL ROD RELEASE FOR SECOND DIAPHRAGM ALIGNMENT

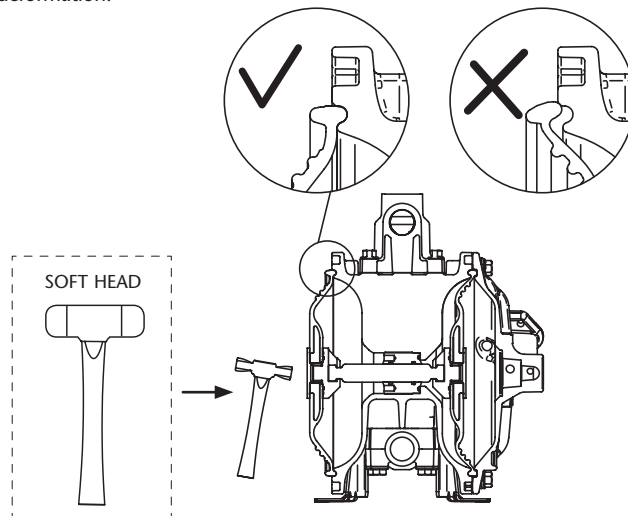
Using an air gun fed with 1bar (15psi) maximum air pressure, inject air in the air chamber of the diaphragm cover trough the hole n°1 meanwhile closing the holes n°2 and n°3 . Compressed air will push out the central rod allowing the diaphragm installation without deformation.



When we hole n°1 is feed with compressed air while closing n°2 and n°3 air enters in the chamber, displacing the central rod and allowing to install the diaphragm.

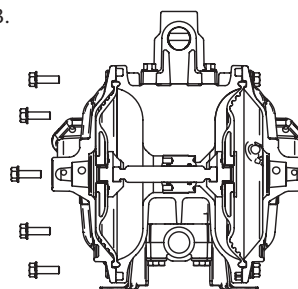
5. SECOND DIAPHRAGM ALIGNMENT

Install the remaining diaphragm and again, using the soft head hammer, align the diaphragm bead until the bead touches the housing without deformation.



6. SECOND DIAPHRAGM COVER INSTALLATION

Follow same procedure as for the first diaphragm cover described in point n°3.



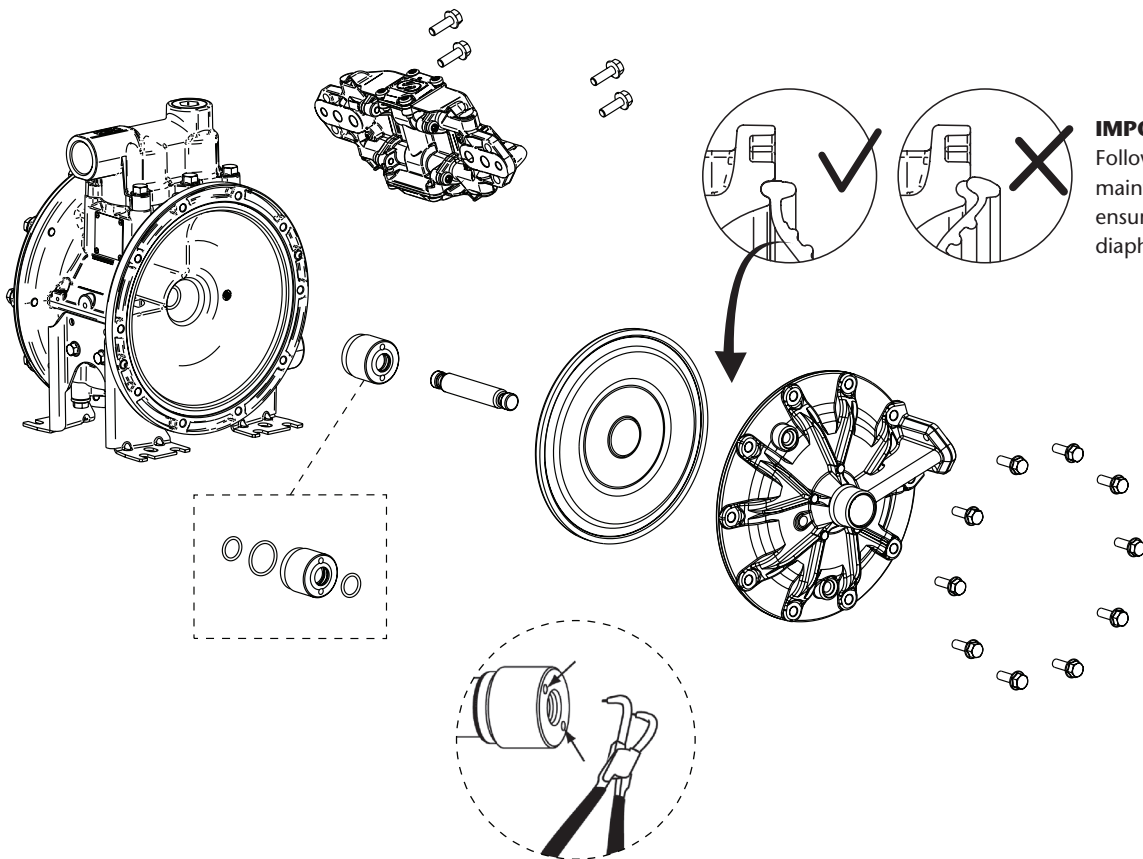
2021_12_15-12:00

REPAIR AND MAINTENANCE PROCEDURES

PUSHING ROD/CENTRAL BUSHING AND SEAL MAINTENANCE

NOTE: Central pushing rod is placed between pump diaphragms.

1. Remove the diaphragms cover on the right side (looking at the pump by the identification plate) as shown in the figure, following the procedure to "Replace diaphragms".
2. Remove the shaft from its housing by pulling it from one end.
The Teflon® sleeve is threaded into the body. To remove use snap ring pliers in the two holes indicated in the figure.
3. Once the sleeve has been removed, remove the O-ring inside the pump body.
4. Replace the kit following the correct order shown in the assembly drawing. The O-ring between the body and the sleeve may fall during installation, apply mounting grease to attach the O-ring to the sleeve during threading.
Reassemble the pump in reverse order.



IMPORTANT:
Follow the diaphragm maintenance procedure to ensure no damage in the diaphragm during its assembly.

BALL VALVES AND SEATS MAINTENANCE

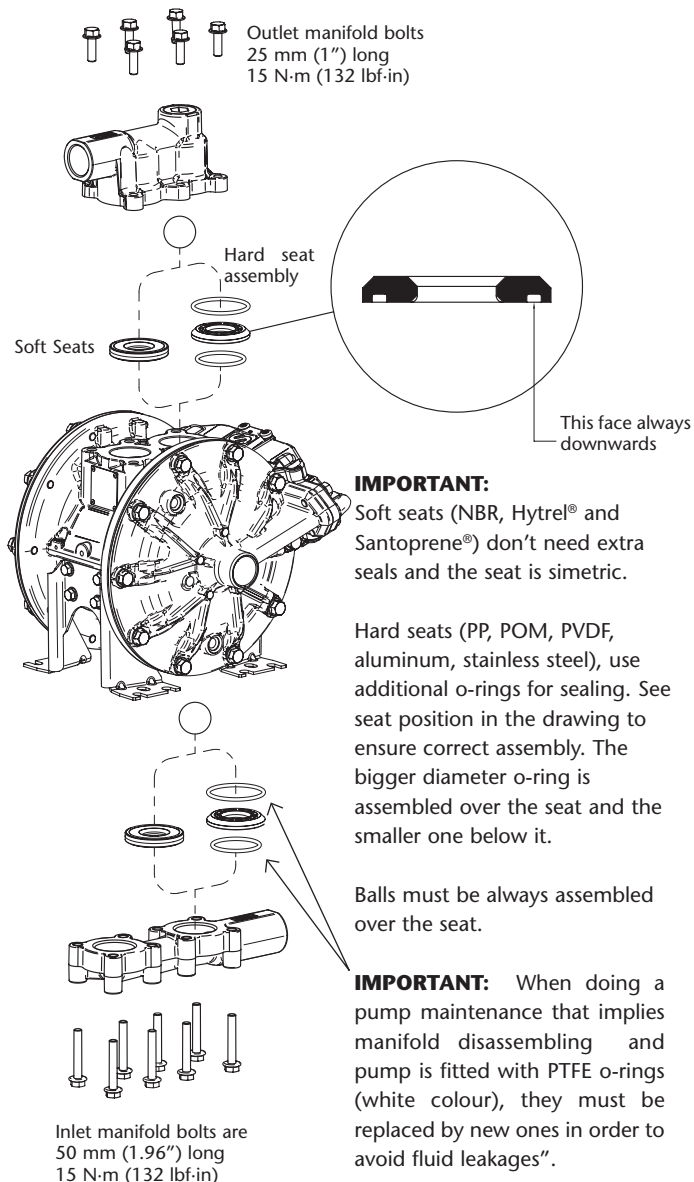
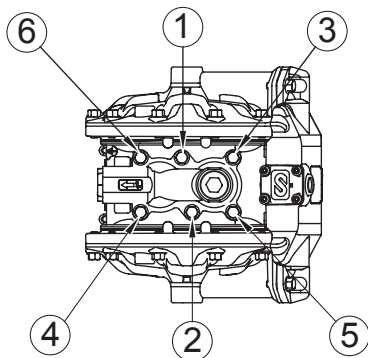
1. Close fluid valves.
 2. Drain the fluid from inside the pump. Anticipate a drainage of fluid from inside the pump.
 3. Remove the inlet and outlet manifolds. Take note of the orientation of the manifolds.
 4. Install a new set of valves or seats according to these assembly drawings. Tighten the manifold bolts with a maximum torque of 132 lbf-in (15 N·m).
- IMPORTANT:** Always approximate manifold bolts before final tightening.
5. Assemble the directional valve being careful not to damage the O-rings and tighten the screws with a maximum torque of 70 lbf-in (8 N·m).

CAUTION!

CAUTION WHEN USING PIPE SEALS

DP200 pumps manifold fitted with PTFE (Teflon®) O-ring should be tightened followy the shown sequence.

Alway tighten bolt (1) and (2), firstly to avoid damage the manifold and the seals.



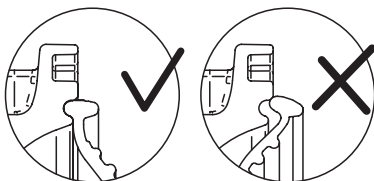
AIR SENSOR MAINTENANCE

The air sensors are on the inside part of the diaphragm covers.
To access them, follow the procedure for "Replacing diaphragms".

Once removed the covers following procedure:

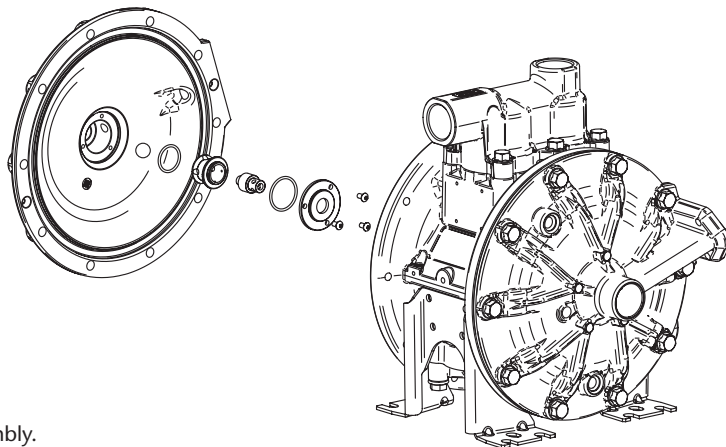
1. Remove the three screws that secure the air sensor to the top.
2. Remove all components of the sensor. Clean the area.
3. Introduce new components in the order shown.
4. Fit the remaining components in reverse order. Fit the side cover and tighten the screws.

AIR SENSOR KIT: 558527



IMPORTANT:

Follow the diaphragm maintenance procedure to ensure no damage in the diaphragm during its assembly.



ADVERTENCIAS Y PRECAUCIONES

En este documento usted encontrará advertencias y precauciones para la instalación, uso y mantenimiento de las bombas. A continuación le indicamos el significado de los símbolos y mencionamos unas advertencias generales que usted debe tener en cuenta.

! **ADVERTENCIA:** Este símbolo alerta de que si no se siguen las instrucciones indicadas se puede producir una situación de lesión grave o muerte.
! **ATENCIÓN:** Este símbolo alerta de daños o destrucción del equipamiento si no se siguen las instrucciones.

! **ADVERTENCIA: ¡Lea atentamente el manual de instrucciones y sus advertencias antes de empezar a operar con el equipo!**

- Este equipo es únicamente para uso profesional.
- No altere la integridad del equipo. Use solamente componentes originales de Samoa Industrial, S.A.
- Los fluidos no adecuados para la bomba pueden causar daños a la unidad de la bomba e implicar riesgo de graves daños personales. Consulte siempre al distribuidor de Samoa Industrial, S.A. si se tiene alguna duda sobre la compatibilidad de los fluidos con los materiales de la bomba, incluyendo los elastómeros.
- Instale y use siempre la bomba según la normativa y la legislación sanitaria y de seguridad, tanto local como nacional.
- La bomba puede producir presiones de fluido iguales a la presión de alimentación del aire. No exceder la presión máxima permitida de alimentación de aire de 8 bar (120 psi). La presión hidráulica total (presión del sistema + presión diferencial) no deberá exceder nunca 8 bar (120 psi).
- No utilice nunca una bomba que tenga fugas o daños, esté corroída o de otra forma carezca de la capacidad para contener el fluido interno o la presión del aire.
- Comprobar con frecuencia que los tornillos de las tapas de la bomba están correctamente apretados.
- No use modelos cuya parte húmeda esté basada en aluminio para bombear productos de consumo humano, es posible que existan trazas de plomo.
- Peligro de explosión si se usa 1,1,1-tricloroetano, cloruro de metileno u otros disolventes de hidrocarburos halogenados en sistemas de fluido a presión que tengan componentes de aluminio en la parte de fluido. Podría causar graves daños materiales y personales incluso mortales.
- En el interior de la bomba, dos membranas separan el fluido bombeado de la alimentación de aire. Si se rompe una membrana, el fluido puede salir proyectado por el orificio de evacuación de aire.
- Cuando se manejen fluidos peligrosos, conecte siempre el orificio de evacuación de aire a un recipiente adecuado y situado en un lugar seguro. (Sistema de conexión opcional a petición del cliente. No se suministra con el equipo).
- Cuando la fuente de producto se encuentre a un nivel más elevado que la bomba (aspiración inundada), la impulsión deberá ser dirigida por un tubo a un nivel más alto que el producto para impedir los derrames causados por derivación sifónica.
- En las bombas que manejen fluidos peligrosos para las personas o el medio ambiente, se debe instalar algún tipo de recipiente o contenedor para recoger posibles fugas y evitar su derrame.
- Asegúrese de que el operario de este equipo esté formado en cuanto a la operación, limitaciones y uso de equipamiento de seguridad como gafas de seguridad u otro equipamiento requerido.

DESCRIPCIÓN

La bomba de membrana neumática es una bomba aspirante e impelente de desplazamiento positivo, accionada por aire y con dos cámaras de bombeo. Dos membranas ubicadas centralmente en las cámaras, separan el aire comprimido (lado seco) del fluido bombeado (lado húmedo). Las membranas están conectadas entre sí mediante un eje flotante cuyo funcionamiento permite la minimización del flujo pulsante. Una válvula (motor neumático) distribuye el aire de una cámara a la otra alternativamente, produciendo así un movimiento recíproco de las membranas.

En cada embolada, una de las membranas desplaza el fluido, mientras que la membrana opuesta aspira nuevo fluido al interior de la cámara de expansión. Cuatro válvulas de bola, dos en el lado de aspiración y dos en el lado de impulsión, controlan y dirigen el flujo del fluido.

MATERIALES	TEMPERATURA DE TRABAJO
PTFE	5 °C - 105 °C / 41 °F - 221 °F
NBR	10 °C - 80 °C / 50 °F - 176 °F
Acetal	10 °C - 90 °C / 50 °F - 194 °F
Hytrel®	10 °C - 90 °C / 50 °F - 194 °F
Neopreno	-18 °C - 93 °C / 0 °F - 200 °F
Santoprene®	-29 °C - 135 °C / -20 °F - 275 °F
Viton®	-10 °C - 177 °C / -4 °F - 351 °F
Polipropileno	10 °C - 80 °C / 50 °F - 176 °F

INSTALACIÓN

RECOMENDACIONES INSTALACIÓN

- Retire la bomba de la caja e instálela en el lugar elegido.
- Trate de reducir al mínimo la altura de aspiración.
- Recuerde disponer de espacio suficiente alrededor de la bomba para realizar las tareas de mantenimiento.
- Tenga siempre en cuenta usar correctamente la entrada y la salida de la bomba.
- En caso de fallo del diafragma el escape de aire de la bomba puede contener el producto bombeado.
- Cuando la bomba se instala en un lugar en el que pueda tener lugar un impacto en el medio ambiente, el escape debe orientarse hacia un lugar donde no haya impacto ambiental.
- Cuando instale la bomba en su lugar, utilice los soportes en la base y asegure la bomba fijándola con los tornillos de amarre.
- Apriete todos los tornillos con el par recomendado en este manual.

LAS BOMBAS DP SON MUY FLEXIBLES Y FÁCILES DE INSTALAR INUNDADA

INUNDADA

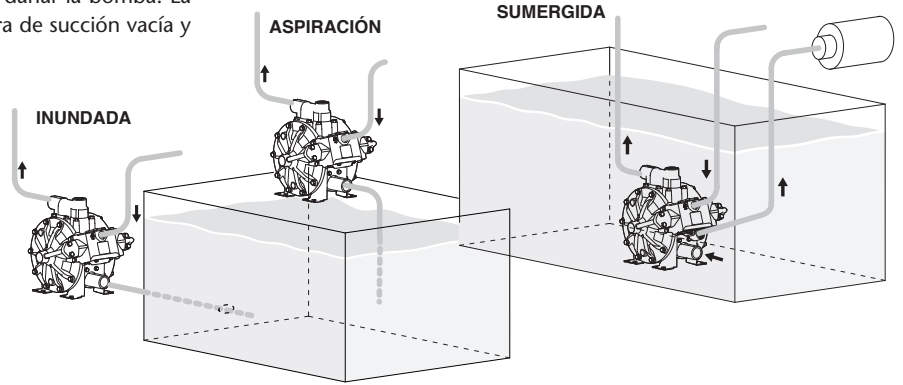
El sistema de bombeo se diseñó para presión positiva en la aspiración. Esta es la mejor forma de instalación cuando se necesite evacuar todo el líquido del bidón o depósito, o cuando se trabaje con fluidos viscosos. No recomendada para fluidos peligrosos.

ASPIRACIÓN:

La bomba DP está diseñada para generar vacío en la aspiración. Es posible evacuar todo el aire de una manguera o tubería sin dañar la bomba. La altura máxima de succión es de 5 m con la manguera de succión vacía y hasta 8 m con la manguera cebada.

SUMERGIDO:

Todas las bombas DP se pueden sumergir en los fluidos. Es importante que verifique que todos los componentes que están en contacto con el fluido son químicamente compatibles. En este caso, las salidas de aire y fluido deben ser conducidas al exterior mediante mangueras. (Sistema de conexión de aire opcional).



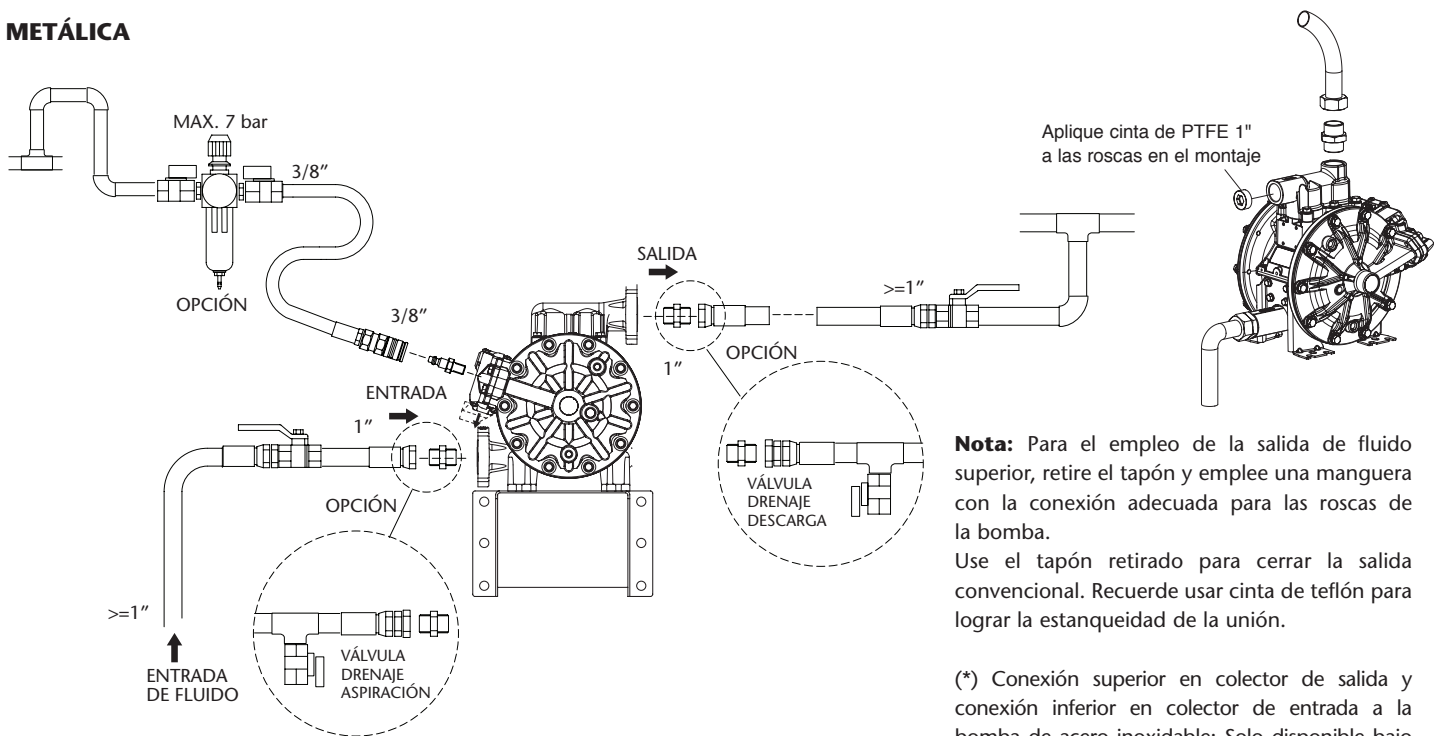
NOTA: Utilice un regulador de presión con filtro incorporado en la entrada de aire.

NOTA: La presión de alimentación de aire debe estar comprendida entre 1,5 bar (20 psi) y 8 bar (120 psi).

INSTALACIÓN RECOMENDADA

El esquema de abajo muestra la configuración de la instalación recomendada para una bomba de diafragma. Lea las advertencias y recomendaciones de la página anterior antes de realizar dicha instalación

METÁLICA



Nota: Para el empleo de la salida de fluido superior, retire el tapón y emplee una manguera con la conexión adecuada para las roscas de la bomba. Use el tapón retirado para cerrar la salida convencional. Recuerde usar cinta de teflón para lograr la estanqueidad de la unión.

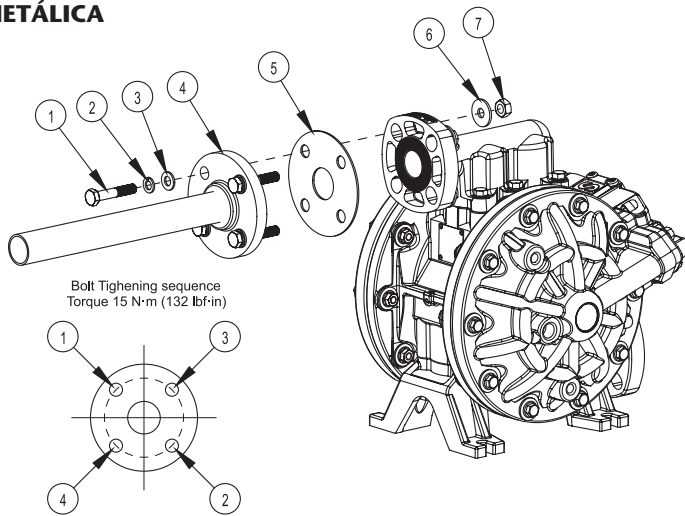
(*) Conexión superior en colector de salida y conexión inferior en colector de entrada a la bomba de acero inoxidable: Solo disponible bajo pedido especial (Pregunte a Samoa Industrial, S.A. o su distribuidor local).

2021_12_15-12:00

INSTALACIÓN

INSTALACIÓN RECOMENDADA

NO-METÁLICA



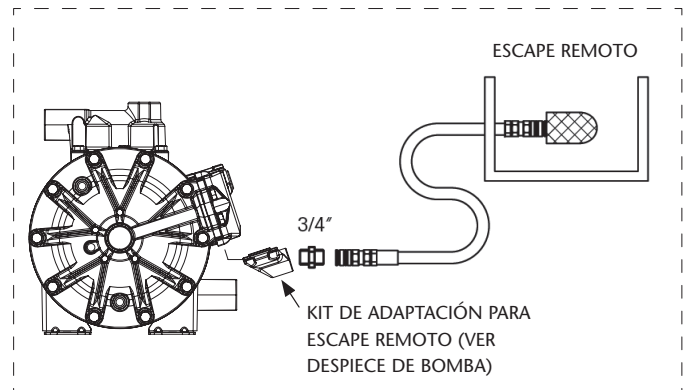
Bolt Tightening sequence
Torque 15 N·m (132 lbf·in)

Nº	DESCRIPCIÓN	Qty.
1	Tornillos	4
2	Resorte arandela de bloqueo	4
3	Arandelas planas	4
4	Brida de tubería estándar	1
5	Empaquetadura	1
6	Arandelas planas	4
7	Tuercas	4

DISPOSICIÓN DEL ESCAPE EXTERIOR

⚠ ADVERTENCIA

- Es necesario el kit opcional de salida conducida.
- Retire los 4 tornillos y el silenciador que acompaña la bomba (pos. 1-10 y pos 1-12 en la sección de recambios).
- Coloque el adaptador de silencioso o remoto, (pos. 1-41). Recuerde instalar la junta incluida en el kit (1-40). Atornille de nuevo los 4 tornillos (1-42).
- Conecte esa manguera al adaptador e instale un silencioso al otro lado de la manguera. Use esa manguera con el mismo diámetro de manguera y conexiones de 3/4" NPT.
- Disponga un foso, una caja de protección, etc. en el extremo de la manguera.



CONEXIÓN TOMA DE AIRE

⚠ ADVERTENCIA

Para que el suministro de aire sea suficiente para satisfacer la demanda de la bomba, el diámetro de la tubería debe ser igual al diámetro del orificio de suministro de la bomba. También elija equipos auxiliares y materiales con suficiente flujo de aire para el consumo de aire de la bomba. También considere el uso y la estabilidad de la presión de aire. Además, el equipo periférico debe estar instalado lo más cerca posible de la unidad de la bomba.

El uso de un acoplador para conectar cada manguera facilita la operación y las tareas de mantenimiento.

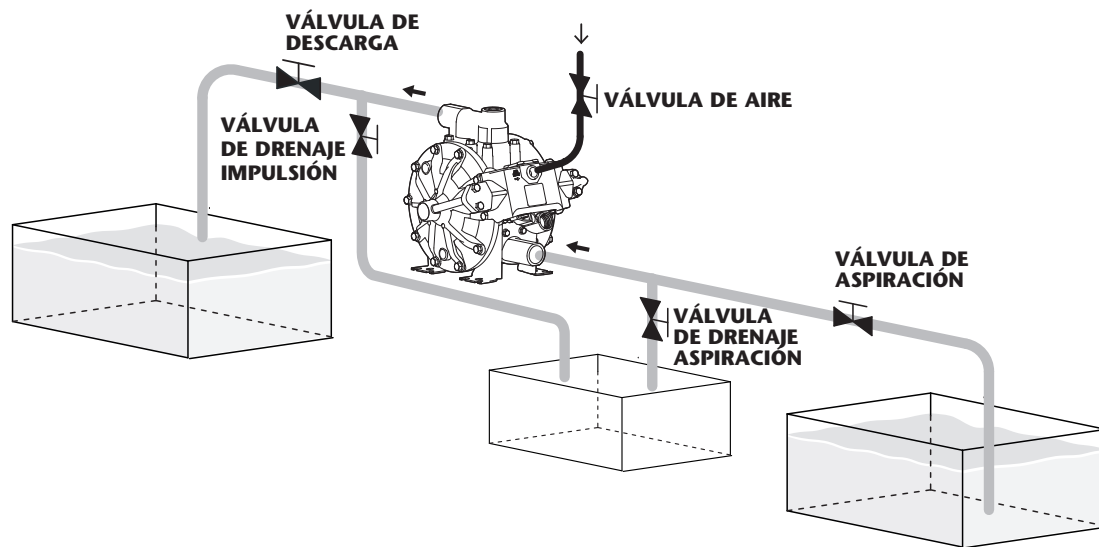
2021_12_15-12:00


ESTA BOMBA ES AUTO-CEBANTE.

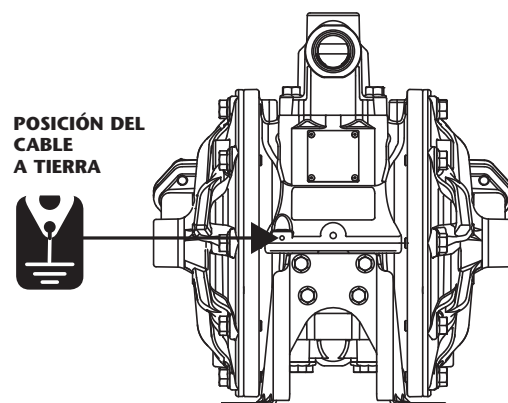
Para cebarla la primera vez, es conveniente conectar el aire a la bomba a baja presión con el regulador de presión, manteniendo la válvula de salida abierta. Cuando el fluido empieza a salir, la bomba está cebada. Para su regulación mediante presión de fluido se debe alimentar con presión de aire comprendida entre 1,5 y 8 bar (20 - 120 psi). Ajuste la válvula de impulsión en el lado de descarga. Para la relación entre el flujo, la presión de suministro de aire y la presión de descarga, vea la curva de capacidad.

PARADA DE LA BOMBA PARA TAREAS DE MANTENIMIENTO

- Corte el suministro de aire.
- Compruebe por su seguridad que la válvula de aire de la bomba esté cerrada.
- Cierre las válvulas de aspiración y descarga. Abra las válvulas de drenaje (aspiración e impulsión).
- Abra la válvula de aire de la bomba, ponga en funcionamiento la bomba y descargue el fluido remanente.
- Cierre la válvula de aire.
- Asegúrese de que la bomba se ha detenido y no existe presión en las líneas de fluido. La bomba está lista para el mantenimiento.

**CONEXIÓN A TIERRA**

- Cuando instale la bomba, asegúrese de realizar la conexión a tierra en el lugar especificado.
- Conecte también conductores a tierra para los equipos auxiliares y las tuberías.
- Utilice un cable con conexión a tierra de por lo menos 2,0 mm².
- Si la bomba que ha adquirido es válida para ATEX, a este manual lo acompañará uno específico para ATEX. Lea este manual antes de operar con la bomba.
- Si la bomba viene marcada con el símbolo , esta puede ser usada en atmósferas potencialmente explosivas. Debajo de este símbolo, en las placas de identificación de la bomba, vienen indicadas las zonas para las que el equipo está aprobado. Encontrará también la temperatura de superficie máxima permitida en la placa de su bomba.

**ADVERTENCIA:**

Asegúrese de conectar conductores a tierra para la bomba, tuberías y otros equipos conectados.

Cuando la bomba opera sin conexión a tierra o con una conexión incorrecta, la fricción entre las piezas y la abrasión causada por algunos fluidos que fluyen dentro de la bomba pueden generar electricidad estática. Además, según el tipo de fluido a bombear y el ambiente de la instalación (como gases en el aire o el tipo de las instalaciones circundantes) la electricidad estática puede ser causa de incendio o choque eléctrico.

POSIBLES AVERÍAS Y SOLUCIONES

CAUSA	MEDIDA A TOMAR
LA BOMBA NO FUNCIONA	
La válvula de impulsión en el lado de descarga no está abierta.	Abra la válvula de impulsión en el lado de descarga.
No llega aire.	Encienda el compresor y abra la válvula de aire y el regulador de aire.
La presión de suministro de aire es baja.	Revise el compresor y la configuración de la tubería de aire.
Fugas de aire en elementos de conexión.	Revise los elementos de conexión y el apriete de los tornillos.
La tubería de aire o el equipo auxiliar está obstruido con lodo.	Revise y limpie la tubería de aire.
El orificio de escape (silenciador) de la bomba está obstruido con lodo.	Revise y limpie el orificio de escape y el silenciador.
La tubería de fluido está obstruida con lodo.	Revise y limpie la tubería de fluido.
La bomba está obstruida con lodo.	Desmonte, revise y limpie cuerpo de la bomba.

LA BOMBA FUNCIONA PERO EL FLUIDO NO SALE	
La válvula en el lado de succión no está abierta.	Abra la válvula en el lado de succión.
Demasiada altura de aspiración o altura de descarga.	Confirme la configuración de la tubería y reduzca la altura de la misma.
La tubería de fluido del lado de descarga (incluido el filtro) está obstruida con lodo.	Revise y limpie la tubería de fluido.
La bomba está obstruida con lodo.	Desmonte la bomba, revísela y límpiela.
Las bolas y el asiento de la bola están desgastados o dañados.	Revise y reemplace piezas defectuosas.

EL FLUJO ESTÁ DISMINUYENDO	
La presión de suministro de aire es baja.	Revise el compresor y la configuración de la tubería de aire.
La tubería de aire o el equipo periférico está obstruido con lodo.	Revise y limpie la tubería de aire.
La válvula de impulsión del lado de descarga no se abre normalmente.	Ajuste la válvula de impulsión del lado de descarga.
El aire se mezcla con el fluido.	Vuelva a llenar de fluido y revise la configuración de la tubería del lado de succión.
Se produce cavitación.	Ajuste la presión de suministro de aire y la presión de descarga y reduzca la altura de aspiración.
Se producen vibraciones.	Ajuste la presión de suministro de aire y la presión de descarga. Disminuya el flujo de la válvula de entrada para ajustar la presión y el volumen de fluido.
Formación de hielo en el escape de aire.	Elimine el hielo de la válvula de desvío de aire y revise y limpie el filtro de aire. Utilice una tubería en el escape de aire para que el hielo no se forme en el silenciador.
La tubería de fluido (incluido el filtro) está obstruida con lodo.	Revise y limpie la tubería de fluido y el filtro.
El orificio de escape (silenciador) de la bomba está obstruido con lodo.	Revise y limpie el orificio de escape y el silenciador.
La bomba está obstruida con lodo.	Desmonte, revise y limpie el cuerpo de la bomba.

FUGAS DE FLUIDO POR EL ORIFICO DE ESCAPE (SILENCIADOR)	
El diafragma está dañado.	Desmonte y revise la bomba y reemplace el diafragma.

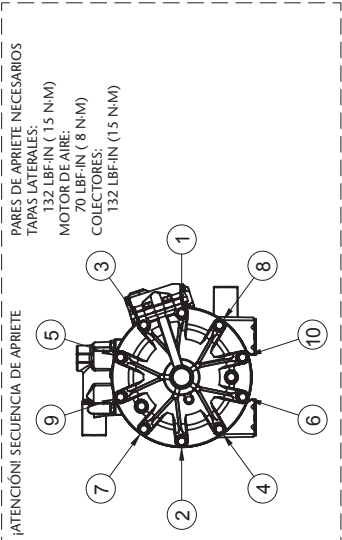
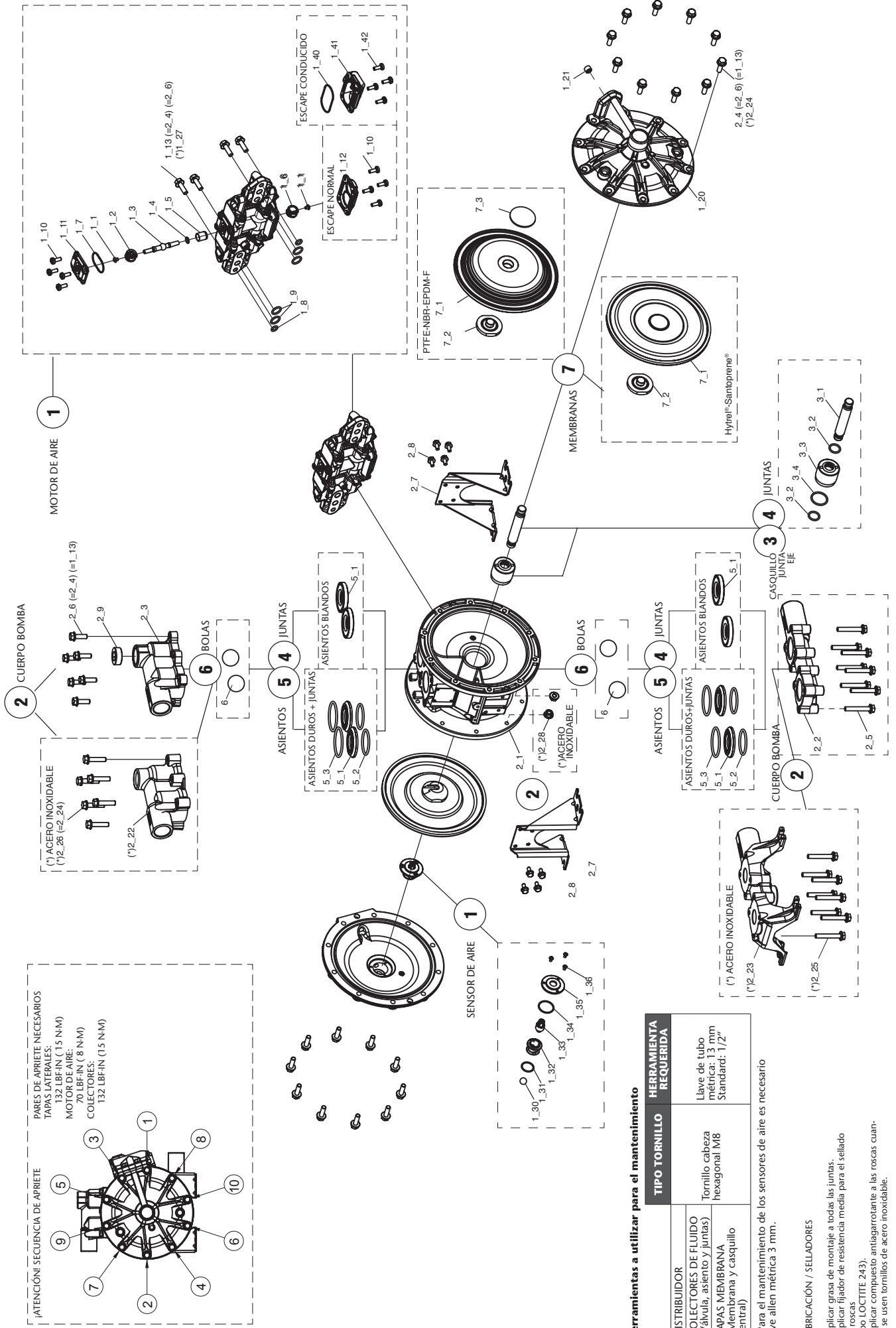
RUIDO IRREGULAR	
La presión de suministro de aire es demasiado alta.	Ajuste la presión de suministro de aire.
La bomba está obstruida con lodo de partículas más grandes que el diámetro permitido.	Desmonte, revise y limpie el cuerpo de la bomba.

EL FLUIDO SALE CON BURBUJAS DE AIRE	
Membrana dañada.	Sustituya la membrana.
Manguera de succión suelta o rota.	Apriete o sustituya.

FUGA AIRE ALIMENTADO A PRESIÓN ENTRE 1,5 y 8 bar (20 y 120 psi)	
Desgaste del pivote de la válvula de aire.	Cambie la válvula de aire.

NO ARRANCA Y QUEDA FUGANDO AIRE SIN HACER CICLOS	
Sensores de aire agarrotados.	Cambie sensor de aire.
Tambor de salida del pivote desgastado.	Cambie la válvula de aire.

BOMBA METÁLICA, DIBUJO DE RECAMBIOS



PARES DE APRIETE NECESARIOS
 TAPAS LATERALES: 132 LBF-IN (15 N·M)
 MOTOR DE AIRE: 70 LBF-IN (8 N·M)
 COLECTORES: 132 LBF-IN (15 N·M)

Herramientas a utilizar para el mantenimiento

DISTRIBUIDOR	TIPO TORNILLO	HERRAMIENTA REQUERIDA
COLECTORES DE FLUIDO (Válvula, asiento y juntas)	Tornillo cabeza hexagonal M8	Llave de tubo métrica: 13 mm Standard: 1/2"
TAPAS MEMBRANA (Membrana y casquillo central)		

* Para el mantenimiento de los sensores de aire es necesario lave allen métrica 3 mm.

LUBRICACIÓN / SELLADORES

- Aplicar grasa de montaje a todas las juntas.
- Aplicar fijador de resistencia media para el sellado de roscas (tipo LOCTITE 243).
- Aplicar compuesto antiagarrotante a las roscas cuando se usen tornillos de acero inoxidable.

BOMBA METÁLICA

DP200	X	X	X	X	X	X	X	X	X	X	X	
	1	2	3	4	5	6	7	8	9			
DISTRIBUIDOR DE AIRE												
CUERPO COLECTORES												
A Aluminio	S Acero inoxidable	N NBR	V FKM	E EPDM	T PTFE	S Acero inoxidable	N NBR	M Santoprene®	H Hytrel®	T PTFE	C POM	
S Acero inoxidable	N NBR	V FKM	E EPDM	T PTFE	S Acero inoxidable	N NBR	M Santoprene®	H Hytrel®	T PTFE	C POM	N NBR	
ASIENTOS												
S Acero inoxidable	A Aluminio	P Polipropileno	N NBR	M Santoprene®	H Hytrel®	S Acero inoxidable	A Aluminio	P Polipropileno	N NBR	M Santoprene®	H Hytrel®	
S Acero inoxidable	A Aluminio	P Polipropileno	N NBR	M Santoprene®	H Hytrel®	S Acero inoxidable	A Aluminio	P Polipropileno	N NBR	M Santoprene®	H Hytrel®	
BOLAS												
T PTFE	C POM	S Acero inoxidable	N NBR	M Santoprene®	H Hytrel®	T PTFE	C POM	S Acero inoxidable	N NBR	M Santoprene®	H Hytrel®	
T PTFE	C POM	S Acero inoxidable	N NBR	M Santoprene®	H Hytrel®	T PTFE	C POM	S Acero inoxidable	N NBR	M Santoprene®	H Hytrel®	
MEMBRANAS												
H Hytrel®	T PTFE	M Santoprene®	N NBR	M Santoprene®	H Hytrel®	H Hytrel®	T PTFE	M Santoprene®	N NBR	M Santoprene®	N NBR	
H Hytrel®	T PTFE	M Santoprene®	N NBR	M Santoprene®	H Hytrel®	H Hytrel®	T PTFE	M Santoprene®	N NBR	M Santoprene®	N NBR	
ROSCAS												
B BSP	N NPT	B BSP	N NPT	B BSP	N NPT	B BSP	N NPT	B BSP	N NPT	B BSP	N NPT	
B BSP	N NPT	B BSP	N NPT	B BSP	N NPT	B BSP	N NPT	B BSP	N NPT	B BSP	N NPT	
OPCIONES												
A Bomba estándar	B Kit salida de aire roscada incluido	C Detector de rotura de diafragma	D Sensor de ciclos	E Control externo con válvula de solenoide (no incluida)	F Silencioso de nariz incluido	G Control externo con válvula de solenoide (no incluida) y sensor de final de Carrera inductivos NPN (incluidos)	I Control externo con válvula de solenoide (no incluida) y sensor de final de Carrera inductivo ATEX - Namur- (incluidos)	U Bomba para fluidos UV	A Bomba estándar	B Kit salida de aire roscada incluido	C Detector de rotura de diafragma	D Sensor de ciclos
A Bomba estándar	B Kit salida de aire roscada incluido	C Detector de rotura de diafragma	D Sensor de ciclos	E Control externo con válvula de solenoide (no incluida)	F Silencioso de nariz incluido	G Control externo con válvula de solenoide (no incluida) y sensor de final de Carrera inductivos NPN (incluidos)	I Control externo con válvula de solenoide (no incluida) y sensor de final de Carrera inductivo ATEX - Namur- (incluidos)	U Bomba para fluidos UV	A Bomba estándar	B Kit salida de aire roscada incluido	C Detector de rotura de diafragma	D Sensor de ciclos

6		KIT REPARACIÓN BOLA DE VÁLVULA	
	CÓD. KIT	CODIFICACIÓN NUMÉRICA 55XXXX	
T	558529	-	
C	558528	555010/555030	
S	558530	-	
N	558531	-	

7		MEMBRANAS	
	CÓD. KIT	CODIFICACIÓN NUMÉRICA 55XXXX	
H	558521	555010	
M	558523	-	
N	558561	555030	
T	558522	-	

1		DISTRIBUIDOR DE AIRE	
	SENSOR DE AIRE	ESCAPE DE AIRE	
A	POS 1_1 to 1_13 558525	POS 1_40 to 1_42 558562	

2				CUERPO CENTRAL Y COLECTORES DE FLUIDO			
CUERPO CENTRAL	COLECTOR ENTRADA	COLECTOR SALIDA	COLECTOR DE FLUIDO	CUERPO CENTRAL	COLECTOR ENTRADA	COLECTOR SALIDA	COLECTOR DE FLUIDO
POS 2_1	POS 2_2	POS 2_3	POS 2_3	POS 2_1	POS 2_2	POS 2_3	POS 2_3
755123.001	BSP THREADS	NPT THREADS	BSP THREADS	755126.301	NPT THREADS	755125.001	NPT THREADS
855052	855054	855054.300	855053	855054.300	855054.300	855053.300	855053.300

3		KIT REPARACIÓN EJE	
EJE	JUNTA	CÓD. KIT	CODIFICACIÓN NUMÉRICA 55XXXX
S	V	558556	-
S	E	558557	-
S	T	558566	-
S	N	558554	555010/555030

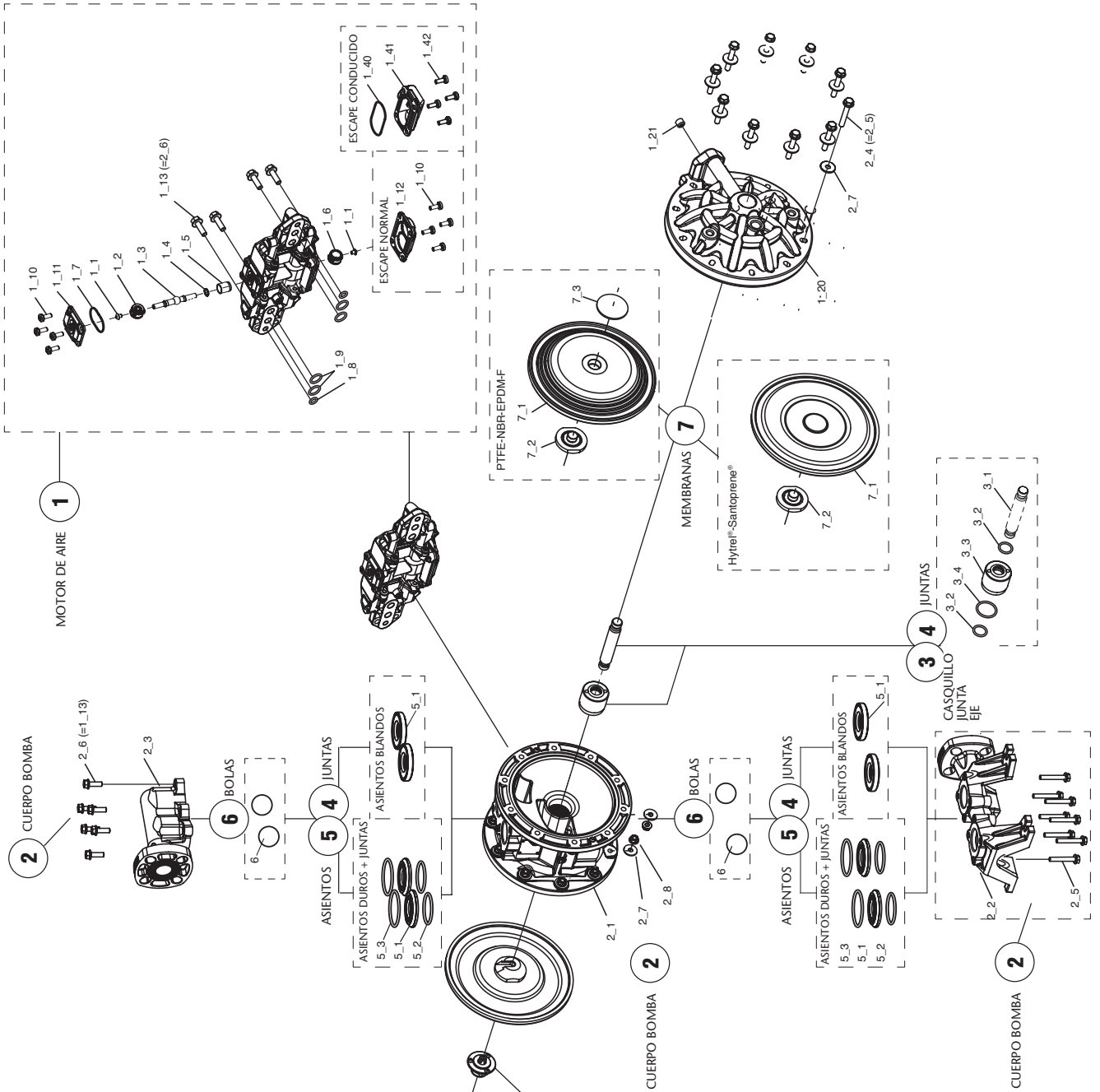
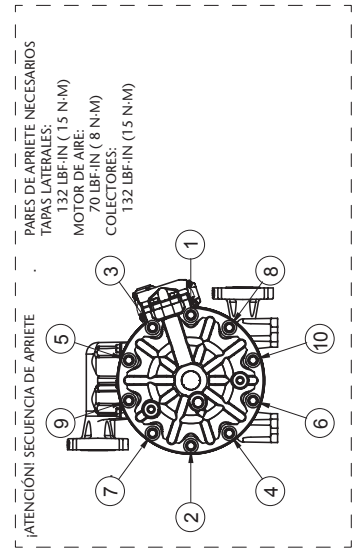
5		KIT REPARACIÓN ASIENTOS DE VÁLVULA	
ASIENTO	JUNTA	CÓD. KIT	CODIFICACIÓN NUMÉRICA 55XXXX
A	N	558539	-
A	V	558540	-
A	E	558541	-
A	T	558542	-
S	T	558551	-
N	-	558535	555030
H	-	558552	555010
M	-	558553	-

ETIQUETA CARACTERÍSTICAS TÉCNICAS



MODELO:
55XXXX (codificación numérica)
DP200XXXXXXXXXX (codificación alfanumérica)

BOMBA NO-METÁLICA, DIBUJO DE RECAMBIOS



Herramientas a utilizar para el mantenimiento

DISTRIBUIDOR	TIPO TORNILLO	HERRAMIENTA REQUERIDA
COLECTORES DE FLUIDO (Válvula, asiento y juntas)	Tornillo cabeza hexagonal 1/8	Llave de tubo métrica: 13 mm Standard: 1/2"
TAPAS MEMBRANA (Membrana y casquillo central)		

* Para el mantenimiento de los sensores de aire es necesario llave allen métrica 3 mm.

LUBRICACIÓN / SELLADORES

- Aplicar grasa de montaje a todas las juntas.
- Aplicar fijador de resistencia media para el sellado de roscas (tipo LOCITITE 243).
- Aplicar compuesto antiagarrotante a las roscas cuando se usen tornillos de acero inoxidable.

BOMBA NO-METÁLICA

DP200	X	X	X	X	X	X	X	X	X	X	X	X
	1	2	3	4	5	6	7	8	9			
DISTRIBUIDOR AIRE	CUERPO COLECTORES	EJE	JUNTAS	ASIENTOS	BOLAS	MEMBRANAS	ROSCAS	OPCIONES				
P Polipropileno	P Polipropileno B PP conductivo W PVDF	S Acero inoxidable Y Hastelloy® C	N NBR V FKM E EPDM T PTFE	P Polipropileno C POM W PVDF M Santoprene® H Hytrel®	T PTFE C POM S Acero inoxidable N NBR	H Hytrel® T PTFE M Santoprene® N NBR	F BRIDA	A Bomba estándar B Kit salida de aire roscada incluido C Detector de rotura de diafragma D Sensor de ciclos E Control externo con válvula de solenoide (no incluida) F Silencioso de nariz incluido G Control externo con válvula de solenoide (no incluida) y sensor de final de Carrera inductivos NPN (incluidos) I Control externo con válvula de solenoide (no incluida) y sensor de final de Carrera inductivo ATEX -Namur- (incluidos) U Bomba para fluidos UV				

6	KIT REPARACIÓN BOLA DE VÁLVULA	
	CÓD. KIT	CODIFICACIÓN NÚMÉRICA 55XXXX
T	558529	555164
C	558528	-
S	558530	-
N	558531	-

7	MEMBRANAS	
	CÓD. KIT	CODIFICACIÓN NÚMÉRICA 55XXXX
H	558521	555164
M	558523	-
N	558561	-
T	(1) 558522 (2) 558567	-

(1) Bomba con eje de Inoxidable.
(2) Bomba con eje de Hastelloy® C.

1	DISTRIBUIDOR DE AIRE	
	SENSOR DE AIRE	ESCAPE DE AIRE
P	POS 1_1 a 1_13 558525	POS 1_40 a 1_42 558562

2	CUERPO CENTRAL Y COLECTORES DE FLUIDO	
	COLECTORES ENTRADA	COLECTORES SALIDA
P	POS 2_1 755552	POS 2_3 BRIDA DIN/ANSI 755560
B	896642	894637
W	896643 896646	755561

3	KIT REPARACIÓN EJE	
EJE	JUNTA	CÓD. KIT
S	V	NO ATEX PUMP 558556
S	E	558555
S	T	558558
Y	T	558560
		558559

5	KIT REPARACIÓN ASIENTO DE VÁLVULA	
ASIENTO	JUNTA	CÓD. KIT
P	V	558544
P	E	558545
P	T	558546
C	V	558536
C	E	558537
C	T	558538
W	T	558548
H	-	558552
M	-	558553

ETIQUETA CARACTERÍSTICAS TÉCNICAS



MODELO:
55XXXX (codificación numérica)
DP200XXXXXXXXXX (codificación alfanumérica)

PARES DE APRIETE NECESARIOS PARA EL CORRECTO FUNCIONAMIENTO DE LA BOMBA

Para un correcto funcionamiento de la bomba, para evitar accidentes donde se puedan dañar equipos y en el peor de los casos personas, es conveniente la revisión periódica de los pares de apriete de las tapas y el motor neumático de la bomba solidarios al cuerpo mediante sus correspondientes tornillos. A continuación se especifican los pares de apriete adecuados para este fin:

PAR DE APRIETE DP200	Tapas laterales	15 N·m (132 lbf·in)
	Motor de aire	8 N·m (70 lbf·in)
	Colectores	15 N·m (132 lbf·in)

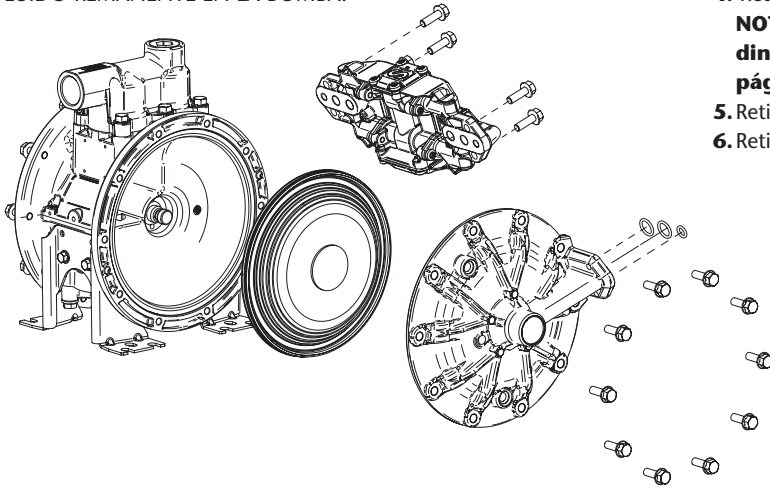
⚠ ATENCIÓN: NO SOBREPRETAR LOS TORNILLOS.

MANTENIMIENTO DEL DIAFRAGMA

Antes de cualquier intervención sobre la bomba:

DESCONECTAR EL SUMINISTRO DE AIRE COMPRIMIDO DE LA BOMBA

NO ES NECESARIO RETIRAR LA BOMBA DE LA INSTALACIÓN. EN CUALQUIER CASO, TENGA EN CUENTA UN POSIBLE DERRAME DE FLUIDO REMANENTE EN LA BOMBA.



Antes de cualquier intervención sobre la bomba:

1. Cierre las válvulas de aspiración e impulsión.
2. Drenar el fluido remanente en la bomba.
3. Retire la válvula direccional con cuidado de no dañar o perder las juntas que se encuentran entre la válvula y la bomba.
4. Retire los tornillos de la tapa del diafragma.

NOTA: para apretar estos tornillos debe usar una llave dinamométrica calibrada (ver tabla de par de apriete de esta página).
5. Retire la tapa del diafragma tirando suavemente hacia atrás.
6. Retire los diafragmas.

NOTA: Tenga cuidado con las juntas que se encuentran entre la válvula direccional y la bomba. Pueden dañarse o perderse en el proceso de mantenimiento.

PROCEDIMIENTO PARA LA INSTALACIÓN DE DIAFRAGMAS NUEVOS

⚠ ATENCIÓN: Siga el siguiente procedimiento para asegurar que el diafragma se coloca correctamente. Si no se sigue este procedimiento, el exterior de la membrana puede extruirse en su alojamiento resultando en un daño permanente o reduciendo considerablemente la vida útil. Tenga en cuenta esta recomendación si ve fugas tras la instalación del diafragma.

1. COLOCACIÓN DEL EJE CENTRAL PARA LA INSTALACIÓN CORRECTA DEL DIAFRAGMA

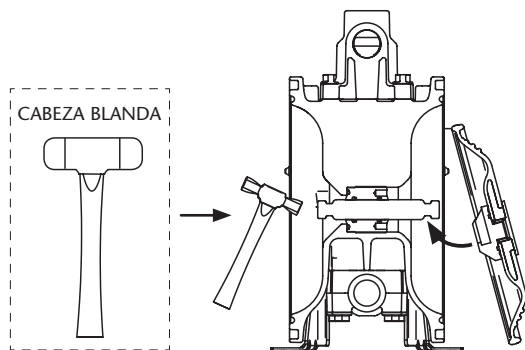
Mediante el empleo de una maza de cabeza blanda, desplace el eje central fuera de la cavidad a una distancia suficiente como para colocar la membrana sin que esta se deforme.

Evite la instalación del diafragma sin colocar el eje en la posición descrita, el exterior del diafragma puede dañarse.

⚠ ATENCIÓN!

1. Ensamblaje correcto del diafragma antes de la colocación de la tapa sobre él.

2. Ensamblaje incorrecto del diafragma. Puede producirse daño permanente durante la colocación de la tapa sobre él.



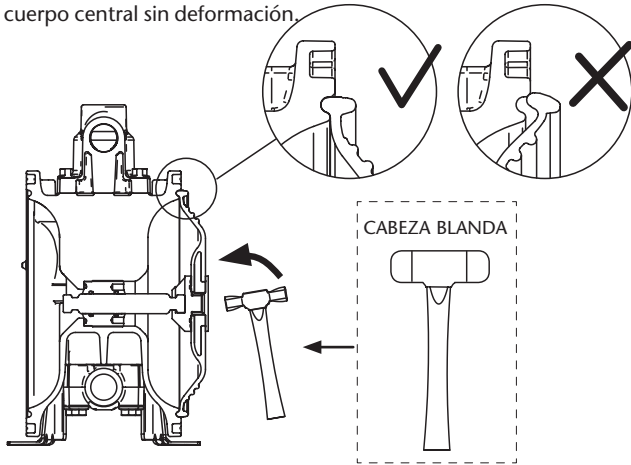
2021_12_15-12:00

REPARACIÓN Y MANTENIMIENTO

2. ALINEACIÓN DEL PRIMER DIAFRAGMA

Empleando una maza de cabeza blanda, alinee el diafragma hasta que el exterior bese con el alojamiento del cuerpo sin deformación.

La zona exterior del diafragma toca su alojamiento en el cuerpo central sin deformación.

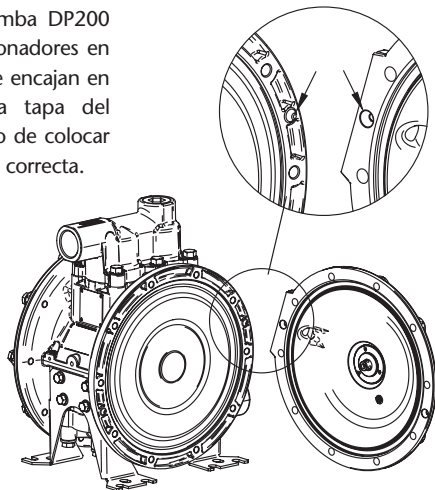


3. INSTALACIÓN DE LA TAPA DE DIAFRAGMA

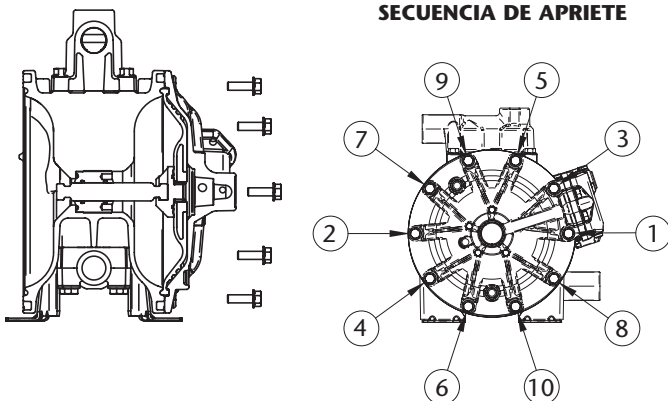
Coloque la tapa de diafragma y aproxímelas al cuerpo progresivamente empleando los tornillos (Siga la secuencia de apriete).

Una vez aproximada la tapa, use el par de apriete @132 lbf-in (15 N·m).

⚠ ATENCIÓN! La bomba DP200 incorpora dos posicionadores en el cuerpo central que encajan en dos agujeros en la tapa del diafragma con objeto de colocar la tapa en la posición correcta.

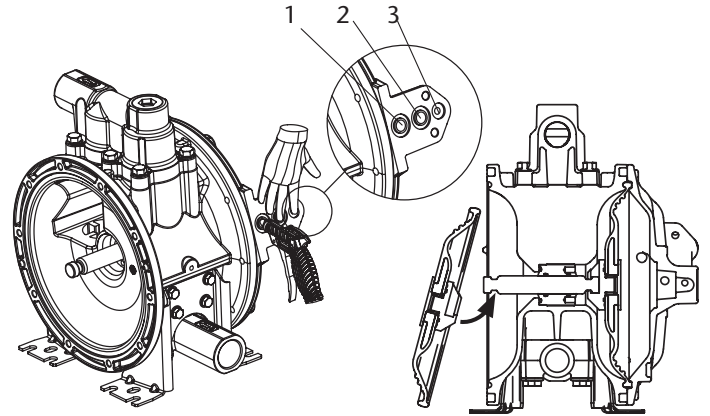


SECUENCIA DE APRIETE



4. COLOCACIÓN DEL EJE CENTRAL PARA LA INSTALACIÓN DEL SEGUNDO DIAFRAGMA

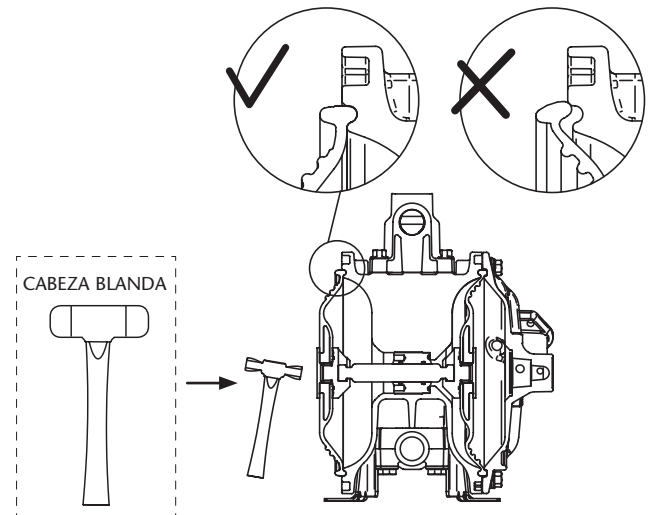
Emplee una pistola de aire comprimido con un máximo de 1 bar (15 psi) de presión para inyectar aire a la cámara del diafragma que se ha instalado previamente. Introduzca el aire a través del agujero nº 1 mientras cierra por algún medio los agujeros nº 2 y nº 3. El aire comprimido empujará el eje central hacia el exterior permitiendo instalar el diafragma sin necesidad de deformarlo.



Cuando el aire comprimido entra en el agujero nº 1 mientras se cierra el nº 2 y el nº 3, el diafragma se desplaza, desplazando a su vez el eje central permitiendo la instalación de la membrana.

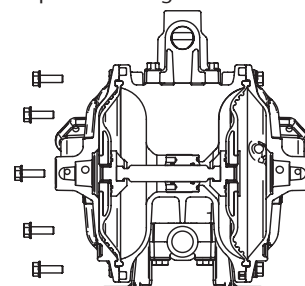
5. ALINEACIÓN DEL SEGUNDO DIAFRAGMA

Instale el Segundo diafragma y de nuevo, usando una maza de cabeza blanda aproxíme el diafragma hasta que la zona exterior de cierre toque el alojamiento del cuerpo sin deformación.



6. INSTALACIÓN DE LA TAPA DEL SEGUNDO DIAFRAGMA.

Siga el mismo procedimiento que se describe en el punto nº 3 para la instalación del primer diafragma.

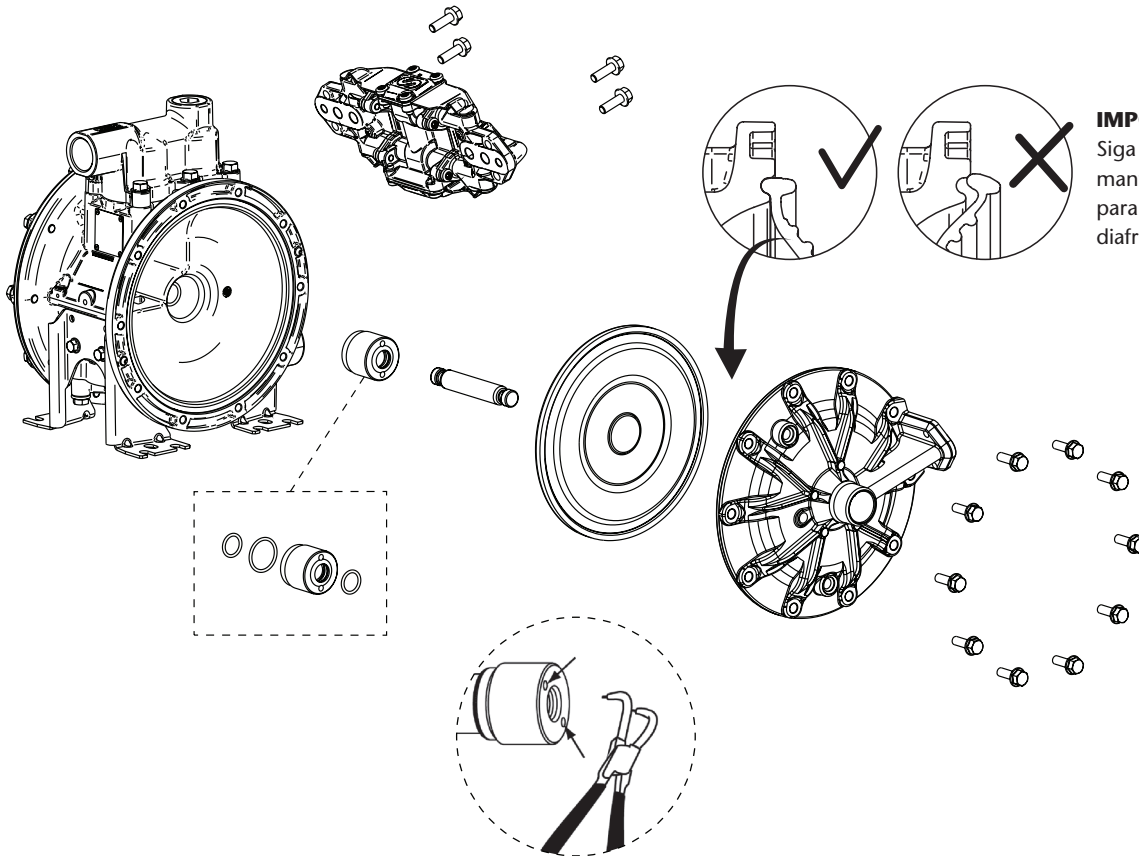


2021_12_15-12:00

EJE CENTRAL, CASQUILLO Y JUNTAS DE EJE

NOTA: El eje central se sitúa entre los diafragmas.

1. Retire la tapa lateral del lado derecho (mirando la bomba frente la chapa de características) siguiendo el procedimiento descrito en la sección de mantenimiento de los diafragmas.
2. Retire el eje de su alojamiento tirando de uno de los extremos sin rayar la zona central.
El casquillo de Teflon® que aloja las juntas en se encuentra roscado en el cuerpo central. Para retirarlo, emplee alicates de anillo rápido en los dos agujeros que se indican en la figura.
3. Una vez el casquillo se ha retirado, retire la junta tórica que se encuentra entre el cuerpo y el casquillo.
4. Reemplace los componentes por los que se incorporan en el kit de recambio. Siga el orden mostrado en la imagen. La junta que se coloca entre el cuerpo y el casquillo puede caerse durante la instalación, aplique grasa de montaje para adherir la junta al casquillo durante el roscado.

**IMPORTANTE:**

Siga el procedimiento para el mantenimiento de los diafragmas para asegurar que no se dañen los diafragmas durante el montaje.

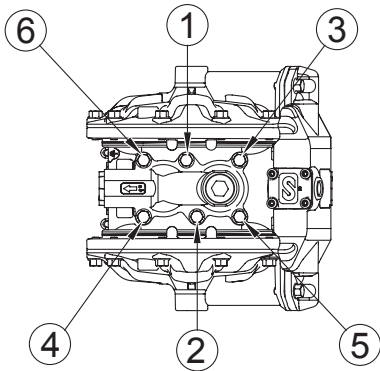
REPARACIÓN Y MANTENIMIENTO

BOLAS Y ASIENTO DE VÁLVULAS

1. Cierre las válvulas de aspiración e impulsión.
2. Drenar el fluido remanente en la bomba. En cualquier caso tenga en cuenta un posible derrame de fluido remanente de la bomba.
3. Las válvulas se alojan en los colectores de aspiración e impulsión de fluido. Tome nota de la orientación de los colectores de cara al posterior montaje.
4. Instale un Nuevo juego de válvulas o asientos atendiendo al orden mostrado en la imagen. Aproxime los colectores con los tornillos y realice un apriete final con un par máximo de 132 lbf-in (15 N-m).
IMPORTANTE: Aproxime progresivamente el colector con los tornillos antes del apriete final.
5. Monte el motor de aire con cuidado de no dañar las juntas tóricas y apriete los tornillos con un par máximo de 70 lbf-in (8 N-m).

⚠ ATENCIÓN!

El colector superior de las bombas DP200 que incorporen juntas de Teflón (PTFE), deben ser apretados siguiendo la secuencia de la imagen. Aproxime siempre primero con los tornillos (1) y (2) para evitar daños en el colector o las juntas.

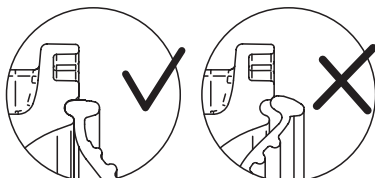


MANTENIMIENTO DEL SENSOR DE AIRE

Los sensores de aire se montan en el interior de las tapas laterales. Para acceder a ellos, siga el procedimiento para retirarlas descrito en el apartado de mantenimiento de la membrana.

Una vez retiradas las tapas laterales siga los pasos descritos a continuación:

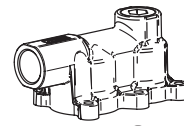
1. Retire los tres tornillos que aseguran la tapa del sensor
2. Retire todos los componentes y limpie el área.
3. Incorpore los nuevos componentes en el orden mostrado en la figura.
4. Vuelva a colocar todos los componentes en orden inverso. Ponga la tapa lateral y apriete los tornillos.



KIT DE SENSORES 558527

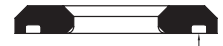
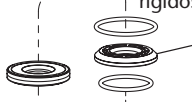
IMPORTANTE: Siga el procedimiento para el mantenimiento de los diafragmas para asegurar que no se dañan los diafragmas durante el montaje.

Tornillos del colector de salida
25 mm (1")
15 N-m (132 lbf-in)



Asientos rígidos

Asiento blando



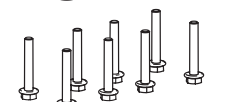
Esta cara siempre hacia abajo

IMPORTANTE: Los asientos blandos (NBR, Hytrel, Santoprene) no necesitan juntas y son simétricos.

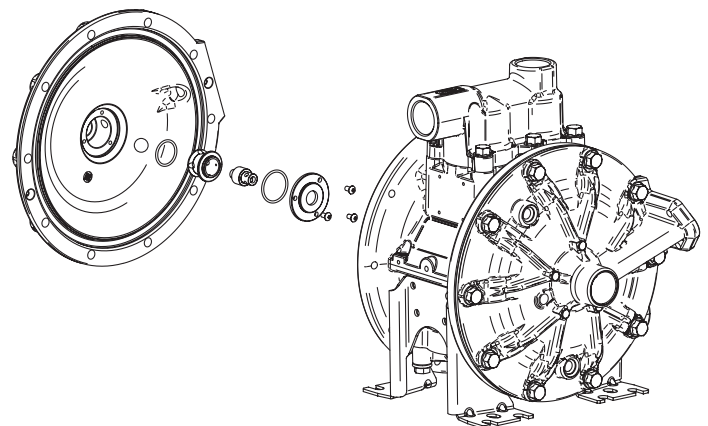
Los asientos rígidos (PP, POM, PVDF, Aluminio, Acero inox.), emplean juntas adicionales. El asiento tiene posición, (ver imagen), asegúrese de que la posición de las juntas y del asiento es la mostrada. La junta de menor diámetro se coloca bajo el asiento y la de mayor sobre él.

Las bolas siempre han de colocarse por encima de los asientos.

IMPORTANTE: Cuando realice un mantenimiento en la bomba que implique desmontaje de los colectores y la bomba esté configurada con juntas de PTFE (color blanco), estas tienen que ser reemplazadas por unas nuevas con objeto de evitar fugas de fluido".



Los tornillos del colector de admisión
50 mm (1.96")
15 N-m (132 lbf-in)



2021_12_15-12:00

CODIFICATION / CODIERUNG

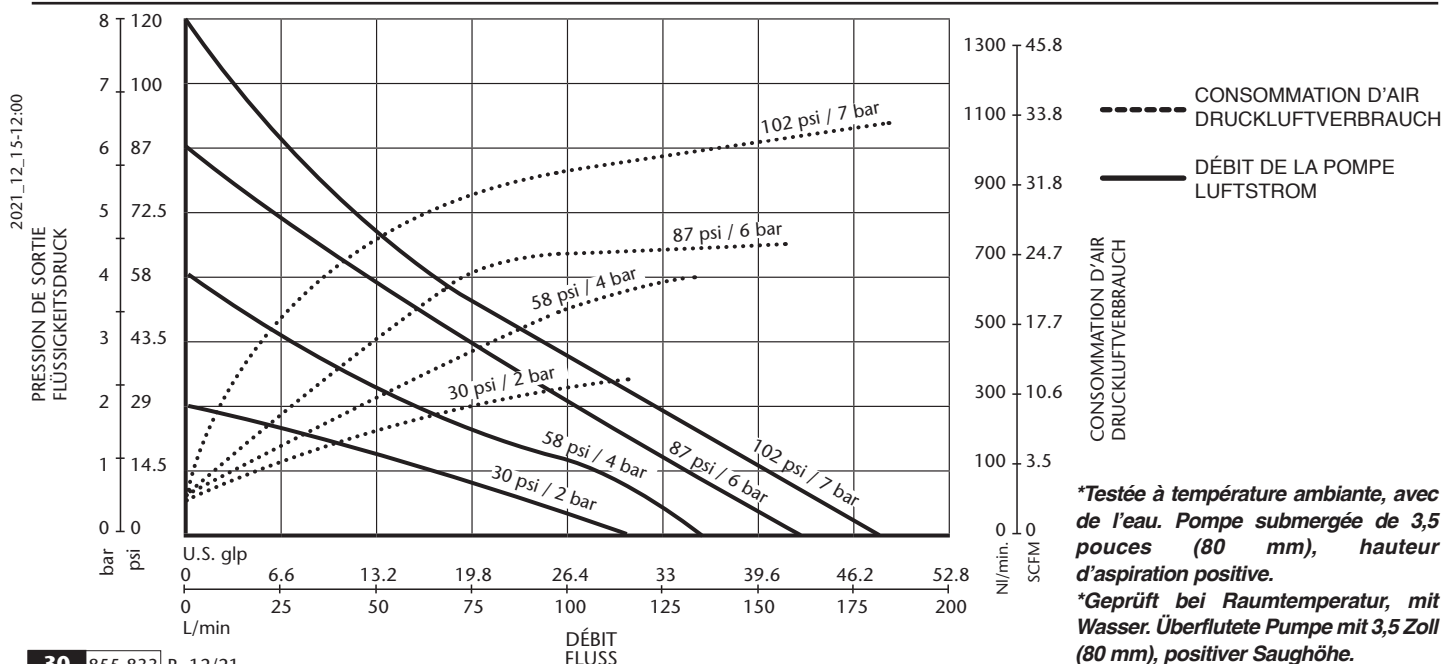
DP200	X	X	X	X	X	X	X	X	X
FR	VANNE D'AIR / LUFTVENTIL	CORPS POMPE / ZENTRALER TEIL	POUSOIR / DRUCKSTANGE	JOINTS / DICHTUNGEN	SIÈGES / SITZE	BILLES / BÄLLE	DIAPHRAGMES / MEMBRANEN	CONNEXIONS / ANSCHLÜSSE	OPTIONS / OPTIONEN
DE	A Aluminium / Aluminium P Polypropylène / Polypropylen	A Aluminium / Aluminium S Acier inoxydable / Rostfreier Stahl P Polypropylène / Polypropylen B Conducteur PP / Leitfähiges PP C POM W PVDF	S Acier inoxydable / Aço inoxidável Y Hastelloy® C	N NBR V FKM E EPDM T PTFE	S Acier inoxydable / Rostfreier Stahl A Aluminium / Aluminium P Polypropylène / Polypropylen C POM W PVDF N NBR M Santoprene® H Hytrel®	T PTFE C POM S Acier inoxydable / Rostfreier Stahl N NBR	H Hytrel® T PTFE M Santoprene® N NBR	B BSP N NPT F Flange / Flansch	A Pompe standard / Standardpumpe B Kit inclus d'échappement à distance / Fernauspuff-Kit enthalten C Détecteur de fuite à membrane / Membranleckdetektor D Capteur de cycle / Zyklussensor E Commande externe avec électrovanne (non incluse) / Extern gesteuert mit Magnetventil (nicht im Lieferumfang enthalten) F Silencieux inclus / Nasenschalldämpfer enthalten G Commande externe avec électrovanne (non incluse) et capteurs inductifs de fin de course NPN (inclus) / Extern gesteuert mit Magnetventil (nicht im Lieferumfang enthalten) und induktive End-of-Stroke Sensoren NPN (im Lieferumfang enthalten) I Commande externe avec électrovanne (non fournie) et capteurs inductifs de fin de course ATEX-Namur (inclus) / Extern gesteuert mit Magnetventil (nicht im Lieferumfang enthalten) und induktive End-of-Stroke Sensoren ATEX-Namur (im Lieferumfang enthalten) U Pompe adaptée aux fluides UV / Pumpe geeignet für UV-Flüssigkeiten

DONÉES TECHNIQUES / TECHNISCHE DATEN

		DP200
RATIO	ÜBERSETZUNGSVERHÄLTNIS	1:1
DÉBIT MAXIMAL DE LA SORTIE LIBRE	FÖRDERLEISTUNG BEI FREIEM AUSLAUF	53 Us gal/min (200 l/min)
DÉPLACEMENT PAR EMBOLADE	FÖRDERMENGE PRO HUB	17 oz (0.5 l)
PLAGE DE PRESSION	LUFTDRUCKEINSATZBEREICH	20 - 120 psi (1,5 - 8 bar)
TAILLE MAXIMALE DES PARTICULES EN SUSPENSION	MAXIMALE PARTIKELGRÖSSE	1/4" (6 mm)
HAUTEUR D'ASPIRATION MAXIMALE	MAXIMALE ANSAUGHÖHE	16.5 ft (5 m) sec / trocken, 26.2 ft (8 m) humide / nass
POIDS	GEWICHT	44.09 lb (20 kg) Acier inoxydable / Rostfreier Stahl
		24.25 lb (11 kg) Aluminium
		23.1 lb (10,5 kg) Plastique / Plástico
RACCORDS D'ENTRÉE ET DE SORTIE DU FLUIDE	FLUIDEINLASS (EINZELLEINLASS) / FLUIDAUSLASS	1" BSP (F) or NPT (F) Pompage de l'aluminium et de l'acier inoxydable / 1" BSP (F) o NPT (F) Aluminium und Rostfreier Stahl pumpen
		Flange DIN DN25 ou ANSI 1" B16.5 150 lbs
		Flansch DIN DN25 ou ANSI 1" B16.5 150 lbs
PRISE D'AIR	ANSCHLUSS DRUCKSEITE	3/8" NPSM (F)
PLAGE DE TEMPÉRATURE DE TRAVAIL	GERÄUSCHPEGEL	32 -158 °F (0 - 70 °C)

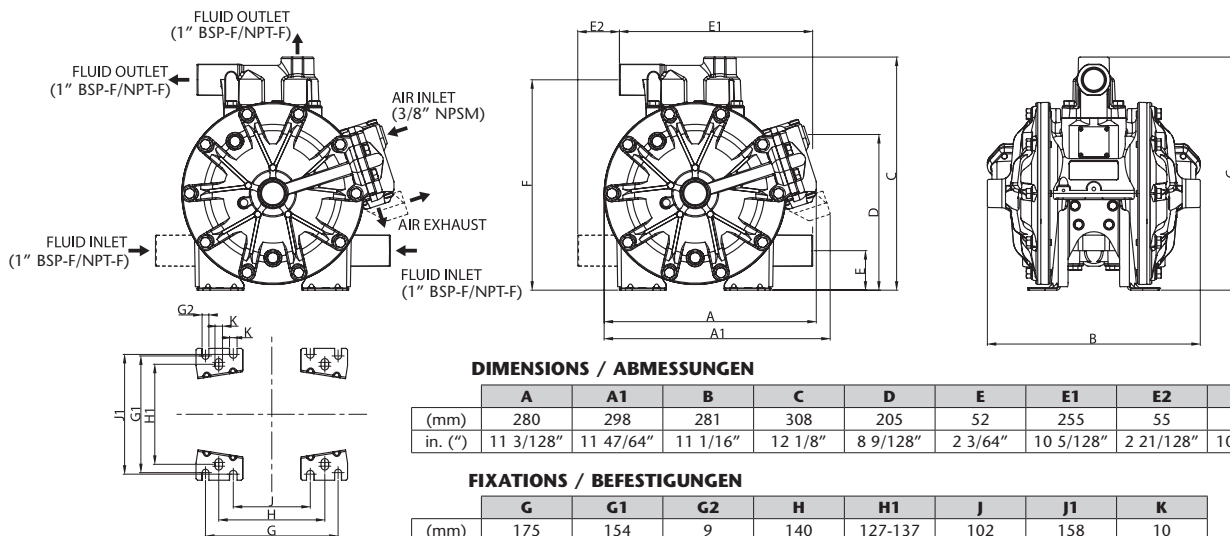
(oz, ft, gal/min) tous en unités américaines / alle in EEUU-Einheiten

COURBE DE CAPACITÉ / LEISTUNGSKURVEN



DIMENSIONS / ABMESSUNGEN

MÉTALLIQUE : ALUMINIUM / METALLISCH: ALUMINIUM



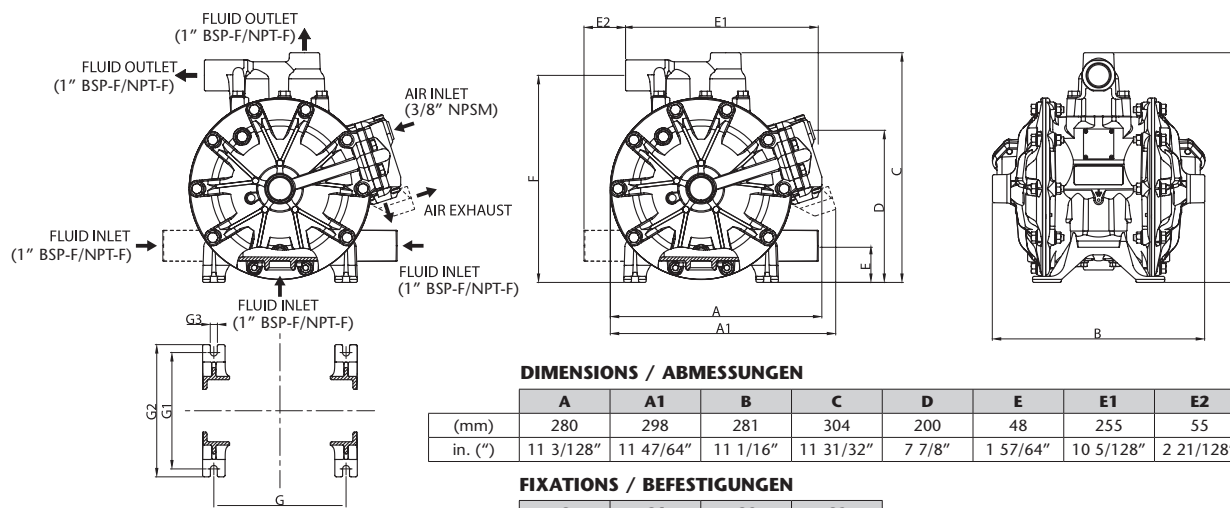
DIMENSIONS / ABMESSUNGEN

	A	A1	B	C	D	E	E1	E2	F
(mm)	280	298	281	308	205	52	255	55	278
in. (")	11 3/128"	11 47/64"	11 1/16"	12 1/8"	8 9/128"	2 3/64"	10 5/128"	2 21/128"	10 121/128"

FIXATIONS / BEFESTIGUNGEN

	G	G1	G2	H	H1	J	J1	K
(mm)	175	154	9	140	127-137	102	158	10
in. (")	6 57/64"	6 1/16"	23/64"	5 33/64"	5"-5 25/64"	4 1/64"	6 7/32"	25/64"

MÉTALLIQUE - ACIER INOXYDABLE / METALLISCH-ROSTFREIER STAHL



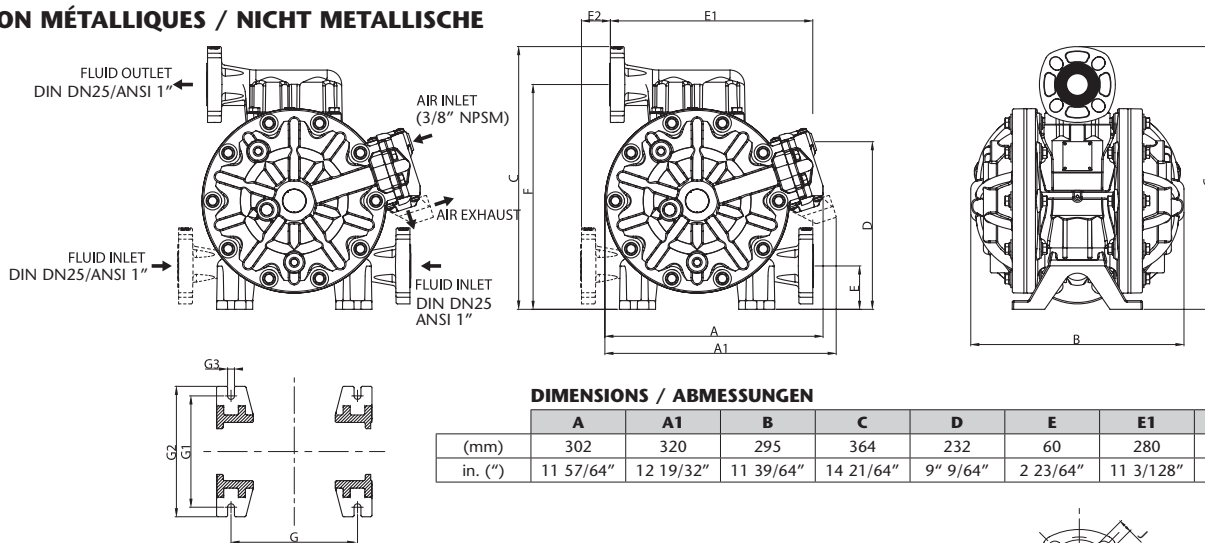
DIMENSIONS / ABMESSUNGEN

	A	A1	B	C	D	E	E1	E2	F
(mm)	280	298	281	304	200	48	255	55	274
in. (")	11 3/128"	11 47/64"	11 1/16"	11 31/32"	7 7/8"	1 57/64"	10 5/128"	2 21/128"	10 101/128"

FIXATIONS / BEFESTIGUNGEN

	G	G1	G2	G3
(mm)	175	154	175	9
in. (")	6 57/64"	6 1/16"	6 57/64"	23/64"

NON MÉTALLIQUES / NICHT METALLISCHE



DIMENSIONS / ABMESSUNGEN

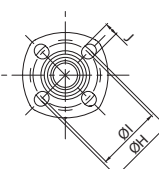
	A	A1	B	C	D	E	E1	E2	F
(mm)	302	320	295	364	232	60	280	40	311
in. (")	11 57/64"	12 19/32"	11 39/64"	14 21/64"	9" 9/64"	2 23/64"	11 3/128"	1 37/64"	12 1/4"

FIXATIONS / BEFESTIGUNGEN

	G	G1	G2	G3
(mm)	175	154	180	9
in. (")	6 57/64"	6 1/16"	7 11/128"	23/64"

FLANGE / FLANSCH


	Ø H	Ø I	J
(mm)	85	79,4	17
	3 11/32"	3 1/8"	43/64"



IMPORTANT: Si l'entretien de la pompe implique le démontage du coude et que la pompe est équipée de joints toriques en PTFE (couleur blanche), ceux-ci doivent être remplacés par des neufs afin d'éviter les fuites de liquide.

WICHTIG: Wenn eine Pumpenwartung durchgeführt wird, bei der der Krümmer zerlegt wird und die Pumpe mit PTFE-O-Ringen (weiße Farbe) ausgestattet ist, müssen diese durch neue ersetzt werden, um Flüssigkeitslecks zu vermeiden.

Dans ce document, vous trouverez des avertissements et des préavertissements pour l'installation, l'utilisation et l'entretien des pompes. Voici la signification des symboles que vous pouvez trouver dans ce document et les avertissements généraux que vous devez rappeler.

 **ATTENTION:** Ce symbole indique qu'il existe un danger de blessures corporelles graves ou de mort si vous ignorez l'attention décrite.
AVERTISSEMENT: Ce symbole signale qu'il existe un risque de blessures ou de dommages matériels si vous ignorez l'avertissement décrit.

 **ATTENTION: LIRE ATTENTIVEMENT LES INSTRUCTIONS ET LES ATTENTIONS AVANT D'UTILISER L'EQUIPEMENT!**

- Cet équipement est réservé à un usage professionnel.
- Ne pas dégrader l'intégrité de l'équipement. N'utilisez que des composants de remplacement d'origine de Samoa Industrial, S.A.
- Les fluides non adaptés à la pompe peuvent endommager le groupe motopompe et entraîner des risques de blessures graves. Consultez toujours Samoa Industrial, S.A. si vous avez des questions sur la compatibilité des fluides et des matériaux de la pompe, y compris les élastomères.
- Installez et utilisez la pompe conformément à toutes les réglementations locales et nationales et respectez toutes les lois ou législations en matière de santé et de sécurité.
- La pompe peut produire des pressions de fluide égales à la pression d'alimentation en air. Ne pas dépasser la pression maximale admissible de 120 psi (8 bar) d'alimentation en air. La pression hydraulique totale (pression différentielle + système) ne doit jamais dépasser 120 psi (8 bar).
- N'utilisez jamais une pompe qui fuit, qui est endommagée, qui est corrodée ou qui pourrait ne pas avoir la capacité de contenir le fluide.
- Vérifiez fréquemment que les boulons du couvercle à membrane de la pompe sont correctement serrés.
- N'utilisez pas un modèle avec des surfaces mouillées en aluminium pour pomper des fluides destinés à la consommation humaine, il existe une possibilité de trace de contamination par le plomb.
- Danger d'explosion en cas d'utilisation de 1,1,1-trichloroéthane, de chlorure de méthylène ou d'autres solvants hydrocarbonés halogénés avec des matériaux mouillés par l'aluminium. Cela pourrait causer des blessures graves et des dommages matériels.
- À l'intérieur de la pompe, des membranes séparent le fluide pompé de l'alimentation en air. Si une membrane se brise, le fluide peut s'échapper de l'échappement d'air et contaminer l'environnement.
- Lors de la manipulation de fluides dangereux, acheminez toujours l'échappement d'air dans un récipient approprié et placez-le dans un endroit sûr. (Système de connexion en option à la demande du client. Non fourni avec l'unité).
- Lorsque le niveau de la source de fluide est situé plus haut que la pompe, (aspiration noyée), le réservoir de sortie doit être à un niveau plus élevé que le produit pour éviter les déversements.
- Pour les pompes manipulant des fluides dangereux qui constituent un danger pour l'homme ou pour l'environnement, installez un conteneur approprié autour de la pompe pour éviter toute fuite ou déversement.
- Assurez-vous que les opérateurs de cet équipement sont formés sur le fonctionnement et les limitations. Utiliser un équipement de sécurité comme des lunettes de sécurité ou tout autre équipement requis.

DESCRIPTION

Les pompes pneumatiques à double membrane sont des pompes volumétriques alternatives à air comprimé avec deux chambres de pompage. Deux membranes, situées au centre des chambres, séparent l'air comprimé (côté sec) du fluide pompé (côté humide). Un arbre transmet le mouvement alternatif d'un diaphragme à l'autre. Une vanne directionnelle distribue alternativement l'air d'une chambre à l'autre ; ainsi un mouvement alternatif des diaphragmes est créé. À chaque course, le fluide est évacué par l'un des diaphragmes tandis que le diaphragme opposé aspire du nouveau fluide dans la chambre en expansion. Les clapets anti-retour, deux côté refoulement et deux côté aspiration, contrôlent et dirigent le débit du fluide.

MATERIAL	ÉCART DE TEMPÉRATURE
PTFE	5 °C - 105 °C / 41 °F - 221 °F
NBR	10 °C - 80 °C / 50 °F - 176 °F
Acetal	10 °C - 90 °C / 50 °F - 194 °F
Hytrel®	10 °C - 90 °C / 50 °F - 194 °F
Neopreno	-18 °C - 93 °C / 0 °F - 200 °F
Santoprene®	-29 °C - 135 °C / -20 °F - 275 °F
Viton®	-10 °C - 177 °C / -4 °F - 351 °F
Polypropylène	10 °C - 80 °C / 50 °F - 176 °F

INSTALLATION

RECOMMANDATIONS D'INSTALLATION

- Sortez la pompe de son emballage et installez-la à l'emplacement choisi.
- Essayez de minimiser la hauteur d'aspiration. Installez la pompe aussi près que possible du fluide pompé.
- N'oubliez pas d'avoir suffisamment d'espace autour de la pompe pour effectuer les tâches de maintenance.
- N'oubliez pas de raccorder correctement l'entrée et la sortie de la pompe.
- En cas de panne de la pompe à membrane, l'échappement d'air expulsera le produit pompé.
- Lorsque la pompe est installée dans un endroit où un déversement de fluide peut avoir un impact sur l'environnement, l'échappement doit être dirigé vers un endroit où ce déversement pourrait être contenu.
- Lors de l'installation de la pompe à sa place, utilisez des supports pour fixer sa base.
- Serrez tous les boulons avec les couples indiqués dans ce manuel.

INSTALLATION

LES POMPES DP SONT TRÈS FACILES À CONFIGURER ET À INSTALLER

ZONE INONDÉE:

Le système de pompage a été conçu avec une pression positive à l'entrée. C'est la meilleure installation possible lorsque vous devez évacuer le liquide du fût ou du réservoir, ou lorsque vous travaillez avec des fluides visqueux.

Non recommandé pour les fluides dangereux.

AUTO-AMORÇANT:

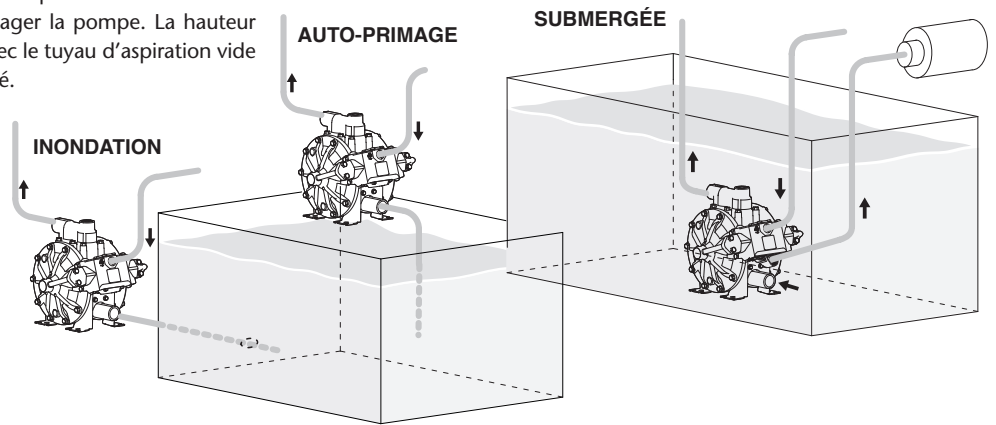
La pompe est conçue pour générer du vide. Il est possible d'évacuer tout l'air d'un tuyau ou d'un tuyau sans endommager la pompe. La hauteur d'aspiration maximale est de (5 m) 16,5 pi, avec le tuyau d'aspiration vide et jusqu'à 8 m (26,25 pi) avec le tuyau amorcé.

REMARQUE : utilisez un régulateur de pression avec entrée de filtre intégrée.

REMARQUE : L'alimentation en air comprimé doit être comprise entre 1,5 bar (20 psi) et 8 bar (120 psi).

SUBMERGÉE:

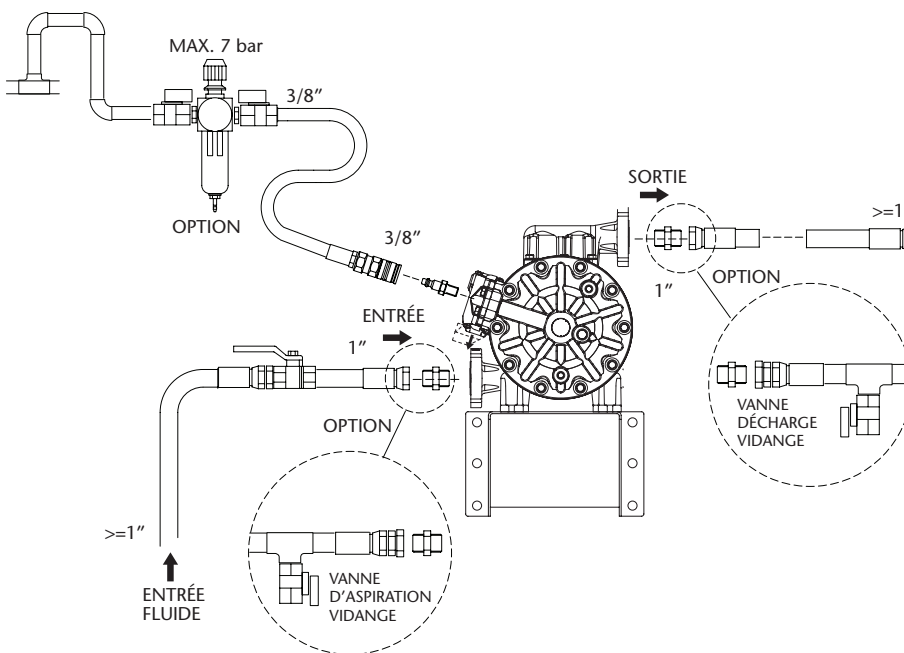
Toutes les pompes peuvent être immergées dans des fluides. Il est important de vérifier que tous les composants qui sont en contact avec le fluide sont chimiquement compatibles. Dans ce cas, l'évacuation de l'air et le fluide doivent être transportés par des tuyaux (connexion d'air en option).



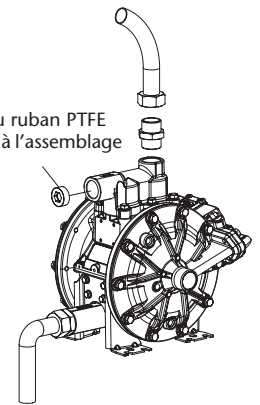
INSTALLATION RECOMMANDÉE

La figure ci-dessous montre la configuration recommandée pour l'installation d'une pompe à membrane. Lire les attentions et recommandations de la page précédente avant de commencer.

MÉTALLIQUE



Appliquer du ruban PTFE aux filetages à l'assemblage



REMARQUE: Pour utiliser la connexion supérieure de la pompe, retirez le bouchon et installez le tuyau de sortie à l'aide d'un connecteur compatible avec les filetages de la pompe. Utilisez le bouchon pour fermer la sortie de la pompe standard. Utilisez du ruban téflon pour sceller le nouveau placement du bouchon.

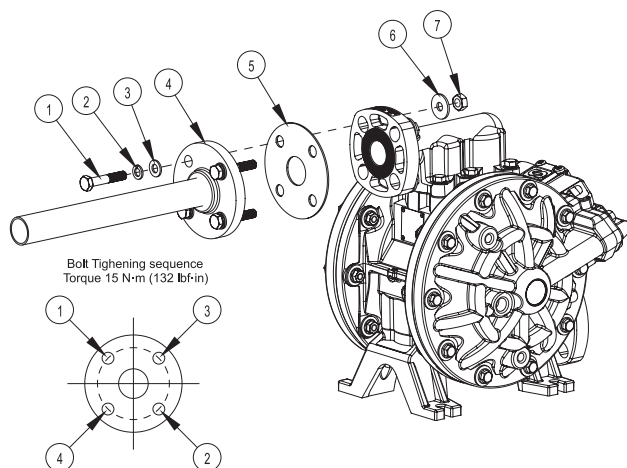
(* Raccords de pompe supérieure et inférieure du collecteur en acier inoxydable: uniquement disponibles sur demande spéciale (demandez à Samoa Industrial, S.A. ou à votre distributeur local).

2021_12_15-12:00

INSTALLATION RECOMMANDÉE

La figure ci-dessous montre la configuration recommandée pour l'installation d'une pompe à membrane.
Lire les attentions et recommandations de la page précédente avant de commencer.

NON-MÉTALLIQUE



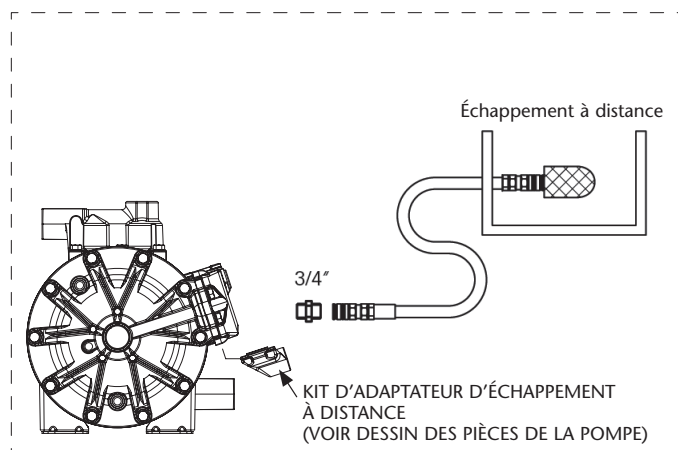
Bolt Tightening sequence
Torque 15 N-m (132 lb-ft-in)

N°	DESCRIPTION	Qté.
1	Verrouiller	4
2	Rondelle à ressort	4
3	Rondelle plate	4
4	Bride de tuyau standard	1
5	Joint	1
6	Rondelle plate	4
7	Ecru	4

ÉLIMINATION DES ÉVACUATIONS D'AIR

ATTENTION

- Un kit en option est requis pour l'échappement à distance.
- Dévisser les 4 boulons et retirer le silencieux standard (pos. 1-10, pos. 1-12) dans le schéma de la pompe.
- Placez l'adaptateur d'échappement à distance (pos. 1-41), (n'oubliez pas d'installer le joint torique inclus sur son boîtier, (1-40)). Vissez les quatre boulons (pos. 1-42) retirés précédemment.
- Connectez un tuyau au nouveau port d'échappement et installez le silencieux à l'extrémité du tuyau. Utilisez un tuyau du même diamètre que l'orifice d'échappement 3/4" NPT. (Si le tuyau mesure plus de 1,5 m (5 pieds), consultez votre distributeur local ou Samoa Industrial, S.A.).
- Disposer d'une douve, d'un boîtier de protection, etc. au bout du tuyau.



CONNEXION D'AIR

- ATTENTION:** Pour s'assurer que l'alimentation en air est suffisante pour répondre à la demande de la pompe, le diamètre du tuyau doit être égal au diamètre de l'orifice d'alimentation de la pompe. Choisissez un équipement de traitement d'air auxiliaire et des raccords avec un débit d'air suffisant pour dépasser l'air consommation de la pompe. De plus, des équipements périphériques de traitement d'air doivent être installés au plus près du groupe motopompe. L'utilisation d'un coupleur pour connecter les tuyaux facilite les futures tâches d'exploitation et de maintenance.

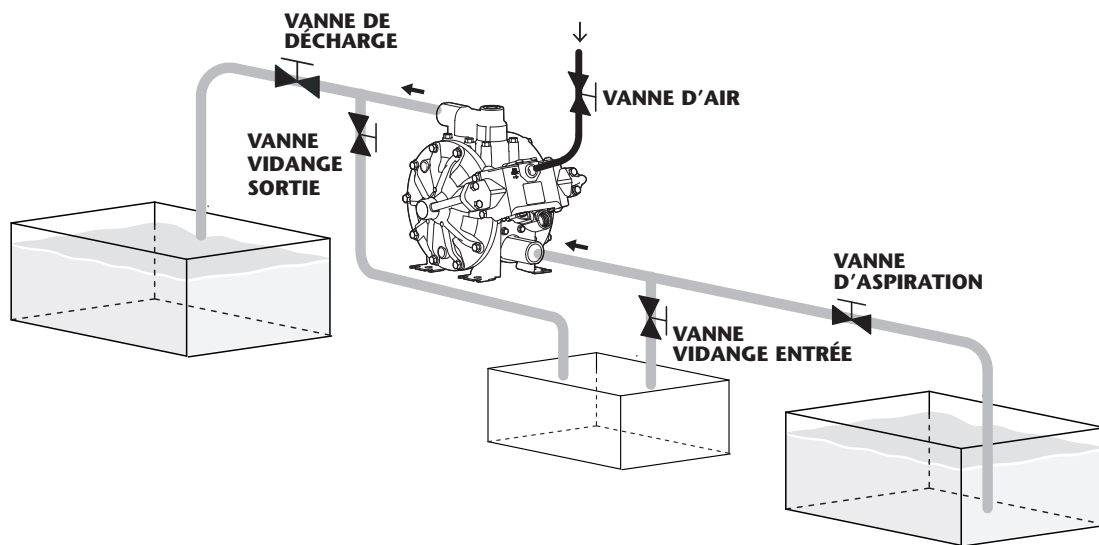
MODE D'EMPLOI

CETTE POMPE EST AUTO-AMORÇANT

Pour l'amorcer la première fois, vous devez connecter l'alimentation de la pompe à air à une basse pression à l'aide des régulateurs de pression tout en gardant la vanne de sortie ouverte. Lorsque le fluide commence à s'écouler de la sortie de la pompe, la pompe est amorcée. Pour la régulation de la pression du fluide, l'unité doit être alimentée avec une pression d'air comprise entre 1,5 et 8 bar (20 et 120 psi). Ajustez la vanne de refoulement du côté refoulement pour contrôler le débit. Pour les caractéristiques de performance de la pompe, voir la courbe de capacité.

ARRÊT DE LA POMPE POUR LES TÂCHES DE MAINTENANCE

- Arrêtez l'alimentation en air.
- Assurez-vous pour votre sécurité que la vanne d'air est fermée.
- Fermez la vanne de refoulement et la vanne d'aspiration. Ouvrez les vannes de vidange d'entrée et de sortie.
- Ouvrir la vanne d'air de la pompe, mettre la pompe en marche et rincer le fluide restant.
- Fermez la vanne d'air.
- Après s'être assuré que la pompe était éteinte et que la pression était relâchée, la pompe est prête pour son entretien.



MISE À LA TERRE DE LA POMPE

Lors de l'installation de la pompe, assurez-vous d'effectuer la mise à la terre à l'emplacement spécifié.

Connectez également les fils de terre pour l'équipement auxiliaire et la tuyauterie. Utilisez un câble de mise à la terre d'au moins calibre 12 (2,0 mm²).

Si la pompe que vous avez achetée est valable pour Atex, une notice spécifique Atex accompagnera celle-ci. Lisez ce manuel avant d'utiliser la pompe.

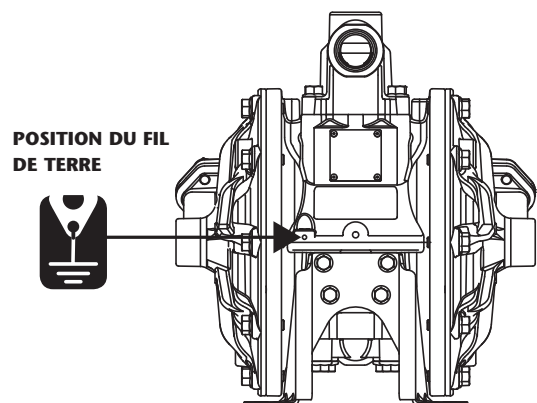
Si l'appareil est marqué du symbole Ex , il peut être utilisé dans des atmosphères explosives. Sous ce symbole, sur la plaque signalétique de la pompe, sont indiqués les domaines pour lesquels l'équipement est homologué. Vous trouverez également la température de surface maximale admissible dans la même plaque.



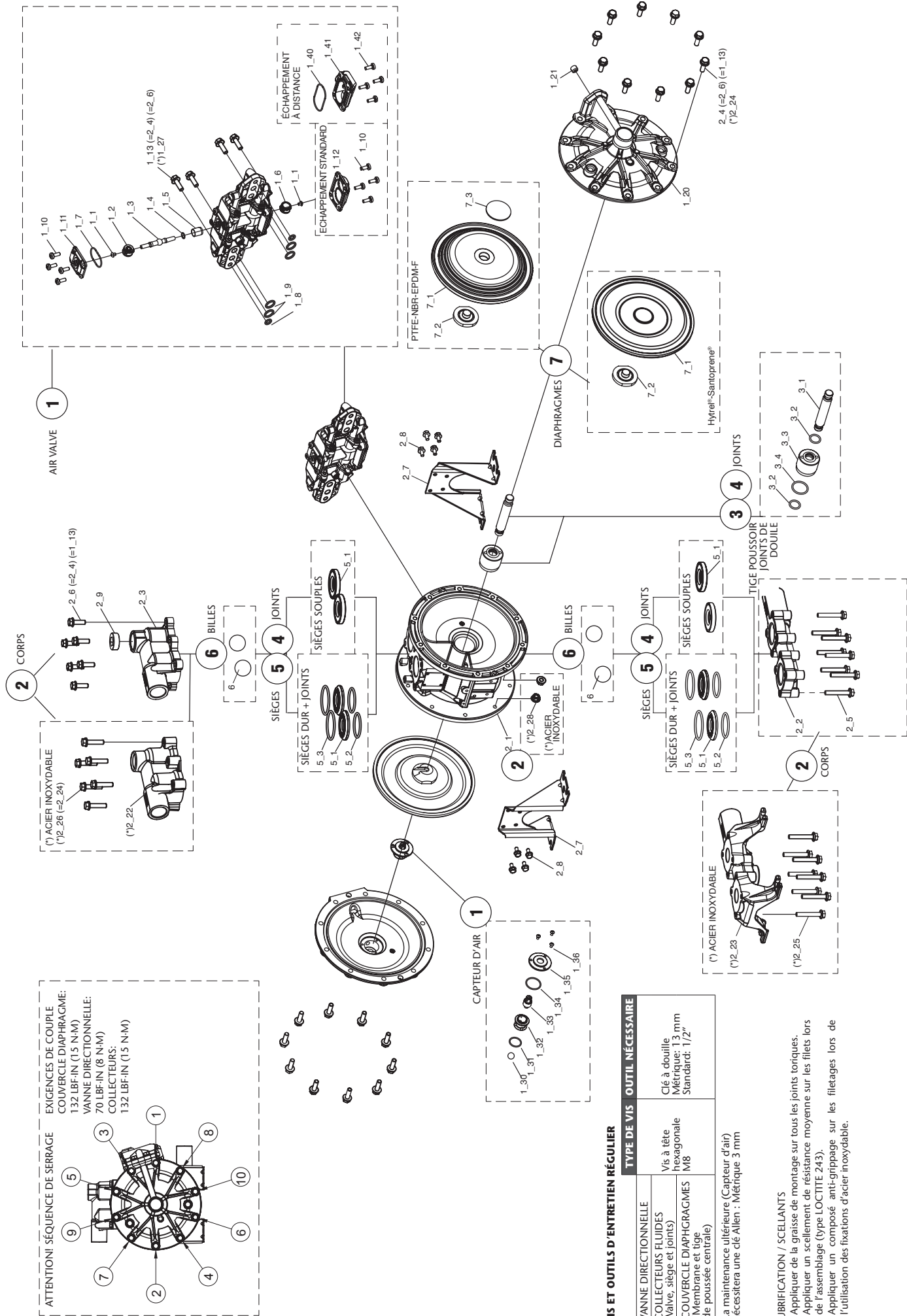
ATTENTION

Connectez les fils de mise à la terre à la pompe, la tuyauterie et tous les autres l'équipement aussi.

Lorsque la pompe fonctionne sans mise à la terre ou avec une connexion incorrecte, la friction entre les pièces et l'abrasion causée par certains fluides qui s'écoulent à l'intérieur de la pompe peuvent générer de l'électricité statique. De plus, selon le type de pompe à fluide et l'environnement d'installation (comme les gaz dans l'air ou le type d'installations environnantes), l'électricité statique peut provoquer un incendie ou un choc électrique.



DESSIN DES PIÈCES DE POMPE MÉTALLIQUE



ATTENTION: SÉQUENCE DE SERRAGE

EXIGENCES DE COUPLE

COUVERCLE DIAPHRAGME:
132 LBF-IN (15 N·M)

VANNE DIRECTIONNELLE:
70 LBF-IN (8 N·M)

COLLECTEURS:
132 LBF-IN (15 N·M)

VIS ET OUTILS D'ENTRETIEN RÉGULIER

TYPE DE VIS		OUTIL NÉCESSAIRE
VANNE DIRECTIONNELLE	Vis à tête hexagonale	Clé à douille Métrique: 13 mm Standard: 1/2"
COLLECTEURS FLUIDES (Valve, siège et joints)	M8	
COUVERCLE DIAPHRAGMES (Membrane et tige de poussée centrale)	M8	

*La maintenance ultérieure (Capteur d'air) nécessitera une clé Allen; Métrique 3 mm

LUBRIFICATION / SCELLANTS

- Appliquer de la graisse de montage sur tous les joints toriques.
- Appliquer un scellement de résistance moyenne sur les filets lors de l'assemblage (type LOCTITE 243).
- Appliquer un composé anti-grippage sur les filetages lors de l'utilisation des fixations d'acier inoxydable.

POMPE MÉTALLIQUE

DP200	X	X	X	X	X	X	X	X	X	X	X
	1	2	3	4	5	6	7	8	9		
VANNE D'AIR A Aluminium S Acier inoxydable	CORPS POMPE A Aluminium S Acier inoxydable	POUSSOIR S Acier inoxydable	JOINTS N NBR V FKM E EPDM T PTFE	SIÈGES S Acier inoxydable A Aluminium P Polypropylène N NBR M Santoprene® H Hytrel®	BILLES T PTFE C POM S Acier inoxydable N NBR	DIAPHRAGMES H Hytrel® T PTFE M Santoprene® N NBR	CONNEXIONS B BSP N NPT	OPTIONS A Pompe standard B Kit inclus d'échappement à distance C Détecteur de fuite à membrane D Capteur de cycle E Commande externe avec électrovanne (non incluse) F Silencieux inclus G Commande externe avec électrovanne (non incluse) et capteurs inductifs de fin de course NPN (inclus) I Commande externe avec électrovanne (non fournie) et capteurs inductifs de fin de course ATEX-Namur (inclus) U Pompe adaptée aux fluides UV			

1	VANNE D'AIR	
	VANNE D'AIR	CAPTEURS D'AIR
A	POS 1_1 à 1_13 558525	POS 1_30 à 1_36 558527
	POS 1_40 à 1_42 558562	

2	CORPS CENTRAL ET COLLECTEUR		
	COLLECTEUR D'ADMISSION	COLLECTEUR DE SORTIE	
	POS 2_2	POS 2_3	
A	FILETAGE BSP 755126.001	FILETAGE NPT 755126.301	FILETAGE NPT 755125.001
S	855054	855054.300	855053.300

3	KIT RÉPARATION DE TIGE POUSSOIR	
TIGE POUSSOIR	CODE KIT	CODAGE NUMÉRIQUE 55XXXX
S	558556	-
S	558557	-
S	558566	-
S	558554	555010/555030

5	SIÈGES KIT DE RÉPARATION DES VALVES	
SIÈGES	CODE KIT	CODAGE NUMÉRIQUE 55XXXX
A	558539	-
A	558540	-
A	558541	-
A	558542	-
S	558551	-
N	558535	555030
H	558552	555010
M	558553	-

6	KIT DE RÉPARATION DE VANNE À BILLE	
	CODE KIT	CODAGE NUMÉRIQUE 55XXXX
T	558529	-
C	558528	551010/555030
S	558530	-
N	558531	-

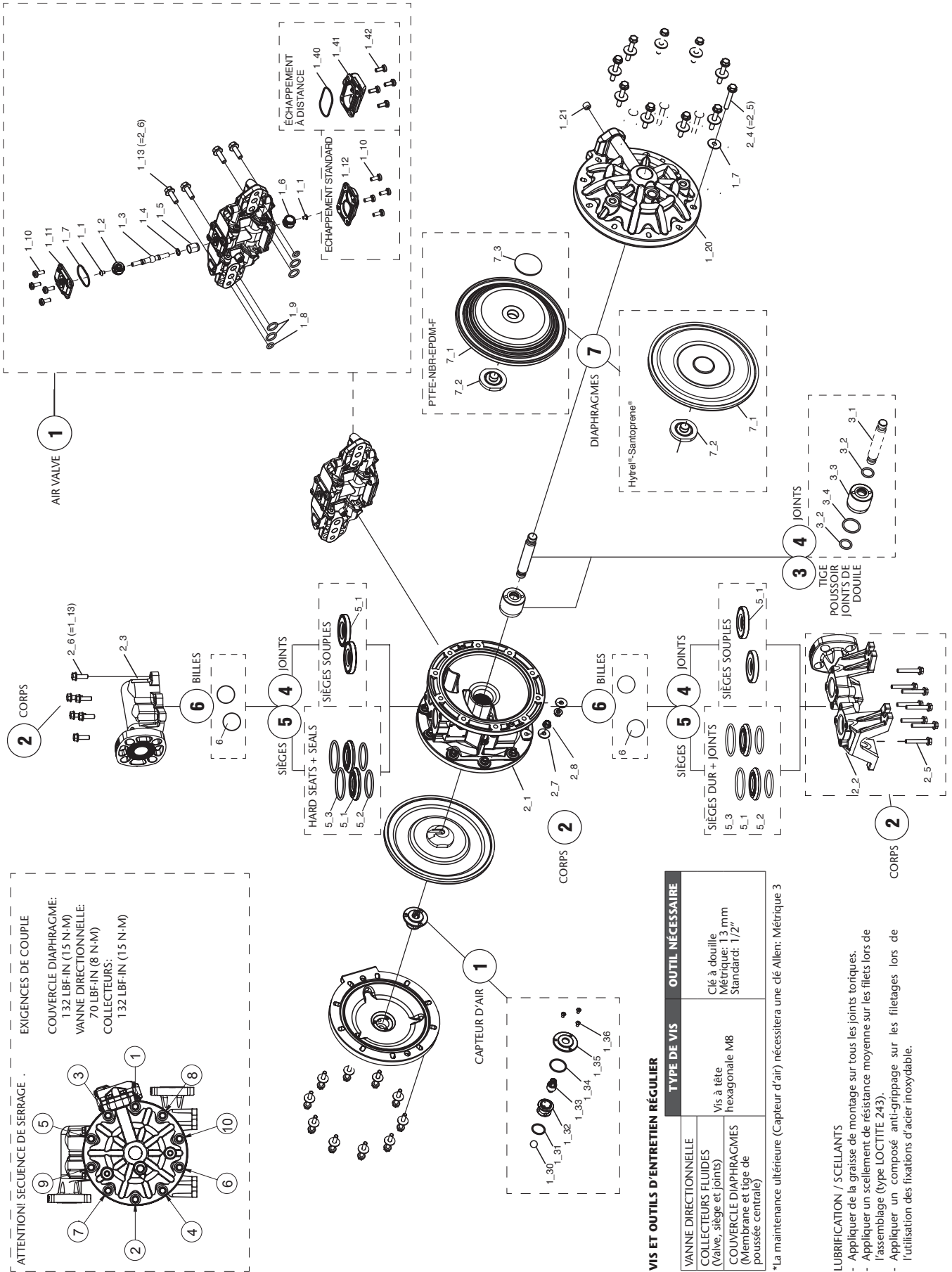
7	DIAPHRAGMES	
	CODE KIT	CODAGE NUMÉRIQUE 55XXXX
H	558521	555010
M	558523	-
N	558561	555030
T	558522	-

ÉTIQUETTE DES CARACTÉRISTIQUES TECHNIQUES



MODÈLE:
 55XXXX (codage numérique)
 DP200XXXXXXXXXX (codage alphanumérique)

DESSIN DES PIÈCES DE POMPE NON-MÉTALLIQUE



VIS ET OUTILS D'ENTRETIEN RÉGULIER

TYPE DE VIS	OUTIL NÉCESSAIRE
VANNE DIRECTIONNELLE	
COLLECTEURS FLUIDES (Vanne, siège et joints)	Clé à douille Métrique: 13 mm Standard: 1/2"
COUVERCLE DIAPHRAGMES (Membrane et tige de poussée centrale)	Vis à tête hexagonale M8

*La maintenance ultérieure (Capteur d'air) nécessitera une clé Allen: Métrique 3

LUBRIFICATION / SCELLANTS

- Appliquer de la graisse de montage sur tous les joints toriques.
- Appliquer un scellement de résistance moyenne sur les filets lors de l'assemblage (type LOCTITE 243).
- Appliquer un composé anti-grippage sur les filetages lors de l'utilisation des fixations d'acier inoxydable.

POMPE NON-MÉTALLIQUE

DP200	X	X	X	X	X	X	X	X	X	X	X
--------------	----------	----------	----------	----------	----------	----------	----------	----------	----------	----------	----------

1	2	3	4	5	6	7	8	9
VANNE D'AIR P Polypropylène	CORPS POMPE P Polypropylène B PP Conductive W PVDF	POUSSOIR S Acier inoxydable Y Hastelloy® C	JOINTS N NBR V FKM E EPDM T PTFE	SIÈGES P Polypropylène C POM W PVDF M Santoprene® H Hytrel®	BILLES T PTFE C POM S Acier inoxydable N NBR	DIAPHRAGMES H Hytrel® T PTFE M Santoprene® N NBR	CONNEXIONS F Bride	OPTIONS A Pompe standard B Kit inclus d'échappement à distance C Détecteur de fuite à membrane D Capteur de cycle E Commande externe avec électrovanne (non incluse) F Silencieux inclus G Commande externe avec électrovanne (non incluse) et capteurs inductifs de fin de course NPN (inclus) I Commande externe avec électrovanne (non fournie) et capteurs inductifs de fin de course ATEX-Namur (inclus) U Pompe adaptée aux fluides UV

1	VANNE D'AIR	VANNE D'AIR
P	POS 1_1 a 1_13 558525	CAPTEURS D'AIR POS 1_30 a 1_36 558527
		ÉCHAPPEMENT À DISTANCE POS 1_40 a 1_42 558562

2	CORPS CENTRAL	CORPS CENTRAL ET COLLECTEUR
P	POS 2_1 755552	COLLECTEUR D'ADMISSION POS 2_2 896642
B	755553	COLLIER DIN/ANSI 896643
W	755556	896646
		COLLECTEUR DE SORTIE POS 2_3 755560
		894637
		755561

3	TIGE POUSSOIR	JOINTS	KIT DE RÉPARATION DE TIGE DE POUSSOIR	CODE KIT	CODAGE NUMÉRIQUE 55XXXX
S	V	V	POMPE ATEX	558556	558555
S	E	E	POMPW NO ATEX	558557	558558
S	T	T		558566	558560
Y				558559	-

5	SIÈGES	JOINTS	SIÈGES KIT DE RÉPARATION DES VALVES	CODE KIT	CODAGE NUMÉRIQUE 55XXXX
P	V	V		558544	555164
P	E	E		558545	-
P	T	T		558546	-
C	V	V		558536	-
C	E	E		558537	-
C	T	T		558538	-
W				558548	-
H				558552	-
M				558553	-

6	KIT DE RÉPARATION DE VANNE À BILLE
T	CODE KIT 558529
C	CODAGE NUMÉRIQUE 55XXXX 558528
S	558530
N	558531

7	DIAPHRAGMES
H	CODE KIT 558521
M	CODAGE NUMÉRIQUE 55XXXX 558523
N	558561
T	(1) 558522
	(2) 558567

(1) Pour pompe équipée d'un poussoir central d'acier inoxydable
(2) Pour pompe équipée d'un poussoir central Hastelloy® C.

ÉTIQUETTE DES CARACTÉRISTIQUES TECHNIQUES



MODÈLE: 55XXXX (codage numérique)
DP200XXXXXXXXXX (codage alphanumérique)

CAUSE	SOLUTION RECOMMANDÉE
LA POMPE NE FONCTIONNE PAS	
La vanne de refoulement côté refoulement n'est pas ouverte.	Ouvrir la vanne de refoulement côté refoulement.
Pas d'alimentation en air.	Allumez le compresseur et ouvrez la vanne d'air et le régulateur d'air.
La pression d'alimentation en air est faible.	Vérifiez le compresseur et la configuration de la conduite d'air.
Fuites d'air dans les éléments de connexion.	Vérifier les éléments de connexion et le serrage des vis.
Les conduites d'air ou les équipements auxiliaires sont obstrués par de la boue.	Vérifiez et nettoyez la conduite d'air.
L'orifice d'échappement (silencieux) de la pompe est obstrué par de la boue.	Vérifiez et nettoyez l'orifice d'échappement et le silencieux.
Le tuyau de fluide est bouché par de la boue.	Vérifiez et nettoyez la conduite de fluide.
La pompe est bouchée par de la boue.	Retirez, inspectez et nettoyez le corps de la pompe.

LA POMPE FONCTIONNE MAIS AUCUN LIQUIDE NE SORT	
La vanne côté aspiration n'est pas ouverte.	Ouvrir la vanne côté aspiration.
Hauteur d'aspiration ou de refoulement trop élevée.	Confirmez la configuration du tuyau et réduisez la hauteur de celui-ci.
Le côté refoulement du tuyau de fluide (y compris le filtre) est obstrué par de la boue.	Vérifiez et nettoyez la conduite de fluide.
La pompe est bouchée par de la boue.	Démonter la pompe, vérifier et nettoyer.
La boule et le siège de la boule sont usés ou endommagés.	Inspectez et remplacez les pièces.

LE FLUX DIMINUE	
La pression d'alimentation en air est faible.	Vérifiez le compresseur et la configuration de la conduite d'air.
La conduite d'air ou l'équipement périphérique est obstrué par de la boue.	Vérifiez et nettoyez la conduite d'air.
L'entraînement côté refoulement de la vanne ne s'ouvre pas normalement.	Réglez la décharge de la soupape de décharge.
L'air se mélange au fluide.	Faire l'appoint de liquide et vérifier la configuration de la tuyauterie côté aspiration.
La cavitation se produit.	Ajustez la pression d'alimentation en air et la pression de refoulement et réduisez l'aspiration.
Vibrations.	Ajuster la pression d'alimentation en air et la pression de refoulement. Réduisez le débit de la vanne ENTRÉE pour régler la pression et le volume de fluide.
Formation de glace dans l'échappement d'air.	Retirez la glace de la soupape de dérivation d'air et vérifiez et nettoyez le filtre à air. Utiliser un tuyau d'évacuation d'air pour que la glace ne se forme pas dans le silencieux.
La conduite de fluide (y compris le filtre) est obstruée par de la boue.	Vérifiez et nettoyez le tuyau de fluide et la crépine.
L'orifice d'échappement (silencieux) de la pompe est obstrué par de la boue.	Vérifiez et nettoyez l'orifice d'échappement et le silencieux.
La pompe est bouchée par la boue.	Retirez, inspectez et nettoyez le corps de la pompe.

FUITE DE LIQUIDE PAR L'ÉCHAPPEMENT CREUX (SILENCIEUX)	
Le diaphragme est endommagé.	Retirer et inspecter la pompe et remplacer le diaphragme.

BRUIT IRRÉGULIER	
La pression d'alimentation en air est trop élevée.	Ajuster la pression d'alimentation en air.
La pompe est obstruée par des particules de boues plus grosses que le diamètre autorisé.	Démonter, contrôler et nettoyer le corps de pompe.

VIBRATION IRRÉGULIÈRE	
Les éléments de liaison et le support de la pompe sont lâches.	Revoir chaque élément de connexion et serrer les vis.
La pression d'alimentation en air est trop élevée.	Ajuster la pression d'alimentation en air.
La cuisinière et le robinet à tournant sphérique vibrent.	Réglez la pression d'alimentation en air et la pression d'échappement.

EN FLUIDE AVEC BULLES D'AIR	
Diaphragme endommagé.	Remplacez le diaphragme.
Tuyau d'aspiration desserré ou cassé.	Serrez ou remplacez.

PRESSION DE FUITE D'AIR ALIMENTÉE DE 1,5 À 8 BAR (20 À 120 PSI)	
Vannes d'air épuisées	Remplacez la vanne d'air

PAS DE DEMARRAGE ET FUITE D'AIR SANS CYCLES	
Capteur d'air dur	Changez le Capteur d'air dur
Vanne d'air épuisée	Remplacez.

PROCÉDURES DE RÉPARATION ET D'ENTRETIEN

COUPLES NECESSAIRES AU BON FONCTIONNEMENT DE LA POMPE

Pour un bon fonctionnement de la pompe et pour éviter les accidents pouvant endommager le matériel et dans le pire des cas, les personnes, vous devez revoir périodiquement les couples des couvercles diaphragmes et de la vanne directionnelle. Dans le tableau suivant sont indiqués les couples appropriés à cet effet

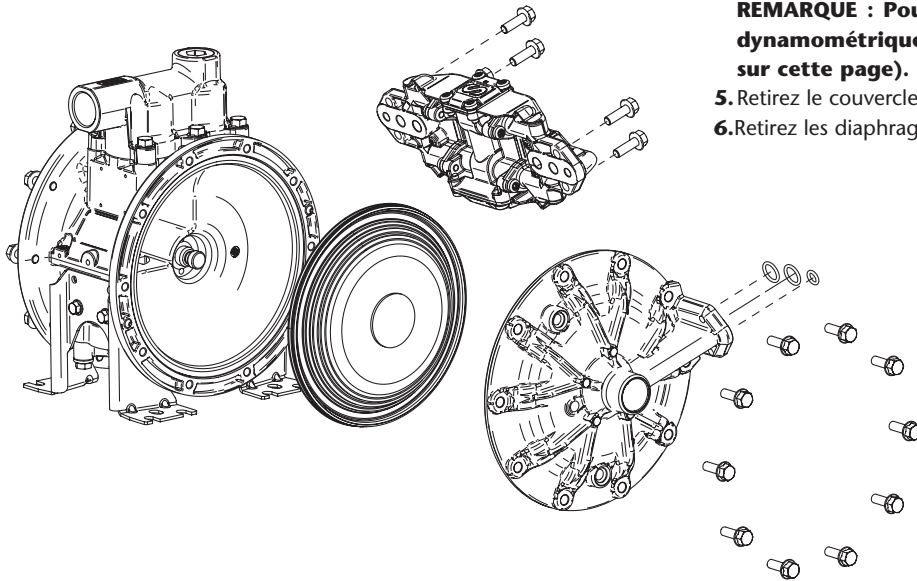
COUPLES DP200	Couvercle de diaphragme	132 lbf-in (15 N·m)
	Vanne directionnelle	70 lbf-in (8 N·m)
	Collecteurs	132 lbf-in (15 N·m)

AVERTISSEMENT!: NE PAS TROP SERRER LES FIXATIONS.

ENTRETIEN DU DIAPHRAGME

Avant toute intervention : DÉBRANCHER L'ALIMENTATION EN AIR DE LA POMPE. IL N'EST PAS NÉCESSAIRE DE RETIRER LA POMPE DE LA CONDUITE DE FLUIDE

ANTICIPER UNE FUITE POSITIVE DE LIQUIDE À L'INTÉRIEUR DE LA POMPE.



ENLÈVEMENT DIAPHRAGME:

1. Fermez les vannes d'admission et de refoulement des fluides.
2. Vidanger le fluide à l'intérieur de la pompe.
3. Retirer la vanne directionnelle en faisant attention de ne pas endommager les joints entre la vanne d'air et la membrane.
4. Retirer les vis du couvercle diaphragme.
REMARQUE : Pour serrer ces vis, vous devez utiliser une clé dynamométrique calibrée pour (voir le tableau des couples sur cette page).
5. Retirez le couvercle en tirant doucement vers l'arrière.
6. Retirez les diaphragmes usagés.

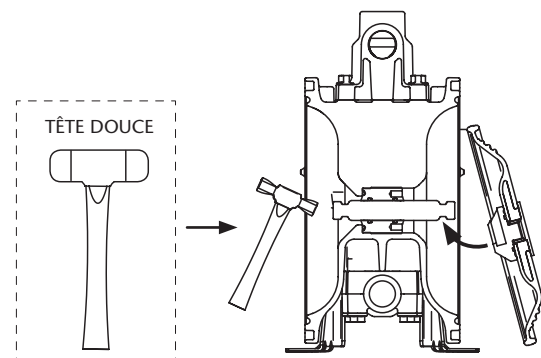
REMARQUE: Faites attention à ne pas perdre les joints entre la valve et le couvercle du diaphragme.

DES NOUVEAUX DIAPHRAGMES - PROCEDURE D'ASSEMBLAGE

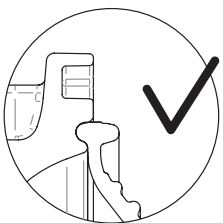
AVERTISSEMENT: Suivez la procédure suivante pour vous assurer que les diaphragmes ont correctement installés. Si ce n'est pas suivi, le cordon de la membrane pourrait être extrudé hors de son logement avec les dommages résultants sur le cordon de la membrane et ainsi des fuites de fluide possibles ou une défaillance prématurée de la membrane.

1. **PRÉPARATION DE LA TIGE CENTRALE POUR L'INSTALLATION DU DIAPHRAGME:** À l'aide d'un marteau à tête souple, déplacez la tige centrale hors du corps suffisamment pour installer le diaphragme sans le déformer.

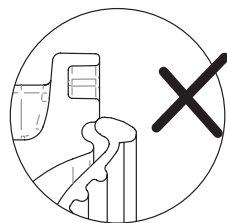
Évitez d'installer le diaphragme sans préparer la tige centrale dans sa position correcte. Le bourrelet du diaphragme pourrait être endommagé lors de l'installation du couvercle du diaphragme.



AVERTISSEMENT!



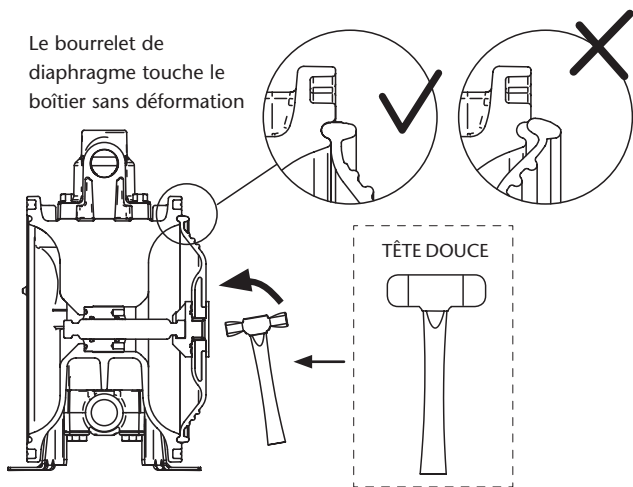
1. Montage correct du diaphragme avant le montage du couvercle du diaphragme.



2. Montage incorrect de la membrane. Dommages possibles lors du montage du couvercle du diaphragme

2. PREMIER ALIGNEMENT DU DIAPHRAGME

À l'aide du marteau à tête douce, alignez à nouveau le cordon du diaphragme jusqu'à ce que le cordon touche le boîtier sans déformation.

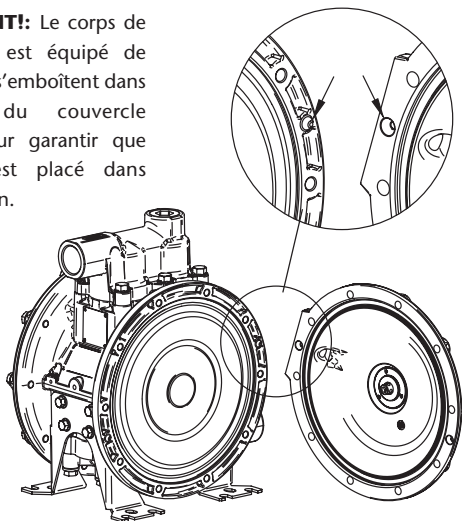


3. INSTALLATION COUVERCLE DIAPHRAGME

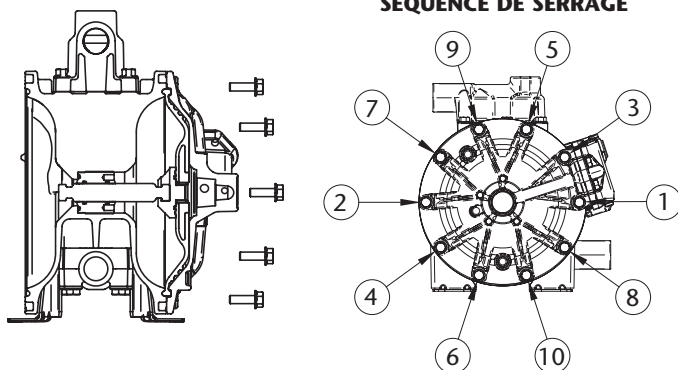
Placez le couvercle diaphragme et rapprochez-le à l'aide des boulons (suivez la SÉQUENCE DE SERRAGE).

Une fois approximé, coupez @132 lbf-in (15 N·m).

AVERTISSEMENT! Le corps de pompe DP200 est équipé de deux tétons qui s'emboîtent dans deux trous du couvercle diaphragme pour garantir que le couvercle est placé dans sa bonne position.

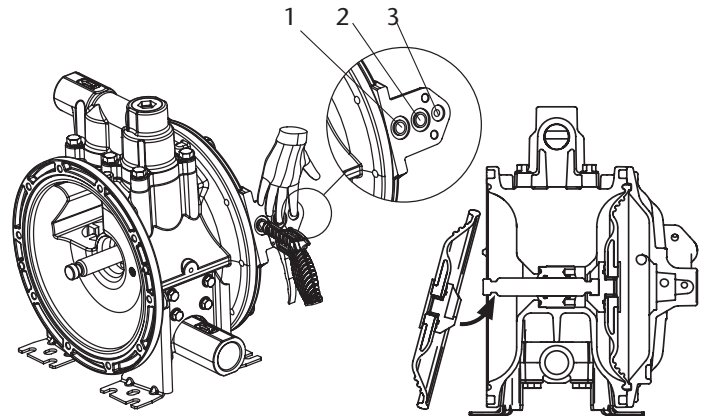


SÉQUENCE DE SERRAGE



4. LIBÉRATION CENTRALE DE LA TIGE POUR L'ALIGNEMENT DU DEUXIÈME DIAPHRAGME

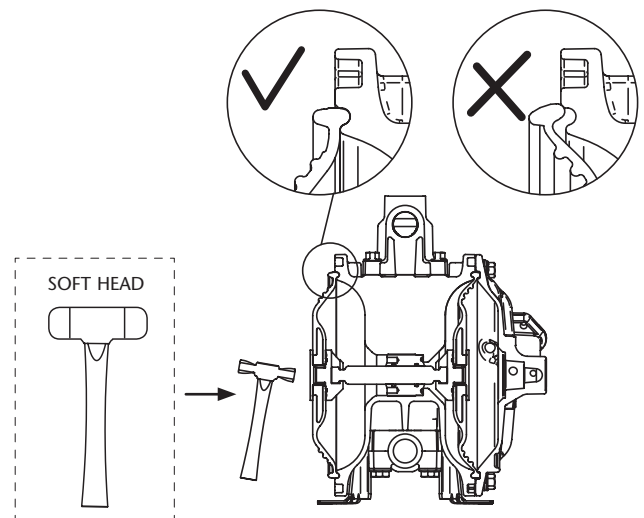
À l'aide d'un pistolet à air alimenté avec une pression d'air maximale de 1 bar (15 psi), injectez de l'air dans la chambre à air du couvercle diaphragme par le trou n°1 tout en fermant les trous n°2 et n°3. L'air comprimé repoussera la tige centrale permettant l'installation du diaphragme sans déformation.



Lorsque le trou n°1 est alimenté en air comprimé en fermant n°2 et n°3 l'air entre dans la chambre, déplaçant la tige centrale et permettant d'installer le diaphragme.

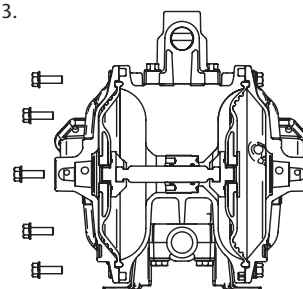
5. DEUXIÈME ALIGNEMENT DU DIAPHRAGME

Installer le diaphragme restant et à nouveau, à l'aide d'un marteau à tête douce, aligner le bourrelet de diaphragme jusqu'à ce que le bourrelet touche le boîtier sans déformation.



6. INSTALLATION SECONDE COUVERCLE DIAPHRAGME

Suivre la même procédure que pour le premier couvre-diaphragme décrit au point n°3.

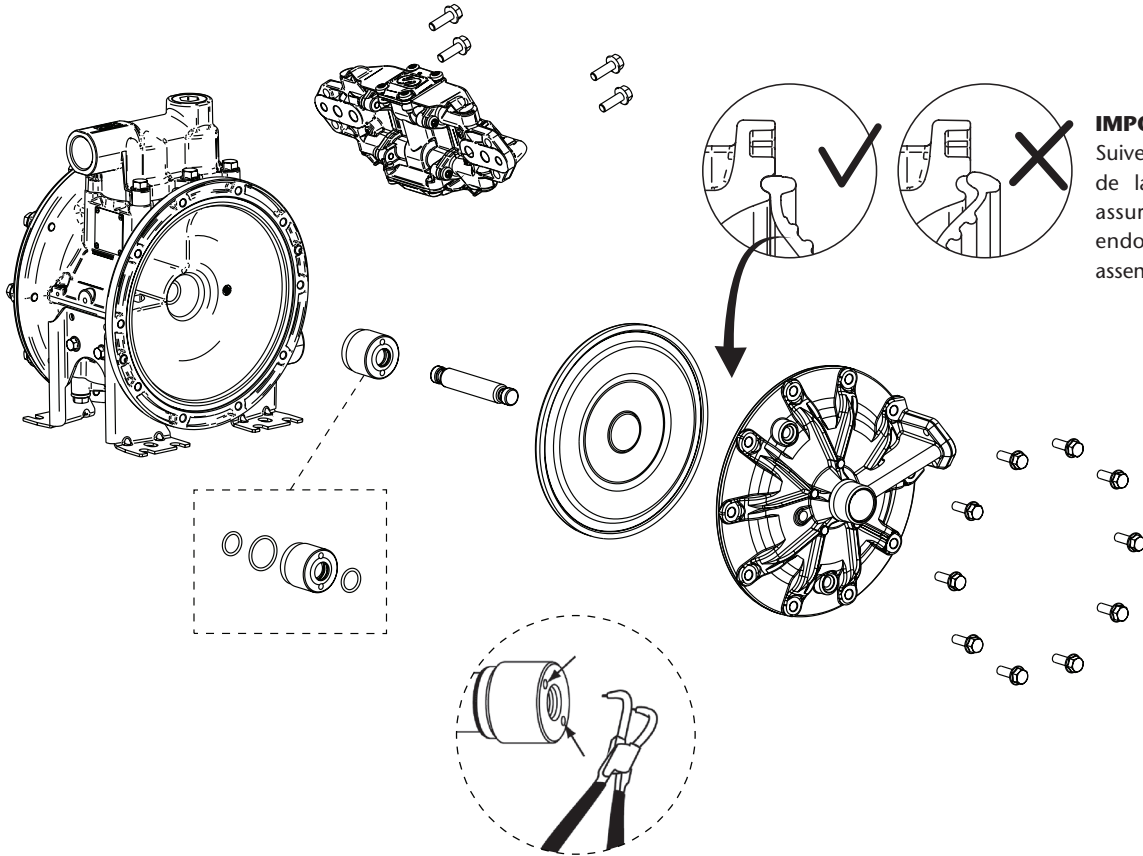


PROCÉDURES DE RÉPARATION ET D'ENTRETIEN

ENTRETIEN DE LA TIGE DE POUSSOIR/DOUILLE CENTRALE ET JOINT

REMARQUE: la tige de poussée centrale est placée entre les membranes de la pompe.

1. Retirez le couvercle du diaphragme sur le côté droit (en regardant la pompe par la plaque d'identification) comme indiqué sur la figure, en suivant la procédure pour « Remplacer les diaphragmes ».
 2. Retirez l'arbre de son logement en le tirant par une extrémité.
 3. Le manchon en Teflon® est vissé dans le corps. Pour le retirer, utilisez une pince à circlips dans les deux trous indiqués sur la figure.
 4. Une fois le manchon retiré, retirez le joint torique à l'intérieur du corps de la pompe.
- Remplacez le kit en suivant l'ordre indiqué sur le schéma d'assemblage. Le joint torique entre le corps et le manchon peut tomber lors de l'installation, appliquez de la graisse de montage pour attaquer le joint torique sur le manchon lors du filetage. Remonter la pompe dans l'ordre inverse.



IMPORTANT:

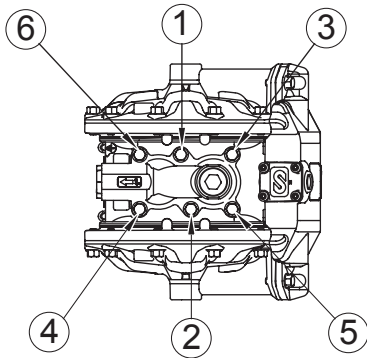
Suivez la procédure d'entretien de la membrane pour vous assurer qu'elle n'est pas endommagée lors de son assemblage.

ENTRETIEN DES VANNES À BILLE ET DES SIÈGES

1. Fermer les vannes de fluide.
 2. Vidangez le fluide de l'intérieur de la pompe. Anticiper un drainage de fluide de l'intérieur de la pompe.
 3. Retirez les collecteurs d'entrée et de sortie. Prendre note de l'orientation des collecteurs.
 4. Installez un nouvel ensemble de soupapes ou de sièges conformément à ces schémas d'assemblage. Serrez les boulons du collecteur avec un couple maximum de 132 lbf-in (15 N·m).
- IMPORTANT:** Toujours approximer les boulons du collecteur avant le serrage final.
5. Assembler la vanne directionnelle en faisant attention de ne pas endommager les joints toriques et serrer les vis avec un couple maximum de 70 lbf-in (8 N·m).

ATTENTION!

ATTENTION LOS DE L'UTILISATION DE JOINTS DE TUYAUTERIE
Le collecteur des pompes DP200 équipé d'un joint torique en PTFE (Teflon®) doit être serré en suivant la séquence indiquée.
Toujours serrer les boulons (1) et (2), en premier lieu pour éviter d'endommager le collecteur et les joints.



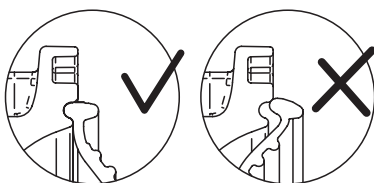
ENTRETIEN CAPTEUR D'AIR

Les capteurs d'air sont sur la partie intérieure du couvercle de diaphragmes.
Pour y accéder, suivre la procédure du «Remplacement des membranes».

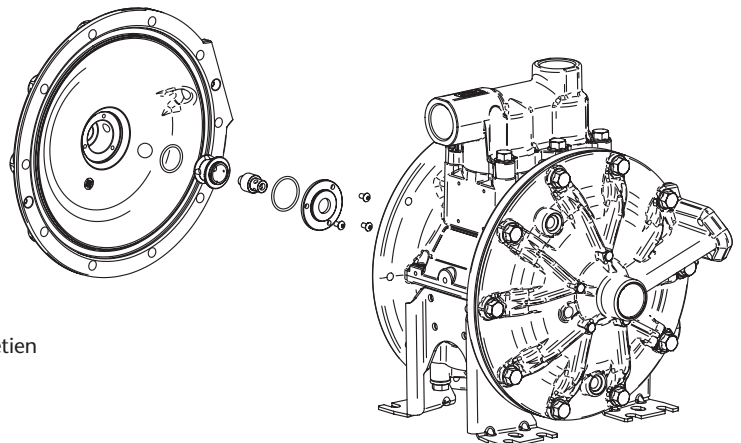
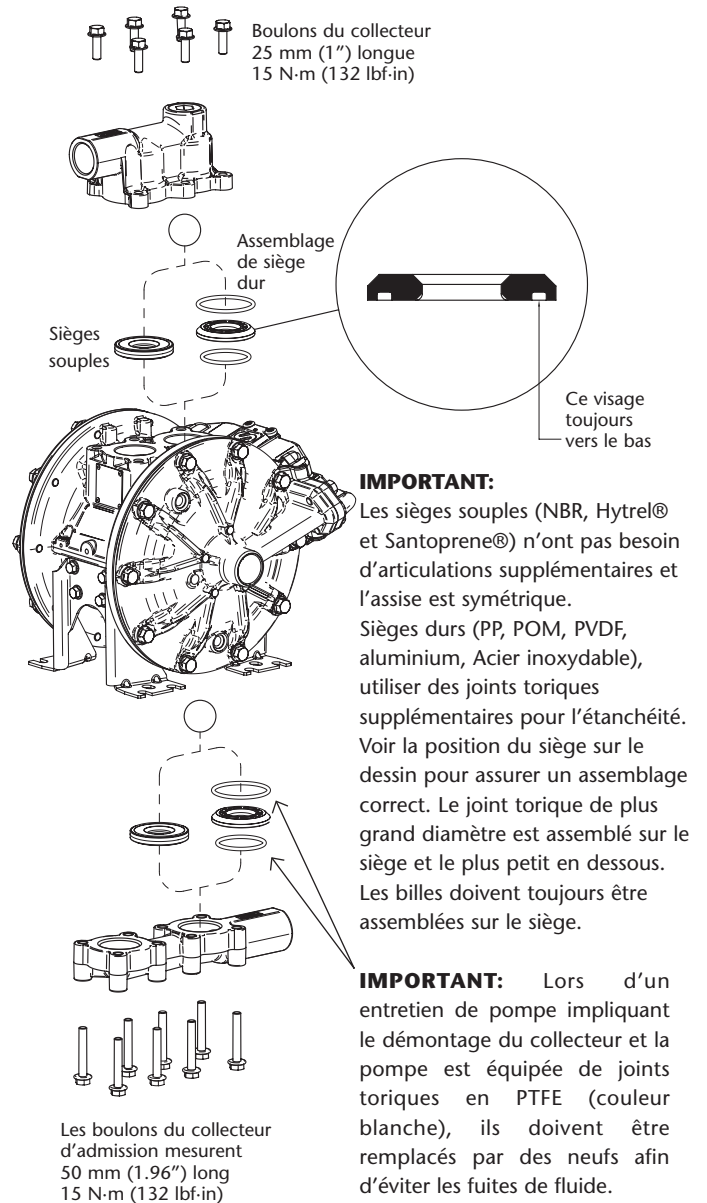
Une fois les couvercles retirés, procédure suivante :

1. Retirez les trois vis qui fixent le capteur d'air au-dessus.
2. Retirez tous les composants du capteur. Nettoyez la zone.
3. Introduisez les nouveaux composants dans l'ordre indiqué.
4. Montez les autres composants dans l'ordre inverse.
Monter le couvercle latéral et serrer les vis.

KIT CAPTEUR D'AIR: 558527

**IMPORTANT:**

Suivez la procédure d'entretien de la membrane pour vous assurer qu'elle n'est pas endommagée lors de son assemblage.



WARN - UND SICHERHEITSHINWEISE

In diesem Dokument finden Sie Warnhinweise und Vorsichtsmaßnahmen für die Installation, den Gebrauch und die Wartung der Pumpen. Im Folgenden geben wir die Bedeutung der Symbole an und nennen einige allgemeine Warnhinweise, die Sie beachten sollten.

! **WARNUNG:** Dieses Symbol weist darauf hin, dass schwere Verletzungen oder Tod drohen, wenn der beschriebene Warnhinweis missachtet wird.
! **VORSICHT:** Dieses Symbol weist auf Verletzungs- bzw. Beschädigungsgefahr hin, wenn der beschriebene Sicherheitshinweis missachtet wird.

! **WARNUNG:** **Lesen Sie die Bedienungsanleitung und die Warnhinweise sorgfältig durch, bevor Sie das Gerät in Betrieb nehmen!**

- Dieses Gerät ist nur für den professionellen Gebrauch bestimmt.
- Die Integrität der Ausrüstung darf nicht verändert werden. Verwenden Sie nur Originalkomponenten von Samoa Industrial, S.A.
- Flüssigkeiten, die nicht für die Pumpe geeignet sind, können das Pumpenaggregat beschädigen und die Gefahr schwerer Personenschäden in sich bergen. Wenden Sie sich immer an Ihren Samoa Industrial, S.A. Händler, wenn Sie Zweifel an der Kompatibilität der Flüssigkeiten mit den Pumpenwerkstoffen, einschließlich Elastomeren, haben.
- Installieren und verwenden Sie die Pumpe stets in Übereinstimmung mit den örtlichen und nationalen Gesundheits- und Sicherheitsvorschriften und Gesetzen.
- Die Pumpe kann Flüssigkeitsdrücke erzeugen, die dem Luftversorgungsdruck entsprechen. Überschreiten Sie nicht den maximal zulässigen Luftzufuhrdruck von 8 bar (120 psi). Der gesamte hydraulische Druck (Systemdruck + Differenzdruck) darf niemals 8 bar (120 psi) überschreiten.
- Verwenden Sie niemals eine Pumpe, die undicht oder beschädigt ist, korrodiert oder anderweitig nicht in der Lage ist, die innere Flüssigkeit oder den Luftdruck zu halten.
- Überprüfen Sie häufig, ob die Schrauben des Pumpendeckels richtig angezogen sind.
- Verwenden Sie keine Modelle mit benetzten Teilen auf Aluminiumbasis zum Pumpen von Produkten für den menschlichen Verzehr, da Spuren von Blei vorhanden sein können.
- Explosionsgefahr, wenn 1,1,1-Trichlorethan, Methylenchlorid oder andere halogenierte Kohlenwasserstoff-Lösungsmittel in unter Druck stehenden Fluidsystemen mit Aluminiumkomponenten im Fluidteil verwendet werden. Sie könnte schwere Sachschäden und sogar den Tod verursachen.
- Im Inneren der Pumpe trennen zwei Membranen die gepumpte Flüssigkeit von der Luftversorgung. Wenn ein Diaphragma bricht, kann die Flüssigkeit durch den Luftauslass ausgeblasen werden.
- Beim Umgang mit gefährlichen Flüssigkeiten den Luftauslass immer an einen geeigneten und sicher platzierten Behälter anschließen (optionales Anschlussystem auf Anfrage). Nicht mit der Ausrüstung geliefert).
- Wenn sich die Produktquelle auf einem höheren Niveau als die Pumpe befindet (überflutete Ansaugung), sollte der Auslass durch ein Rohr auf ein höheres Niveau als das Produkt geleitet werden, um ein Verschütten durch Siphonieren zu verhindern.
- Für Pumpen, die Flüssigkeiten fördern, die für Menschen oder die Umwelt gefährlich sind, sollte eine Art Behälter oder Gefäß installiert werden, um mögliche Leckagen aufzufangen und ein Verschütten zu verhindern.
- Stellen Sie sicher, dass der Bediener dieser Ausrüstung in der Bedienung, den Einschränkungen und der Verwendung von Sicherheitsausrüstung wie Schutzbrille oder anderer erforderlicher Ausrüstung geschult ist.

BESCHREIBUNG

Druckluftbetriebene Doppelmembranpumpen sind oszillierende Verdrängerpumpen mit zwei Pumpkammern. Zwei Membranen, die zentral innerhalb der Pumpkammern angebracht sind, trennen die Druckluft (trockene Seite) von der zu fördernden Flüssigkeit (medienberührte Seite). Eine Kolbenstange überträgt die oszillierende Bewegung von einer Membran auf die andere. Über ein Wegeventil wird im Wechsel die eine oder die andere Kammer mit Druckluft beaufschlagt; hierdurch entsteht die oszillierende Bewegung der Membranen. Mit jedem Hub wird Flüssigkeit durch eine der Membranen verdrängt, während die jeweils andere Membran das Fördermedium in die Medienkammer ansaugt. Rückschlagventile - zwei auf der Druckseite und zwei auf der Saugseite - regeln und steuern den Medienstrom.

MATERIAL	TEMPERATUREINSATZBEREICH
PTFE	5 °C - 105 °C / 41 °F - 221 °F
NBR	10 °C - 80 °C / 50 °F - 176 °F
Acetal	10 °C - 90 °C / 50 °F - 194 °F
Hytrel®	10 °C - 90 °C / 50 °F - 194 °F
Neopren	-18 °C - 93 °C / 0 °F - 200 °F
Santoprene®	-29 °C - 135 °C / -20 °F - 275 °F
Viton®	-10 °C - 177 °C / -4 °F - 351 °F
Polypropylen	10 °C - 80 °C / 50 °F - 176 °F

MONTAGE

EINBAUEMPFEHLUNGEN

- Packen Sie die Pumpe aus und installieren Sie sie an gewünschter Stelle.
- Versuchen Sie, die Ansaughöhe so gering wie möglich zu halten. Bauen Sie die Pumpe so nah wie möglich an das Medium, das gefördert werden soll.
- Stellen Sie sicher, dass um die Pumpe herum ausreichend Platz für Wartungsarbeiten vorhanden ist. Vergewissern Sie sich, dass Saug- und Druckanschlüsse der Pumpe korrekt installiert sind. Bei einem Defekt der Membranpumpe wird das geförderte Medium durch den Luftabzug ausgestoßen. Wird die Pumpe an einem Platz installiert, wo eine Leckage Umweltschäden anrichten kann, sollte der Luftabzug auf eine Stelle gerichtet sein, wo die Leckage aufgefangen werden kann.
- Benutzen Sie beim Einbau der Pump die Halterung; ziehen Sie die Schrauben fest an, um der Pumpe Standfestigkeit zu verleihen.
- Ziehen Sie alle Bolzen mit den Drehmomenten an, die in dieser Bedienungsanleitung vorgesehen sind.

DIE DRUCKLUFTDOPPELMEMBRANPUMPEN DER SERIE DP SIND LEICHT ZU KONFIGURIEREN UND ZU INSTALLIEREN.

GEFLUTET

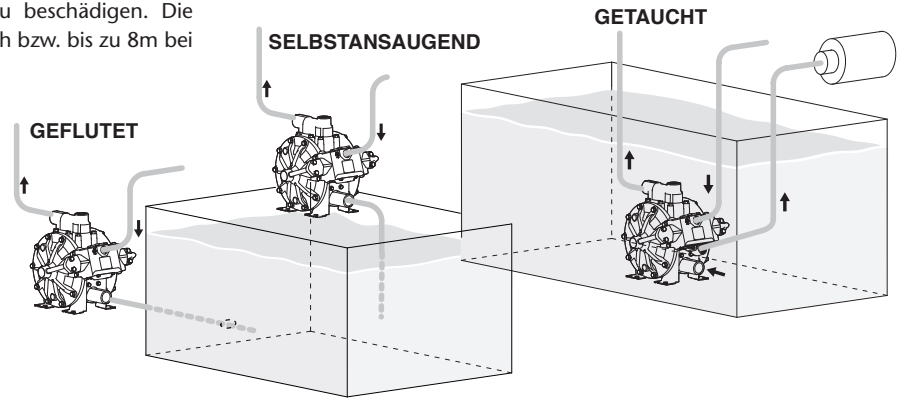
Bei dieser Pumpenanordnung herrscht Überdruck auf der Saugseite. Die ist die bestmögliche Installationsweise, wenn Sie Flüssigkeit aus einem Fass oder Tank absaugen möchten oder wenn Sie mit viskosen Fluiden arbeiten. Nicht empfohlen für gefährliche Medien.

SELBSTANSAUGEND:

Die Pumpe erzeugt Unterdruck. Damit kann der Schlauch oder die Rohrleitung entlüftet werden, ohne die Pumpe zu beschädigen. Die maximale Saughöhe beträgt 5 m bei leerem Schlauch bzw. bis zu 8 m bei vorgefülltem Schlauch.

GETAUCHT:

Alle Pumpen können in die Flüssigkeiten eingetaucht werden. Dabei ist es wichtig, vorab die chemische Kompatibilität aller medienberührenden Komponenten zu prüfen. Bei dieser Montageanordnung muss sowohl die Abluft als auch die Flüssigkeitsabgabe per Schlauchleitung durchgeführt werden (optionale Druckluftverbindung).



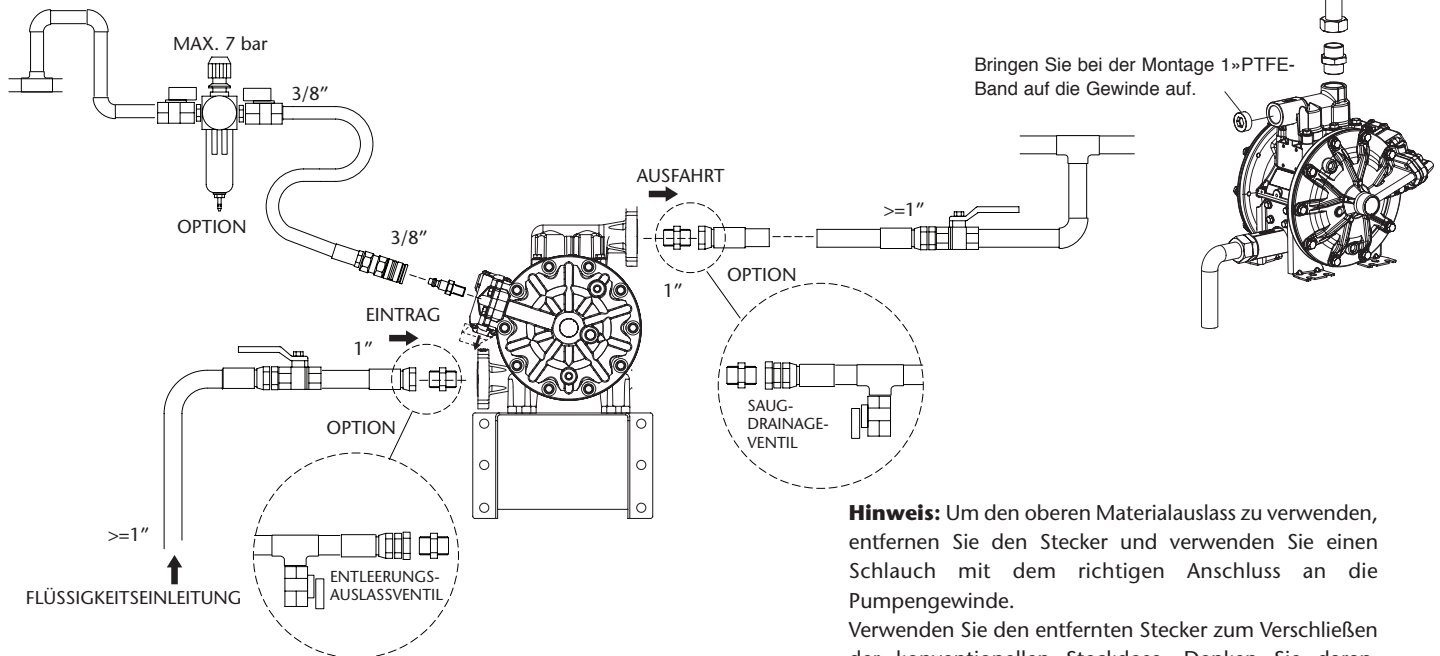
Hinweis: Benutzen Sie einen Druckregler mit eingebautem Filter.

Hinweis: Der Eingangsluftdruck muss zwischen 1,5 bar (20 psi) und 8 bar (120 psi) betragen.

EMPFOHLENER EINBAU

Die Zeichnung unten zeigt die empfohlene Konfiguration für die Installation einer Membranpumpe. Lesen Sie die Warnhinweise und Empfehlungen im Folgenden, bevor Sie beginnen.

METALLISCH



Hinweis: Um den oberen Materialauslass zu verwenden, entfernen Sie den Stecker und verwenden Sie einen Schlauch mit dem richtigen Anschluss an die Pumpengewinde.

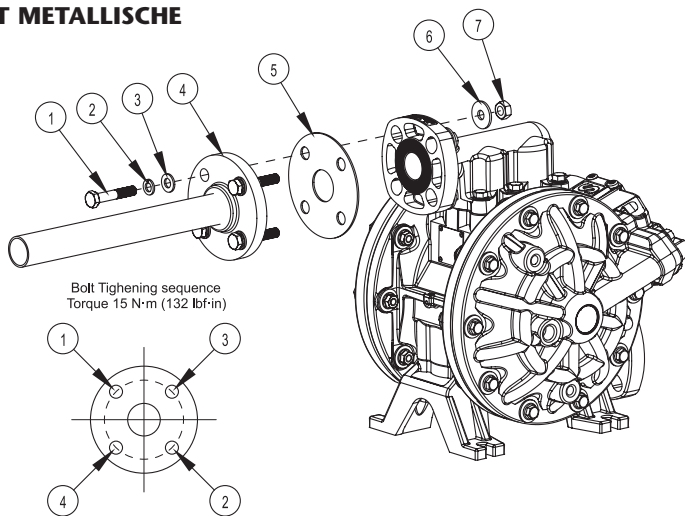
Verwenden Sie den entfernten Stecker zum Verschließen der konventionellen Steckdose. Denken Sie daran, Teflonband zu verwenden, um die Verbindung wasserdicht zu machen.

(*) Oberer Anschluss am Auslasskrümmer und unterer Anschluss am Einlasskrümmer zur Edelstahlpumpe: Nur auf Sonderbestellung erhältlich (Fragen Sie Samoa Industrial, S.A. oder Ihren örtlichen Händler).

MONTAGE

ABLUFTVORRICHTUNG

NICHT METALLISCHE

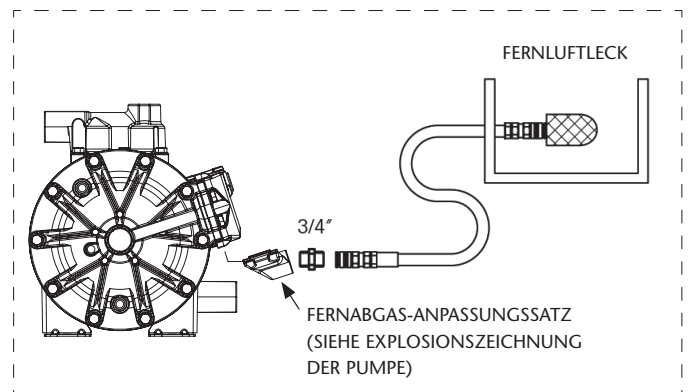


N°	BESCHREIBUNG	Menge.
1	Schrauben	4
2	Feder-Sicherungsscheibe	4
3	Unterlegscheiben	4
4	Standard-Rohrflansch	1
5	Verpacken	1
6	Unterlegscheiben	4
7	Nüsse	4

EXTERNE ABGASFÜHRUNG

⚠️ WARNUNG

- Das optionale Abfahrtskit mit Fahrer ist erforderlich.
- Entfernen Sie die 4 Schrauben und den Schalldämpfer, der mit der Pumpe geliefert wird (Pos. 1-10 und Pos. 1-12 im Ersatzteilabschnitt).
- Montieren Sie den Fern- oder Schalldämpferadapter, (Pos. 1-41). Denken Sie daran, die im Satz enthaltene Dichtung zu installieren (1-40). Schrauben Sie die 4 Schrauben (1-42) zurück.
- Schließen Sie diesen Schlauch an den Adapter an und installieren Sie einen Schalldämpfer auf der anderen Seite des Schlauchs. Verwenden Sie diesen Schlauch mit dem gleichen Schlauchdurchmesser und 3/4"-NPT-Anschlüssen.
- Ordnen Sie am Ende des Schlauchs eine Grube, einen Schutzkasten usw. an.



LUFTEINTRITTSANSCHLUSS

⚠️ WARNUNG

Um eine ausreichende Versorgung der Pumpe mit Druckluft sicherzustellen, muss der Schlauchdurchmesser dem des Druckluftanschlusses an der Pumpe entsprechen. Zusätzliche Luftbehandlungsvorrichtungen und -anschlüsse müssen entsprechend dem Luftverbrauch der Pumpe mit ausreichend starkem Luftstrom ausgestattet sein.

Darüberhinaus müssen Fernluftbehandlungsvorrichtungen so nah wie möglich an der Pumpe angebracht werden.

Der Gebrauch von Kupplungsanschlüssen für das Verbinden der Schläuche unterstützt das künftige Bedienen und Wartungsaufgaben.

GRUND	EMPFOHLENE MASSNAHME
DIE PUMPE ARBEITET NICHT.	
Das Ablassventil auf der Druckseite ist geschlossen.	Öffnen Sie das Ablassventil auf der Druckseite.
Keine Versorgung mit Druckluft.	Schalten Sie den Kompressor an und öffnen Sie das Luftventil und den Druckminderer.
Der Druck der Luftversorgung ist nicht ausreichend.	Überprüfen Sie den Kompressor und die Konfiguration der Luftleitung.
Druckluft tritt aus Anschlüssen aus.	Überprüfen Sie die Anschlüsse und ziehen Sie sie nach.
Die Druckluftrohrleitungen oder ergänzende Teile sind verstopft.	Überprüfen und reinigen Sie die Druckluftleitung.
Der Abluftanschluss (Dämpfer) der Pumpe ist verstopft.	Überprüfen und reinigen Sie den Abluftanschluss sowie den Abluftdämpfer.
Die Förderrohrleitung ist verstopft.	Überprüfen und reinigen Sie die Förderleitung.
Die Pumpe ist verstopft.	Entfernen, untersuchen und reinigen Sie den Pumpenkörper.

DIE PUMPE LÄUFT, FÖRDERT JEDOCH NICHT.	
Das Ventil auf der Saugseite ist geschlossen.	Öffnen Sie das Ventil auf der Saugseite.
Zu große Druck- oder Saughöhe.	Überprüfen Sie die Leitungskonfiguration und reduzieren Sie die Höhe der Druck- bzw. Saugleitungen.
Druckrohrleitung (inkl. Filter) ist verstopft.	Überprüfen und reinigen Sie die Druckleitung.
Die Pumpe ist verstopft.	Bauen Sie die Pumpe auseinander, überprüfen und reinigen Sie sie.
Die Kugel und der Kugelsitz sind verschlissen oder defekt.	Untersuchen Sie dies und ersetzen Sie die Teile.

DIE FÖRDERLEISTUNG NIMMT AB.	
Der Druck der Luftversorgung ist nicht ausreichend.	Überprüfen Sie den Kompressor und die Konfiguration der Luftleitung.
Die Druckluftrohrleitungen oder ergänzende Teile sind verstopft.	Überprüfen und reinigen Sie die Druckluftleitung.
Die Öffnung des Druckventils wird nicht korrekt ausgelöst.	Stellen Sie das Ventil druckseitig nach.
Luft und Fluid vermischen sich.	Füllen Sie Fluid nach und überprüfen Sie die Konfiguration der Saugrohrleitung.
Kavitation tritt auf.	Stellen Sie den Lufteingangs- und Luftausgangsdruck nach und reduzieren Sie die Ansaugung.
Vibrationen.	Stellen Sie den Lufteingangs- und Luftausgangsdruck nach. Reduzieren Sie den Strom am Einlassventil, um den Druck und das Fördervolumen des Fluids anzupassen.
Am Abluftanschluss bildet sich Eis.	Entfernen Sie das Eis vom Druckluftbypassventil; überprüfen und reinigen Sie den Luftfilter. Verwenden Sie eine Rohrleitung für die Abluft, so dass es im Dämpfer nicht zu Eisbildung kommt.
Die Fluidleitung (inkl. Filter) ist verstopft.	Überprüfen und reinigen Sie die Fluidleitung und den Filter.
Der Abluftanschluss (Dämpfer) der Pumpe ist verstopft.	Überprüfen und reinigen Sie den Abluftanschluss sowie den Abluftdämpfer.
Die Pumpe ist verstopft.	Entfernen, untersuchen und reinigen Sie den Pumpenkörper.

FLÜSSIGKEIT TRITT DURCH DAS HOHLE ABGASVENTIL AUS (SCHALLDÄMPFER).	
Die Membran ist defekt.	Entfernen und überprüfen Sie die Pumpe und ersetzen Sie die Membran.

UNREGELMÄSSIGE VIBRATIONEN.	
Membran defekt.	Ersetzen Sie die Membran.
Saugschlauch lose oder beschädigt.	Nachziehen oder ersetzen.

LUFT IM FÖRDERMEDIUM.	
Membran defekt.	Ersetzen Sie die Membran.
Saugschlauch lose oder beschädigt.	Nachziehen oder ersetzen.

DRUCKLUFT ZWISCHEN 3 UND 8 BAR TRITT AUS.	
Verschleiß des Wegeventils.	Ersetzen Sie die Wegeventilkomponenten.

PUMPE STARTET NICHT UND LUFT TRITT AUS OHNE HÜBE.	
Schwinggängige Luftsensoren.	Ersetzen Sie den Luftsensoren.
Verschleiß des Wegeventils.	Nachziehen oder ersetzen.

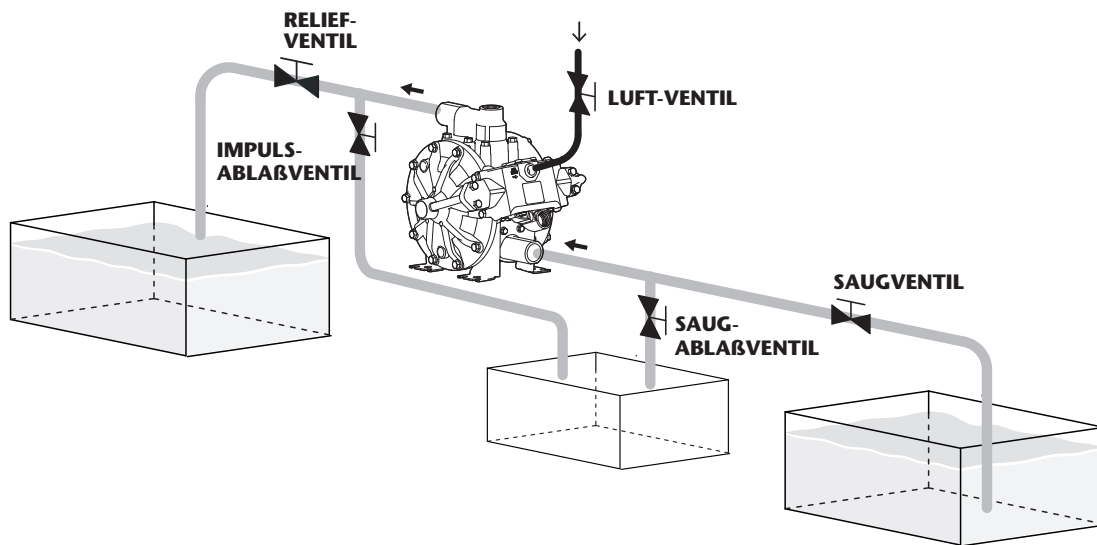
INBETRIEBNAHME

DIESE PUMPE IST SELBSTANSAUGEND.

Zum ersten Ansaugen ist es zweckmäßig, die Luft mit dem Druckregler bei niedrigem Druck an die Pumpe anzuschließen und dabei das Auslassventil offen zu halten. Wenn die Flüssigkeit austritt, ist die Pumpe angesaugt. Zur Regelung mittels Flüssigkeitsdruck muss er mit einem Luftdruck zwischen 1,5 und 8 bar (20 - 120 psi) versorgt werden. Stellen Sie das Druckventil auf der Druckseite ein. Die Beziehung zwischen Durchfluss, Luftzufuhrdruck und Auslassdruck finden Sie in der Leistungskurve.

ANHALTEN DER PUMPE FÜR WARTUNGSARBEITEN

- Schließen Sie das Einlassventil an der Saugseite der Pumpe und unterbrechen Sie die Luftzufuhr.
- Überprüfen Sie zu Ihrer Sicherheit, dass das Luftventil geschlossen ist.
- Schalten Sie den Druckluftkompressor ab oder schließen Sie das Luftzufuhrventil an der Hilfseinrichtung.
- Schließen Sie das Ausgangsventil auf der Druckseite der Pumpe; dann öffnen Sie vorsichtig das Ablassventil, um Flüssigkeit unter Druck abzulassen.
- Öffnen Sie das Luftventil an der Pumpe, schalten Sie die Pumpe ein und lassen Sie die restliche Flüssigkeit ab.
- Nachdem Sie sichergestellt haben, dass die Pumpe abgeschaltet und der Druck abgelassen wurde, öffnen und schließen Sie komplett den Druckschalter sowie das Ablassventil.



ERDEN DER PUMPE

- Stellen Sie sicher, die Pumpe bei der Installation an die Masse anzuschließen.
- Verbinden Sie auch das Rohrleitungssystem und die Hilfsvorrichtungen mit Erdungskabeln.
- Benutzen Sie ein Erdungskabel mit mindestens Kabelstärke 12 (2 mm²).
- Ist die Pumpe, die Sie erworben haben, ATEX-geprüft, liegt dieser eine weitere spezielle ATEX-Bedienungsanleitung bei. Lesen Sie diese, bevor Sie die Pumpe in Betrieb nehmen.
- Wenn die Pumpeneinheit mit dem Symbol Ex markiert ist, kann sie in explosionsgefährdeten Bereichen eingesetzt werden. Auf dem Typenschild befinden sich unter diesem Symbol eine Aufzählung der Einsatzbereiche, für die die Pumpe zugelassen ist, sowie die maximal zulässige Oberflächentemperatur.

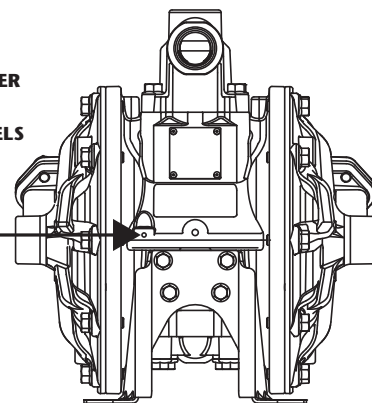


WARNUNG:

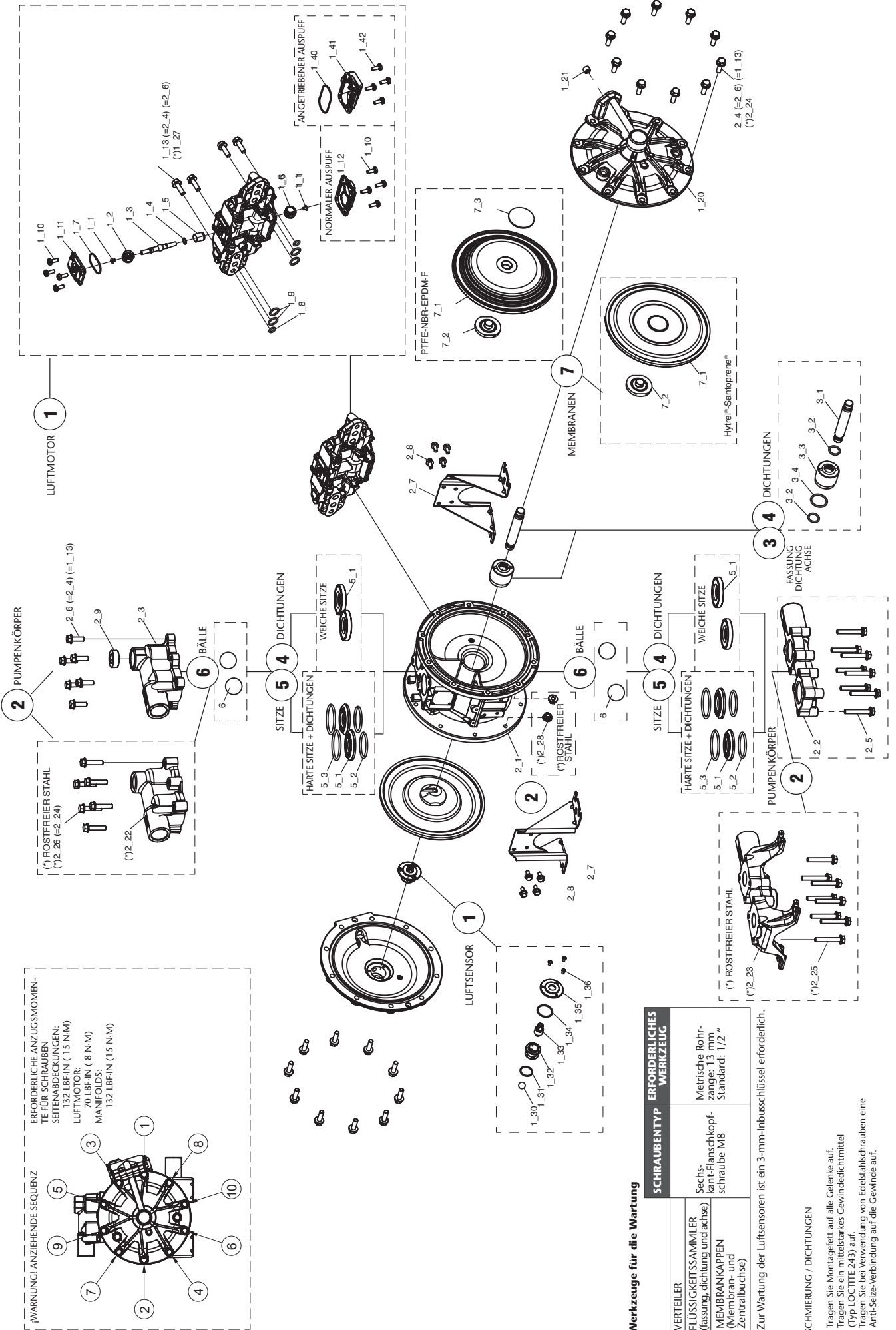
Bringen Sie das Erdungskabel nicht nur an der Pumpe an, sondern auch an der Rohrleitung und allen anderen Bestandteilen des Systems.

Wenn die Pumpe ungeerdet bzw. falsch geerdet betrieben wird, kann die Reibung zwischen Komponenten und der Abrieb, der bei manchen geförderten Fluiden entsteht, statische Elektrizität erzeugen. Je nach Art der Flüssigkeit, die gefördert wird, bzw. der Montageumgebung (wie z.B. in der Luft befindliche Gase oder die umliegenden Einrichtungen) kann statische Elektrizität Feuer entfachen oder einen Stromschlag verursachen.

AUFKLEBER, DER DIE LAGE DES ERDUNGSKABELS ANZEIGT

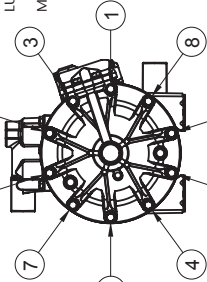


METALLPUMPE, ERSATZTEILE ZEICHNUNG



ERFORDERLICHE ANZUGSMOMENTE FÜR SCHRAUBEN SEITENABDECKUNGEN:
 132 LBF-IN (15 N·M)
 LUFTMOTOR:
 70 LBF-IN (8 N·M)
 MANIFOLDS:
 132 LBF-IN (15 N·M)

!WARNUNG! ANZIEHENDE SEQUENZ



Werkzeuge für die Wartung

VERTEILER	SCHRAUBENTYP	ERFORDERLICHES WERKZEUG
FLÜSSIGKEITSSAMMLER (fassung, dichtung und achse)	Sechskant-Flanschschraube M8	Metrische Rohrzange: 13 mm Standard: 1/2"
MEMBRANKAPPEN (Membran- und Zentralbuchse)		

*Zur Wartung der Luftsensoren ist ein 3-mm-Inbusschlüssel erforderlich.

SCHMIERUNG / DICHTUNGEN

- Tragen Sie Montagefett auf alle Gelenke auf
- Tragen Sie ein mittelstarkes Gewindedichtmittel (Typ LOCITE 243) auf
- Tragen Sie bei Verwendung von Edelstahlschrauben eine Anti-Seize-Verbindung auf die Gewinde auf.

METALLPUMPE

DP200	X	X	X	X	X	X	X	X	X	X
	1	2	3	4	5	6	7	8	9	
LUFTVENTIL A Aluminium	ZENTRALER TEIL A Aluminium S Rostfreier Stahl	DRUCKSTANGE S Rostfreier Stahl	DICHTUNGEN N NBR V FKM E EPDM T PTFE	SITZE S Rostfreier Stahl A Aluminium P Polypropylen N NBR M Santoprene® H Hytrel®	BÄLLE T PTFE C POM S Rostfreier Stahl N NBR	MEMBRANEN H Hytrel® T PTFE M Santoprene® N NBR	ANSCHLÜSSE B BSP N NPT	OPTIONEN A Standardpumpe B Fernauspuff-Kit enthalten C Membranleckdetektor / D Zyklusensor E Extern gesteuert mit Magnetventil (nicht im Lieferumfang enthalten) F Nasenschalldämpfer enthalten G Extern gesteuert mit Magnetventil (nicht im Lieferumfang enthalten) und induktive End-of-Stroke Sensoren ATEX-Namur (im Lieferumfang enthalten) I Extern gesteuert mit Magnetventil (nicht im Lieferumfang enthalten) und induktive End-of-Stroke Sensoren ATEX-Namur (im Lieferumfang enthalten) U Pumpe geeignet für UV-Flüssigkeiten		

1		LUFTVENTIL	
	LUFTVENTIL	LUFTLECK	
A	POS 1_1 a 1_13 558525	POS 1_30 a 1_36 558527	POS 1_40 a 1_42 558562

2			ZENTRALE KÖRPER- UND FLÜSSIGKEITSVERTEILER		
	ZENTRALKÖRPER	EINLASSKRÜMMER	AUSLASSKRÜMMER		
	POS 2_1	POS 2_2	POS 2_3		
A	755123.001	BSP THREADS 755126.001	NPT THREADS 755125.001	NPT THREADS 755125.301	
S	855052	855054	855053	855053.300	

3		ACHSEN-REPARATURSATZ	
	ACHSE	DICHTUNG	CODE KIT
S	V		NUMMERCODIERUNG 55XXXX
S	E		-
S	T		-
S	N		555010/555030

5		VENTILSITZ-REPARATURSATZ	
	SITZE	DICHTUNG	CODE KIT
A	N		NUMMERCODIERUNG 55XXXX
A	V		-
A	E		-
A	T		-
S	T		558551
N	-		558535
H	-		558552
M	-		558553

6		VENTILKUGEL-REPARATURSATZ	
	CODE KIT	NUMMERCODIERUNG 55XXXX	
T	558529	-	
C	558528	555010/555030	
S	558530	-	
N	558531	-	

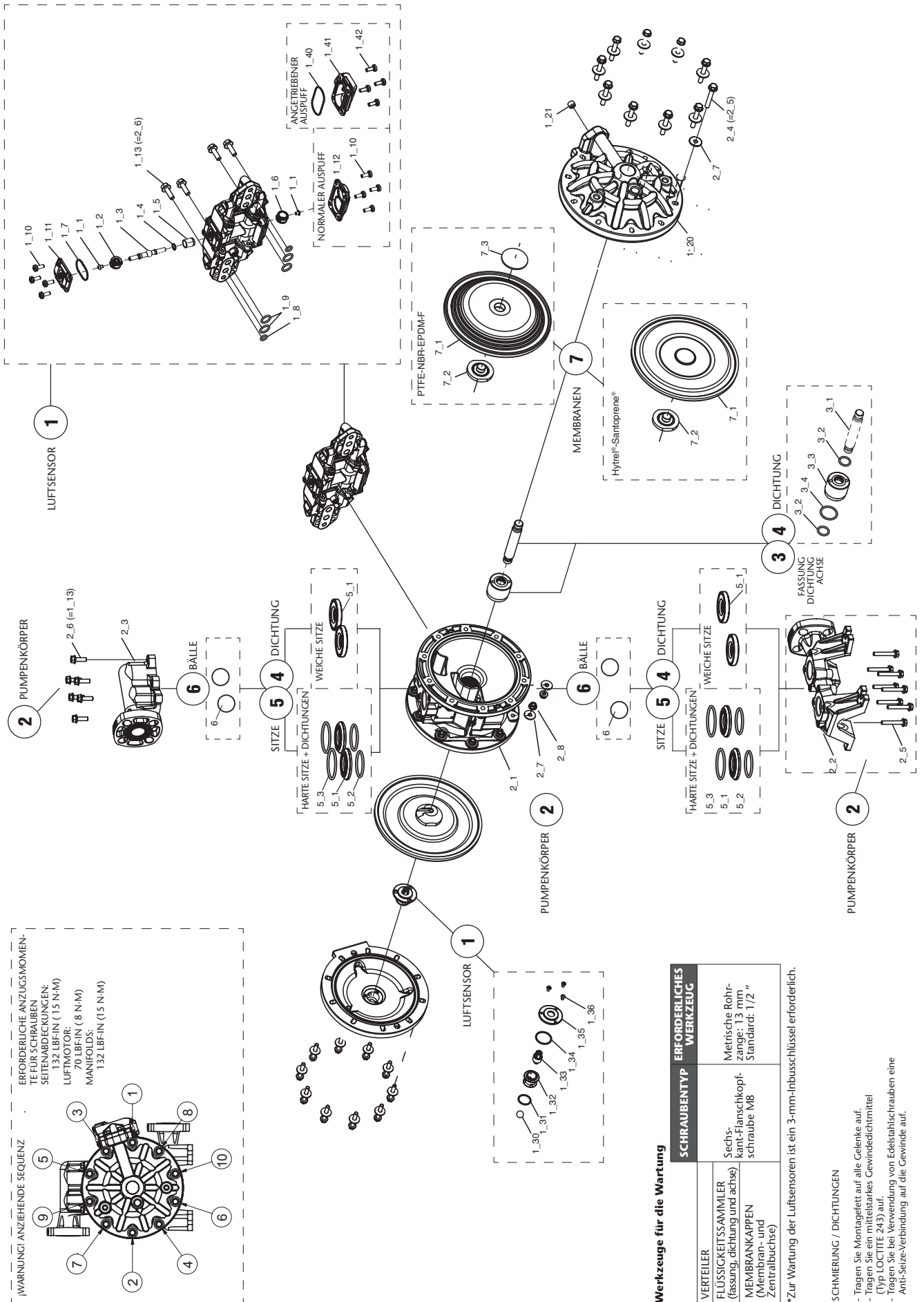
7		MEMBRANEN	
	CODE KIT	NUMMERCODIERUNG 55XXXX	
H	558521	555010	
M	558523	-	
N	558561	555030	
T	558522	-	

TECHNISCHE EIGENSCHAFTEN ETIKETT



MODELL:
 55XXXX (numerische Codierung)
 DP200XXXXXXXXXX (alphanumerische Codierung)

NICHTMETALLISCHE PUMPE, ERSATZTEILE ZEICHNUNG



WARNUNG ANZEIGENDE SEQUENZ

ERFORDERLICHE ANZUGSMOMENTE FÜR SCHRAUBEN SEITENABDECKUNGEN:
 132 LBF·IN (15 N·M)
LUFTMOTOR:
 70 LBF·IN (8 N·M)
MANIFOLDS:
 132 LBF·IN (15 N·M)

Werkzeuge für die Wartung

VERTEILER	SCHRAUBENTYP	ERFORDERLICHES WERKZEUG
FLÜSSIGKEITSSAMMLER (fassung, dichtung und achse)	Sechskant-Flanschkopfschraube M8 (Membran- und Zentralbuchse)	Metrische Rohrzange: 13 mm Standard: 1/2"

*Zur Wartung der Luftsensoren ist ein 3-mm-Inbusschlüssel erforderlich.

SCHMIERUNG / DICHTUNGEN

- Tragen Sie Montagefett auf alle Gelenke auf.
- Tragen Sie ein mittelstarkes Gewindedichtmittel (Typ LOCTITE 243) auf.
- Tragen Sie bei Verwendung von Edelstahlsschrauben eine Anti-Seize-Verbindung auf die Gewinde auf.

NICHTMETALLISCHE PUMPE

DP200	X	X	X	X	X	X	X	X	X	X
	1	2	3	4	5	6	7	8	9	
LUFTVENTIL P Polypropylen	ZENTRALER TEIL P Polypropylen B Leitfähiges PP C POM W PVDF	DRUCKSTANGE S Rostfreier Stahl Y Hastelloy® C	DICHTUNGEN N NBR V FKM E EPDM T PTFE	SITZE P Polypropylen N NBR M Santoprene® H Hytre®	BÄLLE T PTFE C POM S Rostfreier Stahl N NBR	MEMBRANEN H Hytre® T PTFE M Santoprene® N NBR	ANSCHLÜSSE F Flansch	OPTIONEN A Standardpumpe B Fernausstuf-Kit enthalten C Membranleckdetektor / D Zyklusensor E Extern gesteuert mit Magnetventil (nicht im Lieferumfang enthalten) F Nasenschalldämpfer enthalten G Extern gesteuert mit Magnetventil (nicht im Lieferumfang enthalten) und induktive End-of-Stroke Sensoren NPN (im Lieferumfang enthalten) I Extern gesteuert mit Magnetventil (nicht im Lieferumfang enthalten) und induktive End-of-Stroke Sensoren ATEX-Namur (im Lieferumfang enthalten) U Pumpe geeignet für UV-Flüssigkeiten		

1	LUFTVENTIL		LUFTLECK
	LUFTVENTIL	POS 1_1 a 1_13	POS 1_40 a 1_42
P	588525	588527	588562

2	ZENTRALE KÖRPER- UND FLÜSSIGKEITSVERTEILER		AUSLASSKRÜMMER
	ZENTRALKÖRPER	POS 2_1	POS 2_3
		BRIDA DIN/ANSI	BRIDA DIN/ANSI
P	755552	896642	755560
B	755553	896643	894637
W	755556	896646	755561

3	ACHSEN-REPARATURSATZ		NUMMERCODIERUNG 55XXXX
	ACHSE	CODE KIT	NO ATEX PUMP
S	ATEX PUMP	588556	588555
S		588557	588558
S		588566	588560
Y		588559	-

5	VENTILSITZ-REPARATURSATZ		NUMMERCODIERUNG 55XXXX
	SITZE	CODE KIT	588544
P	V	588545	588545
P	E	588546	-
C	V	588536	-
C	E	588537	-
C	T	588538	-
W	T	588548	-
H	-	588552	-
M	-	588553	-

6	VENTILKUGEL-REPARATURSATZ		NUMMERCODIERUNG 55XXXX
	CODE KIT	588529	588528
T		588528	-
C		588530	-
S		588531	-
N		-	-

7	MEMBRANEN		NUMMERCODIERUNG 55XXXX
	CODE KIT	588521	588523
H		588523	-
M		588561	-
N		(1) 588522	-
T		(2) 588567	-

(1) Pumpe mit rostfreier Welle.
(2) Pumpe mit Hastelloy® C-Welle.

TECHNISCHE EIGENSCHAFTEN ETIKETT



MODELL: 55XXXX (numerische Codierung)
 DP200XXXXXXXXXXXX (alphanumerische Codierung)

DREHMOMENTE ZUR SICHERSTELLUNG DES ORDNUNGSGEMÄSSEN PUMPENBETRIEBS

Zur Sicherstellung eines ordnungsgemäßen Betriebs der Pumpe und zur Vorbeugung von Unfällen, die die Pumpe beschädigen oder schlimmstenfalls Menschen verletzen könnten, müssen Sie regelmäßig die Drehmomente der Membranabdeckungen und des Wegeventils nachziehen. In der folgenden Tabelle finden Sie die jeweils richtigen Drehmomente:

DREHMOMENTE DP200	Seitenabdeckungen	15 N·m (132 lbf·in)
	Luftmotor	8 N·m (70 lbf·in)
	Pumpenverteiler	15 N·m (132 lbf·in)

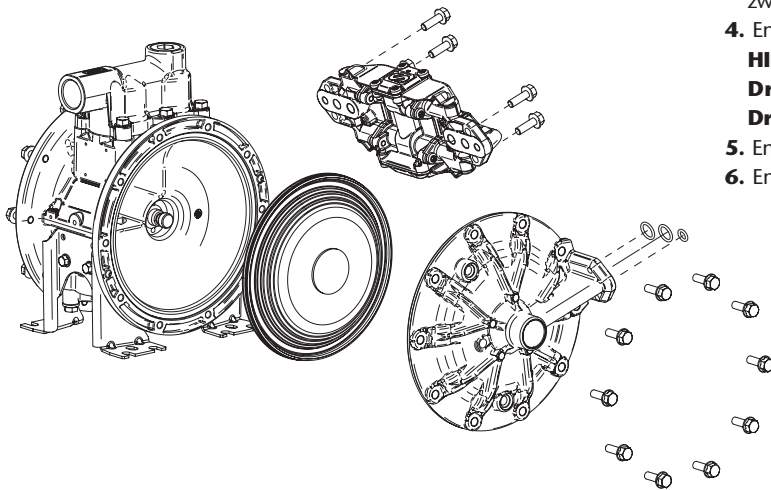
⚠ VORSICHT!: BEFESTIGUNGSELEMENTE NICHT ZU FEST ANZIEHEN.

AUSTAUSCH DER MEMBRANEN

Vor jedem Eingriff an der Bombe:

TRENNEN SIE DIE PUMPE VON DER DRUCKLUFTZUFUHR, BEVOR SIE BEGINNEN.

ES IST NICHT NOTWENDIG, DIE PUMPE VON DEN FLÜSSIGKEITSLAUFLEITUNGEN ZU NEHMEN.

**Vor jedem Eingriff an der Bombe:**

1. Schließen Sie die Saug- und Druckventile.
2. Die verbleibende Flüssigkeit in der Pumpe ablassen.
3. Entfernen Sie das Wegeventil und achten Sie dabei darauf, die Dichtungen zwischen Ventil und Pumpe nicht zu beschädigen oder zu verlieren.
4. Entfernen Sie die Schrauben der Membrankappe.

HINWEIS: Zum Anziehen dieser Schrauben muss ein kalibrierter Drehmomentschlüssel verwendet werden (siehe Drehmomenttabelle auf dieser Seite).
5. Entfernen Sie die Membrankappe, indem Sie sie vorsichtig zurückziehen.
6. Entfernen Sie die Membranen.

HINWEIS: Tachten Sie auf die Dichtungen zwischen dem Wegeventil und der Pumpe. Sie können bei der Wartung beschädigt werden oder verloren gehen.

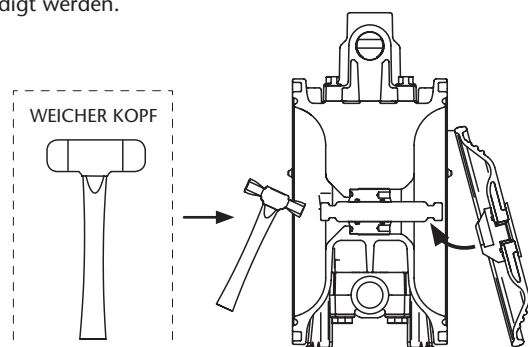
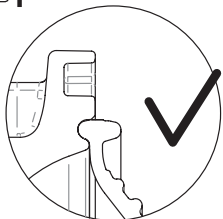
VERFAHREN FÜR DEN EINBAU NEUER MEMBRANEN

⚠ ACHTUNG: Gehen Sie wie nachstehend beschrieben vor, um sicherzustellen, dass die Blende richtig positioniert ist. Wenn dieses Verfahren nicht befolgt wird, kann die Außenseite der Membran in ihr Gehäuse extrudiert werden, was zu dauerhaften Schäden oder einer erheblich reduzierten Lebensdauer führen kann. Beachten Sie diese Empfehlung, wenn Sie nach dem Einbau der Membrane eine Leckage feststellen.

1. POSITIONIERUNG DER ZENTRALWELLE FÜR DEN KORREKTEN EINBAU DER MEMBRANE

Bewegen Sie den zentralen Schaft mit einem Schonhammer so weit aus dem Hohlraum heraus, dass Sie die Membran platzieren können, ohne sie zu deformieren.

Vermeiden Sie es, die Membrane zu montieren, ohne die Welle in die beschriebene Position zu bringen, die Außenseite der Membrane kann beschädigt werden.

**⚠ ACHTUNG!**

1. Korrekte Montage der Membran vor dem Aufsetzen des Deckels.

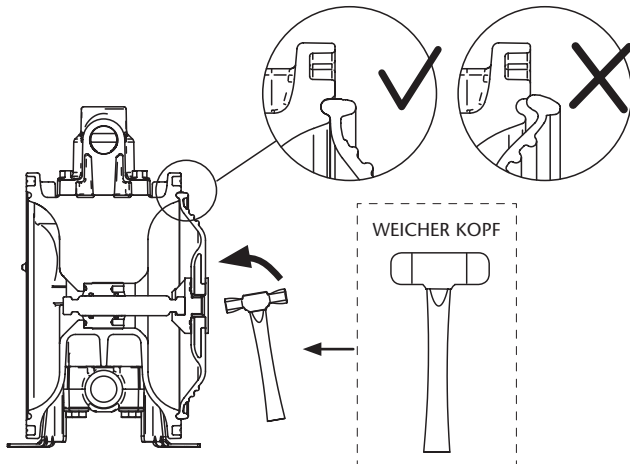


2. Falsche Membran-Baugruppe. Beim Auflegen der Abdeckung können bleibende Schäden entstehen.

2. AUSRICHTEN DER ERSTEN BLENDE

Richten Sie die Membrane mit einem weichen Hammer aus, bis die Außenseite der Membrane ohne Verformung am Gehäuse anliegt.

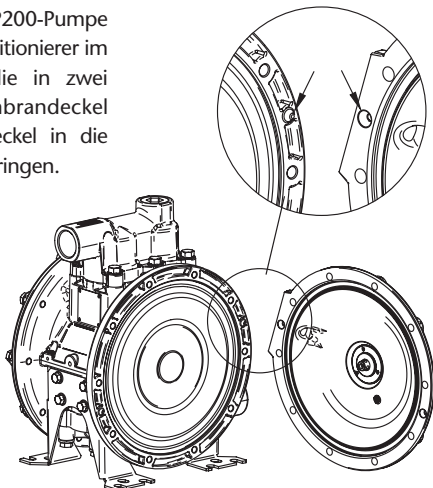
Der äußere Bereich der Membrane berührt sein Gehäuse im Zentralkörper ohne Verformung.



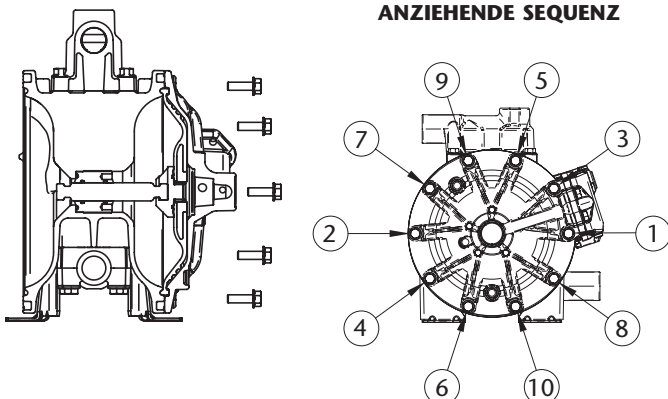
3. MONTAGE DES MEMBRANKOPFES

Setzen Sie den Membrandeckel auf und ziehen Sie ihn mit den Schrauben schrittweise am Gehäuse fest (Anzugsreihenfolge beachten). Sobald die Kappe angezogen ist, verwenden Sie ein Drehmoment von 152 lbf-in (15 N-m)..

⚠ ACHTUNG! Die DP200-Pumpe verfügt über zwei Positionierer im zentralen Körper, die in zwei Löcher im Membrandeckel passen, um den Deckel in die richtige Position zu bringen.

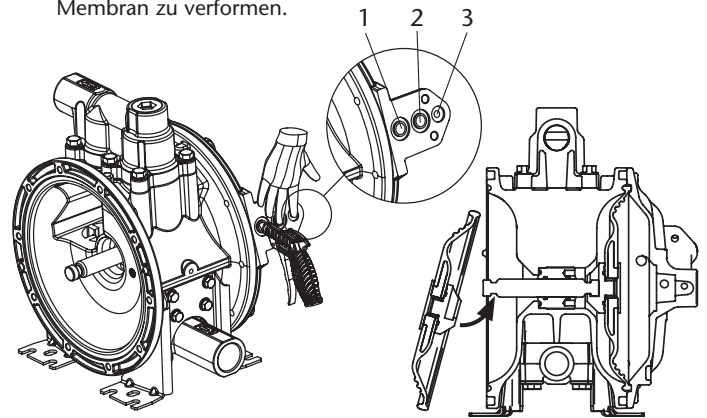


ANZIEHENDE SEQUENZ



4. POSITIONIERUNG DER ZENTRALEN WELLE FÜR DEN EINBAU DER ZWEITEN MEMBRANE

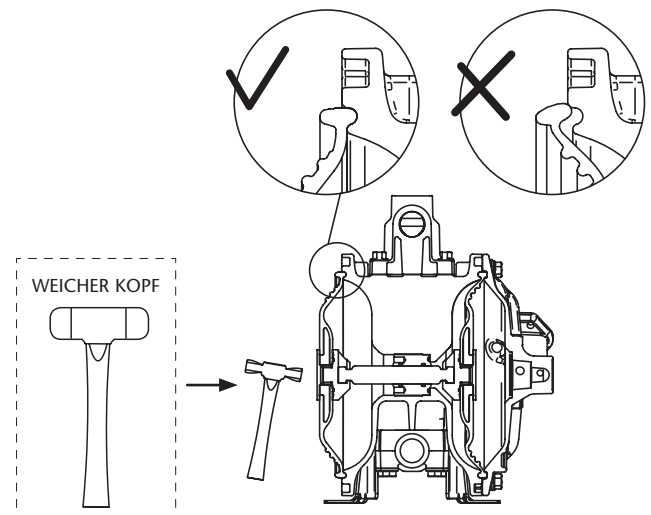
Verwenden Sie eine Druckluftpistole mit einem Druck von maximal 1 bar (15 psi), um Luft in die zuvor installierte Membrankammer zu injizieren. Führen Sie die Luft durch die Bohrung Nr. 1 ein, während Sie die Bohrungen Nr. 2 und Nr. 3 in der Membrankammer auf irgendeine Weise verschließen. Die Druckluft drückt die Mittelwelle nach außen, so dass die Membran installiert werden kann, ohne die Membran zu verformen.



Wenn die Druckluft in das Loch Nr. 1 eintritt, während Nr. 2 und Nr. 3 geschlossen sind, wird die Membran verschoben, wodurch sich die Mittelachse verschiebt und die Installation der Membran ermöglicht wird.

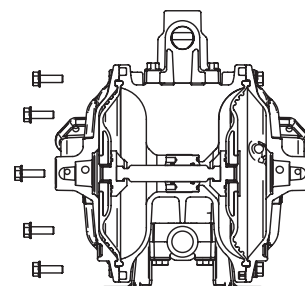
5. AUSRICHTEN DER ZWEITEN MEMBRANE

Setzen Sie die zweite Membrane ein und treiben Sie die Membrane wiederum mit einem Schonhammer ein, bis die äußere Dichtfläche das Gehäuse ohne Verformung berührt.



6. INSTALLATION DER ZWEITEN MEMBRANKAPPE

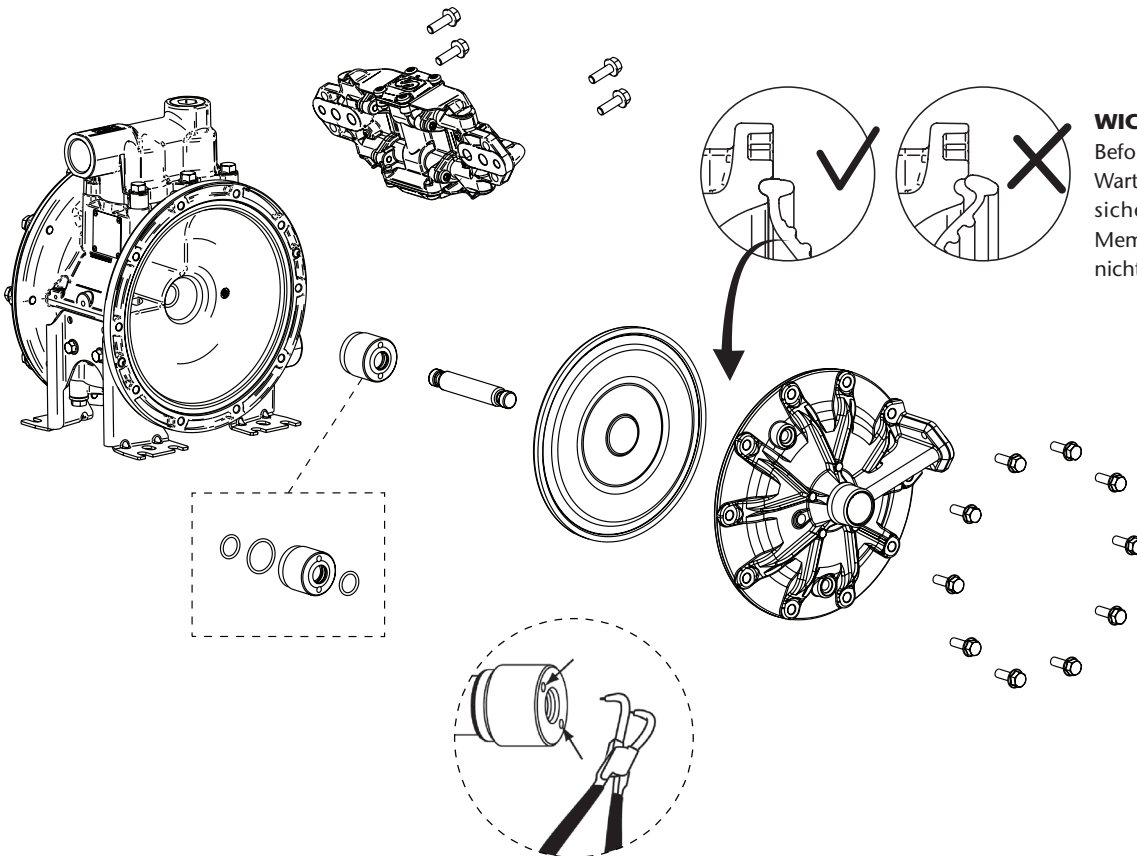
Gehen Sie bei der Installation der ersten Membrane genauso vor wie in Punkt 3 beschrieben.



MONTAGEVERFAHREN

HINWEIS: Die Mittelachse befindet sich zwischen den Membranen.

1. Entfernen Sie die Seitenabdeckung auf der rechten Seite (mit Blick auf die Pumpe vor dem Typenschild) gemäß dem im Abschnitt Membranwartung beschriebenen Verfahren.
2. Ziehen Sie die Welle aus ihrem Gehäuse, indem Sie an einem Ende ziehen, ohne den mittleren Bereich zu zerkratzen. Die Teflon®-Buchse, in der die Dichtungen untergebracht sind, wird in den Zentralkörper eingeschraubt. Verwenden Sie zum Entfernen eine Sprengringzange in den beiden in der Abbildung angegebenen Löchern.
3. Nachdem die Buchse entfernt wurde, entfernen Sie den O-Ring zwischen dem Körper und der Buchse.
4. Ersetzen Sie die Komponenten durch die im Austauschsatz enthaltenen. Beachten Sie die im Bild gezeigte Reihenfolge. Die Dichtung, die zwischen dem Gehäuse und der Buchse angebracht ist, kann während der Installation herausfallen, tragen Sie Montagefett auf, um die Dichtung während des Einschraubens an der Buchse zu befestigen.

**WICHTIG:**

Befolgen Sie das Verfahren zur Wartung der Membranen, um sicherzustellen, dass die Membranen bei der Montage nicht beschädigt werden..

REPARATUR - UND WARTUNGSHINWEISE

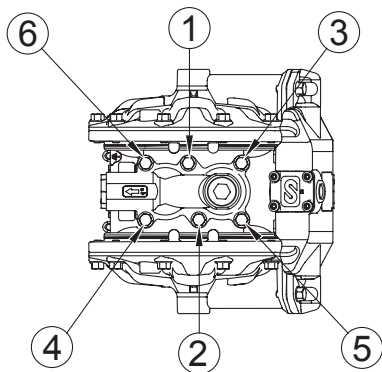
RÜCKSCHLAGVENTILE ERSETZEN

1. Schließen Sie die Saug- und Druckventile.
2. Die verbleibende Flüssigkeit in der Pumpe ablassen. Achten Sie in jedem Fall auf eine mögliche Verschüttung von Restflüssigkeit aus der Pumpe.
3. Die Ventile sind in den Saug- und Druckverteilern der Flüssigkeit untergebracht. Beachten Sie die Ausrichtung der Verteiler für den späteren Zusammenbau.
4. Installieren Sie einen neuen Satz Ventile oder Sitze in der in der Abbildung gezeigten Reihenfolge. Nähern Sie sich mit den Schrauben an die Sammelleitungen und führen Sie ein abschließendes Anziehen mit einem maximalen Drehmoment von 15 N·m (132 ft.lbs) durch.
WICHTIG: Bringen Sie den Verteiler vor dem endgültigen Festziehen mit den Schrauben nach und nach näher heran.
5. Montieren Sie den Luftmotor, wobei Sie darauf achten, die O-Ringe nicht zu beschädigen, und ziehen Sie die Schrauben mit einem maximalen Drehmoment von 8 N·m (70 lbf-in) an.

! WARNUNG!

Der obere Verteiler von DP200-Pumpen mit Teflon (PTFE)-Dichtungen muss in der in der Abbildung gezeigten Reihenfolge festgezogen werden.

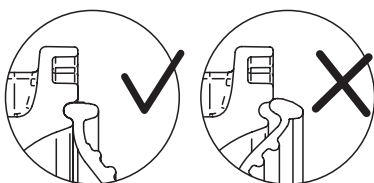
Gehen Sie immer zuerst mit den Schrauben (1) und (2) vor, um eine Beschädigung des Verteilers oder der Dichtungen zu vermeiden.



WARTUNG DER LUFTSENSOREN

Die Luftsensoren sind in den Seitenabdeckungen montiert. Um Zugang zu ihnen zu erhalten, befolgen Sie das im Abschnitt über die Wartung der Membranen beschriebene Verfahren zu ihrer Entfernung, nachdem die Seitenabdeckungen entfernt wurden, befolgen Sie die nachfolgend beschriebenen Schritte:

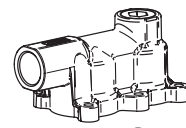
1. Entfernen Sie die beiden Schrauben, mit denen die Sensorabdeckung befestigt ist.
2. Entfernen Sie alle Komponenten und reinigen Sie den Bereich.
3. Fügen Sie die neuen Komponenten in der in der Abbildung gezeigten Reihenfolge hinzu.
4. Ersetzen Sie alle Komponenten in umgekehrter Reihenfolge. Setzen Sie die Sensorabdeckung auf und ziehen Sie die Schrauben fest.



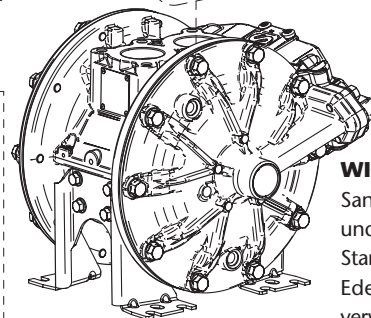
WICHTIG:

Befolgen Sie das Verfahren zur Wartung der Membranen, um sicherzustellen, dass die Membranen bei der Montage nicht beschädigt werden.

Abtriebsverteilerschrauben
25 mm (1")
15 N·m (132 lbf-in)



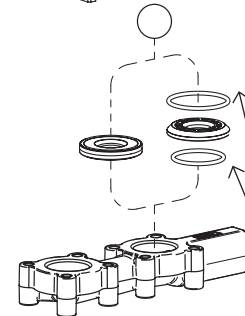
Starre Sitze
Weichen Sitze



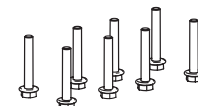
Dieses Gesicht immer nach unten

WICHTIG: Weichen Sitze (NBR, Hytrel, Santoprene) benötigen keine Dichtungen und sind symmetrisch.

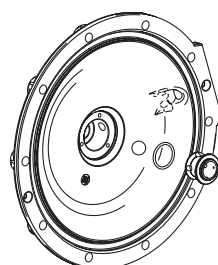
Starre Sitze (PP, POM, PVDF, Aluminium, Edelstahl), zusätzliche Dichtungen verwenden. Der Sitz hat eine Position, (siehe Bild), stellen Sie sicher, dass die Position der Dichtungen und des Sitzes wie gezeigt ist. Die Dichtung mit dem kleineren Durchmesser wird unter dem Sitz platziert und die Dichtung mit dem größeren Durchmesser wird auf dem Sitz platziert. Die Bälle müssen immer über den Sitzen platziert werden.



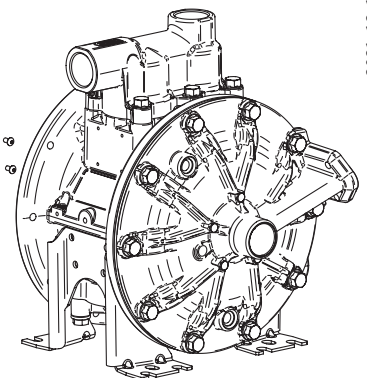
WICHTIG: Wenn Wartungsarbeiten an der Pumpe durchgeführt werden, die die Demontage der Verteiler umfassen, und die Pumpe mit PTFE-Dichtungen (weiß) konfiguriert ist, müssen diese durch neue ersetzt werden, um ein Austreten von Flüssigkeit zu vermeiden.



Die Schrauben des Einlasskrümmers
50 mm (1.96")
15 N·m (132 lbf-in)



SENSOR-KIT 558527



2021_12_15-12:00

CODIFICAÇÃO / КОДИРОВКА

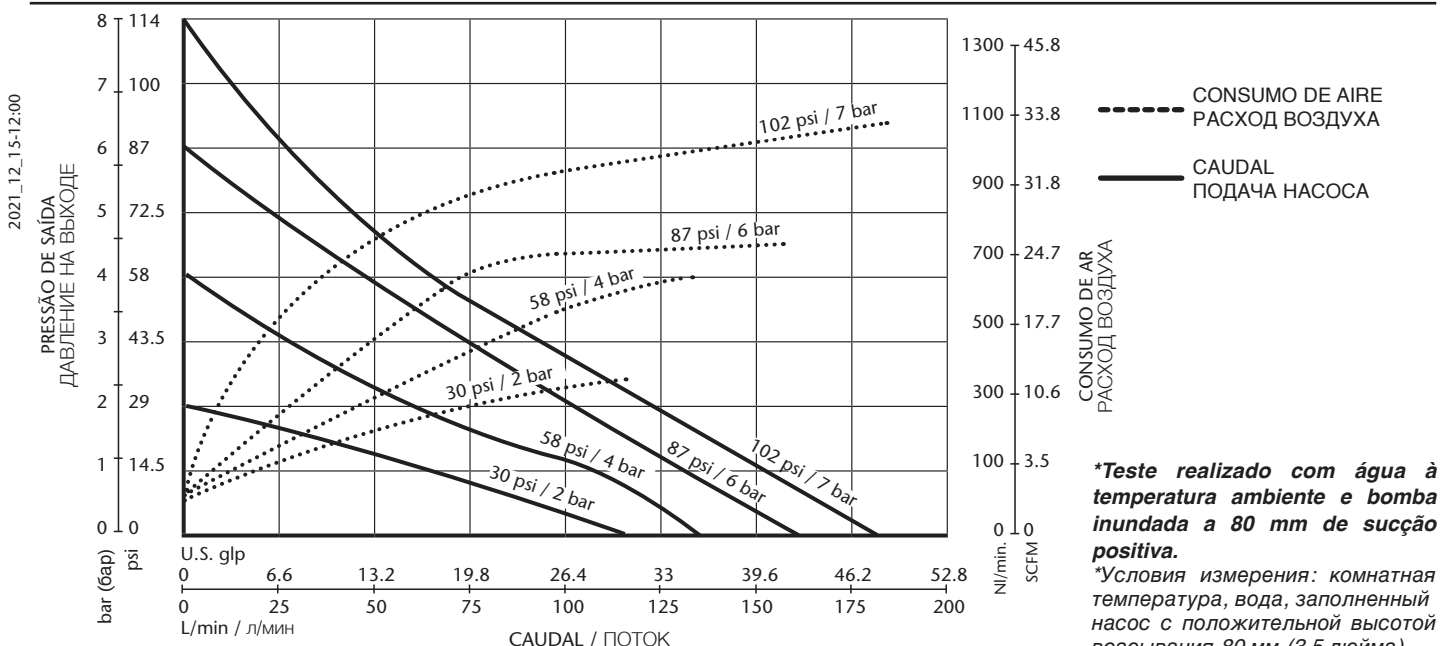
DP200	X	X	X	X	X	X	X	X	X
PT	DISTRIBUIDOR DE AR / ВОЗДУШНЫЙ КЛАПАН	PARTE CENTRAL / КОРПУС НАСОСА	EIXO / ВАЛ	SELOS / УПЛОТНЕНИЯ	ASSENTOS / СЕДЛА	BOLAS / ШАРИКИ	DIAFRAGMAS / МЕМБРАНЫ	LIGAÇÕES / СОЕДИНЕНИЯ	OPÇÕES / ОПЦИИ
RU	A Alumínio / Алюминий P Polipropileno / Полипропилен	A Alumínio / Алюминий S Aço inoxidável / Нержавеющая сталь P Polipropileno / Полипропилен B PP Condutor / Проводящий ПП C POM / POM W PVDF / ПВДФ	S Aço inoxidável / Нержавеющая сталь Y Hastelloy® C	N NBR / (Бутадиен-нитрильный каучук) V FKM / (Фторкаучук) E EPDM / ЭПДМ T PTFE / ПТФЭ	S Aço inoxidável / Нержавеющая сталь A Alumínio / Алюминий P Polypropylen / Полипропилен C POM / POM W PVDF / ПВДФ N NBR M Santoprene® H Hytrel®	T PTFE C POM S Aço inoxidável / Нержавеющая сталь N NB	H Hytrel® T PTFE M Santoprene® N NBR	B BSP N NPT F Flange / Фланец	A Bomba padrão / Стандартный насос B Kit de saída de ar rosçado incluído / комплект для удаленного выхлопа C Detector de ruptura de diafragma / Детектор утечки через мембрану D Sensor de ciclos / Датчик циклов E Controle externo com válvula solenóide (não incluída) / внешним управлением посредством электромагнитного клапана (не входит в комплект) F Silencioso de nariz incluído / комплекте с шумоглушителем G Controle externo com válvula solenóide (não incluída) e sensor de interruptor de limite NPN indutivo (incluído) / внешним управлением посредством электромагнитного клапана (не входит в комплект) и индуктивными датчиками приближения с NPN-выходом (входят в комплект) I Controle externo com válvula solenóide (não incluída) e sensor de fim de curso indutivo ATEX -NAmur- (incluído) / внешним управлением посредством электромагнитного клапана (не входит в комплект) и индуктивными датчиками приближения по стандарту ATEX-NAmur (входят в комплект) U Bomba para fluidos UV / Насос, пригодный для сверхвязких жидкостей

DADOS TÉCNICOS / ТЕХНИЧЕСКИЕ ДАННЫЕ

		DP200
RAZÃO	КОЭФИЦИЕНТ СЖАТИЯ	1:1
SAÍDA DE FLUXO MÁXIMO LIVRE	МАКСИМАЛЬНАЯ ПРОИЗВОДИТЕЛЬНОСТЬ СВОБОДНОГО ПОТОКА	53 Us gal/min (200 l/min) / 53 галлона (США) / мин (200 л/мин)
DESLOCAÇÃO POR EMBOLADA	ПРОИЗВОДИТЕЛЬНОСТЬ ЗА ХОД	17 oz (0.5 l) / 17 унций (0,5 л)
GAMA DE PRESSÃO	ДИАПАЗОН РАБОЧЕГО ДАВЛЕНИЯ ВОЗДУХА	20 - 120 psi (1,5 - 8 bar) / 20 ... 120 фунт/кв. дюйм (1,5 ... 8 бар)
MÁX. TAMANHO DE PARTÍCULA SUSPensa	МАКСИМАЛЬНЫЙ РАЗМЕР ТВЕРДЫХ ЧАСТИЦ ВСУСПЕНЗИИ	1/4" (6 mm) / 1/4 дюйма (6 мм)
ALTURA MÁXIMA DE SUCCÃO	МАКСИМАЛЬНАЯ ВЫСОТА ВСАСЫВАНИЯ	16.5 ft / фт (5 m) seco / сухое, 26.2 ft (8 m) húmido / мокрое
PESO	ВЕС	44.09 lb / фнт (20 kg / кг) Aço inoxidável / нержавеющей сталь 24.25 lb / фнт (11 kg / кг) Alumínio / Алюминий 23.1 lb / фнт (10,5 kg / кг) Plástico / пластмасса
CONEXÕES DE ENTRADA / SAÍDA DE FLUIDO	СОЕДИНЕНИЯ НА ВПУСКЕ / ВЫПУСКЕ ЖИДКОСТИ	1" BSP (F) o NPT (F) Bombas de alumínio e aço inoxidável / 1" BSP (F) или NPT (F), насосы из алюминия и нержавеющей стали Flansch DIN DN25 oder ANSI 1" B16.5 150 lbs ФЛАНЕЦ DIN DN25 или ANSI 1" B16.5, класс давления 150 фунтов
ENTRADA DE AR	СОЕДИНЕНИЕ НА ВПУСКЕ ВОЗДУХА	3/8" NPSM (F)
FAIXA TEMPERATURA TRABALHO	ДИАПАЗОН ТЕМПЕРАТУРЫ	32 -158 °F (0 - 70 °C)

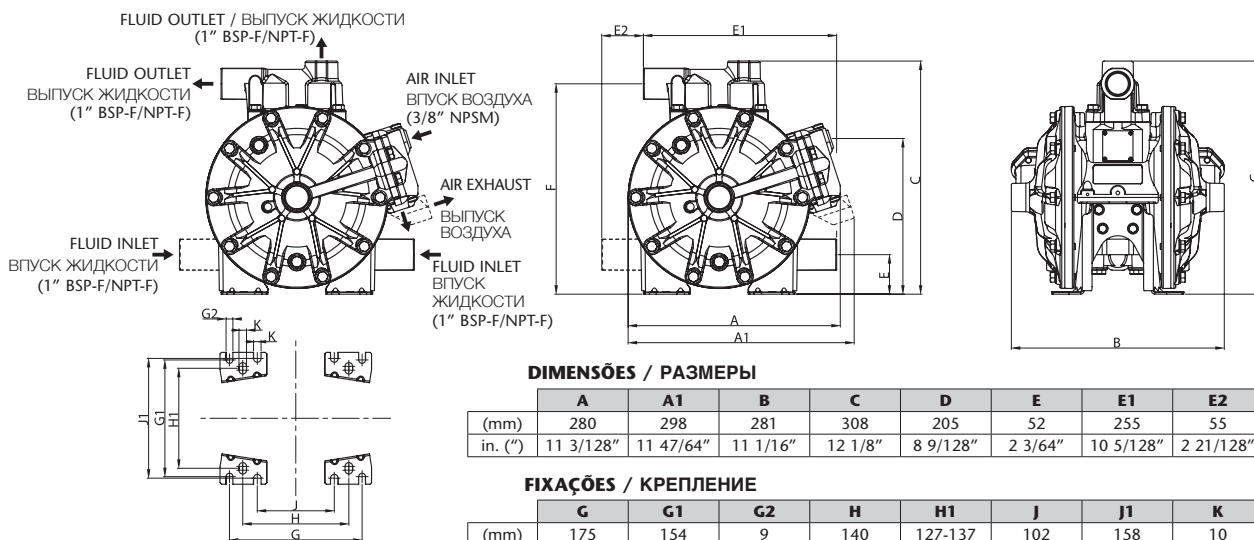
CURVA DE CAPACIDADE / КРИВЫЕ ПРОИЗВОДИТЕЛЬНОСТИ

(oz, ft, gal/min) tudo em unidades americanas (унция, фут, гал/мин) все в единицах США

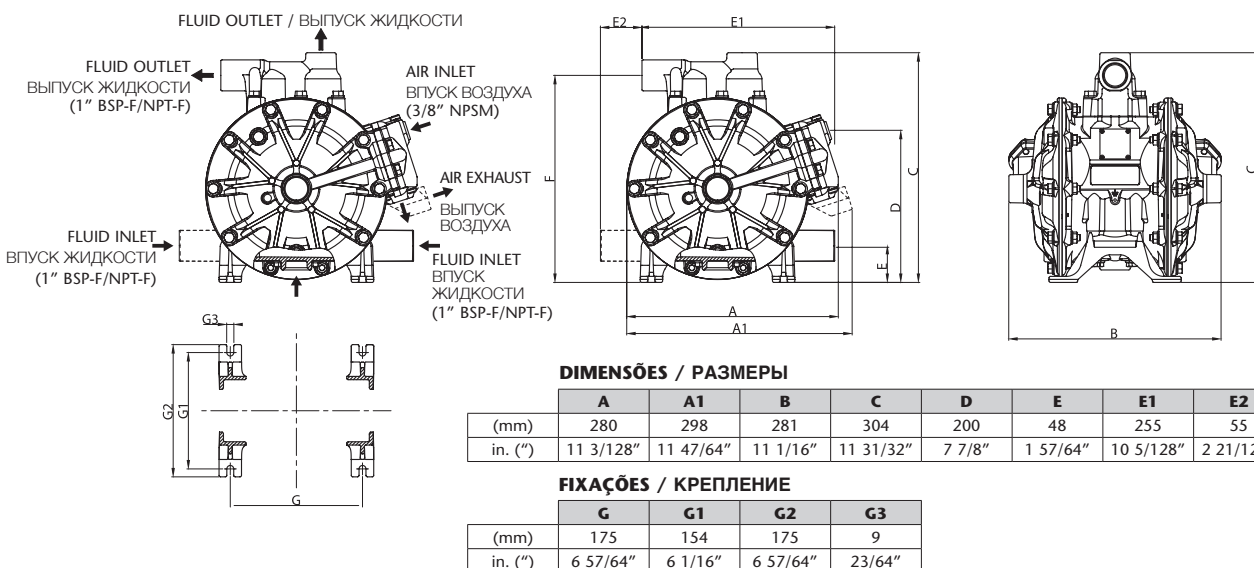


DIMENSÕES / РАЗМЕРЫ

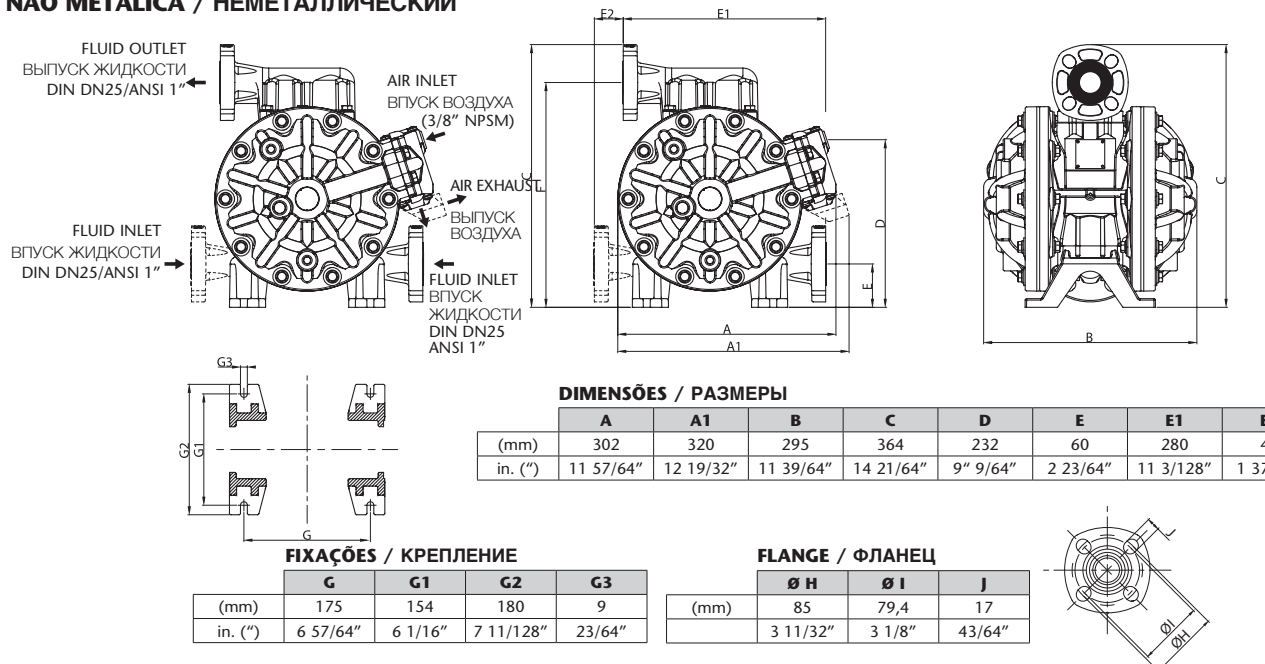
METÁLICA-ALUMÍNIO / МЕТАЛЛИЧЕСКИЙ - АЛЮМИНИЙ



METÁLICA-AÇO INOXIDÁVEL / МЕТАЛЛИЧЕСКИЙ – НЕРЖАВЕЮЩАЯ СТАЛЬ





NÃO METÁLICA / НЕМЕТАЛЛИЧЕСКИЙ



IMPORTANTE: Ao fazer uma manutenção da bomba que implique a desmontagem do coletor e a bomba for equipada com anéis de PTFE (cor branca), eles devem ser substituídos por novos para evitar vazamentos de fluido.

ВАЖНО: при выполнении технического обслуживания насоса, требующего разборки коллектора, если насос оснащен уплотнительными кольцами из PTFE (белый цвет), их необходимо заменить новыми, чтобы избежать протечки жидкости.

Neste documento você encontrará avisos e precauções para a instalação, uso e manutenção das bombas. Aqui estão os significados dos símbolos e alguns avisos gerais aos quais você deve estar ciente.

-  **ADVERTÊNCIA:** Este símbolo alerta que o não cumprimento das instruções indicadas pode resultar em uma situação de ferimentos graves ou morte.
-  **ATENÇÃO:** Este símbolo alerta sobre danos ou destruição do equipamento se as instruções não forem seguidas.

 **ATENÇÃO: ¡Leia atentamente o manual de instruções e suas advertências antes de começar a operar o equipamento!**

- Este equipamento é apenas para uso profissional.
- Não degrade a integridade do equipamento. Utilize apenas componentes de substituição originais da Samoa Industrial, S.A.
- Os fluidos não adequados para a bomba podem causar danos e causar risco de lesões corporais graves.
- Consulte sempre a SAMOA, caso tenha dúvidas sobre a compatibilidade dos fluidos e dos materiais da bomba, incluindo os elastômeros.
- Instale e utilize a bomba de acordo com todos os regulamentos locais e nacionais e respeite todas as leis ou legislações em matéria de saúde e segurança.
- A bomba pode produzir pressões de saída de fluido iguais à pressão de alimentação de ar.
- Não exceda a pressão máxima permitida de fornecimento de ar de 120 psi (8 Bar). A pressão hidráulica total (pressão diferencial + sistema) nunca deve exceder 120 psi (8 Bar).
- Nunca utilize uma bomba que apresente vazamentos, que esteja danificada ou que não tenha a capacidade de conter o fluido.
- Verifique com frequência se os parafusos da tampa do diafragma da bomba estão corretamente apertados.
- Não utilize um modelo com superfícies de alumínio para bombear fluidos para consumo humano, existe a possibilidade de contaminação por chumbo.
- Perigo de explosão se utilizado 1,1, 1-tricloroetano, etil acetato ou metileno ou outros solventes de hidrocarbonetos halogenados com materiais de alumínio. Estes componentes podem causar lesões graves e danos à propriedade.
- Dentro da bomba, os diafragmas separam o fluido que está sendo bombeado do suprimento de ar.
- Se um diafragma se romper, o fluido pode vazá-lo para fora e escapar de área contaminar o ambiente.
- Ao manusear fluidos perigosos, sempre encaminhe a exaustão de ar para um recipiente apropriado e localize-a em um local seguro.
- Quando o nível do reservatório de fluido está situado mais alto do que o nível da bomba, (sucção inundada), o tanque de saída deve estar em um nível mais alto do que o produto para evitar derramamentos.
- Para bombas que manipulam fluidos perigosos para os seres humanos ou para o ambiente, instale um recipiente adequado (contenção) ao redor da bomba para evitar vazamentos ou derramamentos. Certifique-se de que os operadores deste equipamento são treinados sobre o funcionamento e as limitações. Use equipamento de segurança como óculos de segurança ou outros equipamentos necessários.

DESCRIÇÃO

As bombas pneumáticas de duplo diafragma são bombas movidas a vácuo com duas câmaras de bombeamento. Dois diafragmas, localizados centralmente nas câmaras, separam o ar comprimido (lado seco) do fluido a ser bombeado (lado úmido). Um eixo transmite o movimento alternativo de um diafragma para o outro. Uma válvula direcional distribui alternativamente o ar de uma câmara para a outra; assim, um movimento alternativo dos diafragmas é criado. Com cada curso, o fluido é descarregado por um dos diafragmas enquanto que o diafragma oposto suga novo fluido na câmara de expansão. Válvulas de retenção, duas no lado de descarga e duas no lado de sucção, controlam e direcionam o fluxo do fluido.

MATERIAL	TEMPERATURA DE ALCANCE
PTFE	5 °C - 105 °C / 41 °F - 221 °F
NBR	10 °C - 80 °C / 50 °F - 176 °F
Acetal	10 °C - 90 °C / 50 °F - 194 °F
Hytrel®	10 °C - 90 °C / 50 °F - 194 °F
Neopreno	-18 °C - 93 °C / 0 °F - 200 °F
Santoprene®	-29 °C - 135 °C / -20 °F - 275 °F
Viton®	-10 °C - 177 °C / -4 °F - 351 °F
Polipropileno	10 °C - 80 °C / 50 °F - 176 °F

INSTALAÇÃO

RECOMENDAÇÕES DE INSTALAÇÃO

- Remova a bomba da embalagem e instale-a no local escolhido.
- Tente minimizar a altura de sucção. Instale a bomba o mais próximo possível do fluido a ser bombeado.
- Lembre-se de ter espaço suficiente ao redor da bomba para realizar tarefas de manutenção.
- Lembre-se de ligar corretamente a entrada e a saída da bomba.
- Em caso de falha da bomba, a exaustão de ar expulsará o produto que está sendo bombeado.
- Quando a bomba estiver instalada num local onde um derramamento de fluido possa causar um impacto ambiental, o escape deve ser dirigido para um local seguro, onde este derramamento pode ser contido.
- Ao instalar a bomba em seu lugar, use suportes para fixar sua base.
- Aperte todos os parafusos com os torques contidos neste manual.

INSTALAÇÃO

AS BOMBAS DP SÃO MUITO FLEXÍVEIS E FÁCEIS DE INSTALAR

INUNDADO

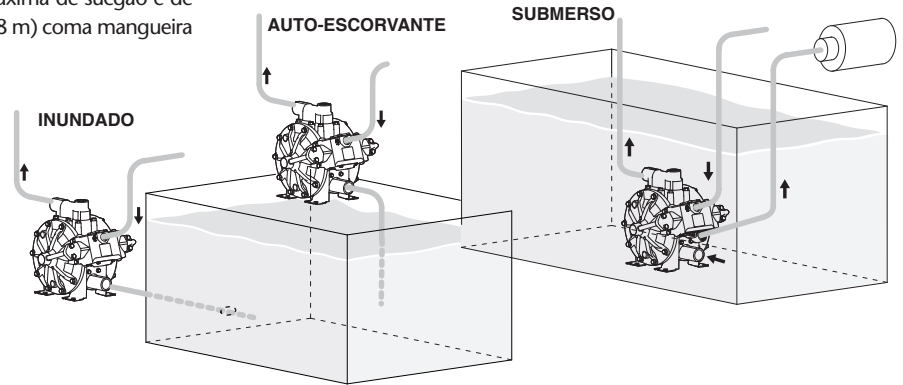
O sistema de bombeamento foi projetado com pressão positiva na entrada. Esta é a melhor instalação possível quando é necessário evacuar o líquido do tambor ou tanque, ou quando se trabalha com fluidos viscosos. Não recomendado para líquidos perigosos.

AUTO-ESCORVANTE:

A bomba é projetada para gerar vácuo. É possível evacuar todo o ar de uma mangueira ou tubo sem danificar a bomba. A altura máxima de sucção é de 5 m, com mangueira de sucção vazia e até 26,25 pés (8 m) com mangueira cheia de fluido.

SUBMERSO:

Todas as bombas DP podem ser imersas em fluidos. É importante que verifique se todos os componentes que estão em contacto com o fluido são quimicamente compatíveis. Neste caso, o ar e as saídas de fluidos devem ser canalizados para o exterior por meio de mangueiras. (Sistema opcional de ligação de ar).



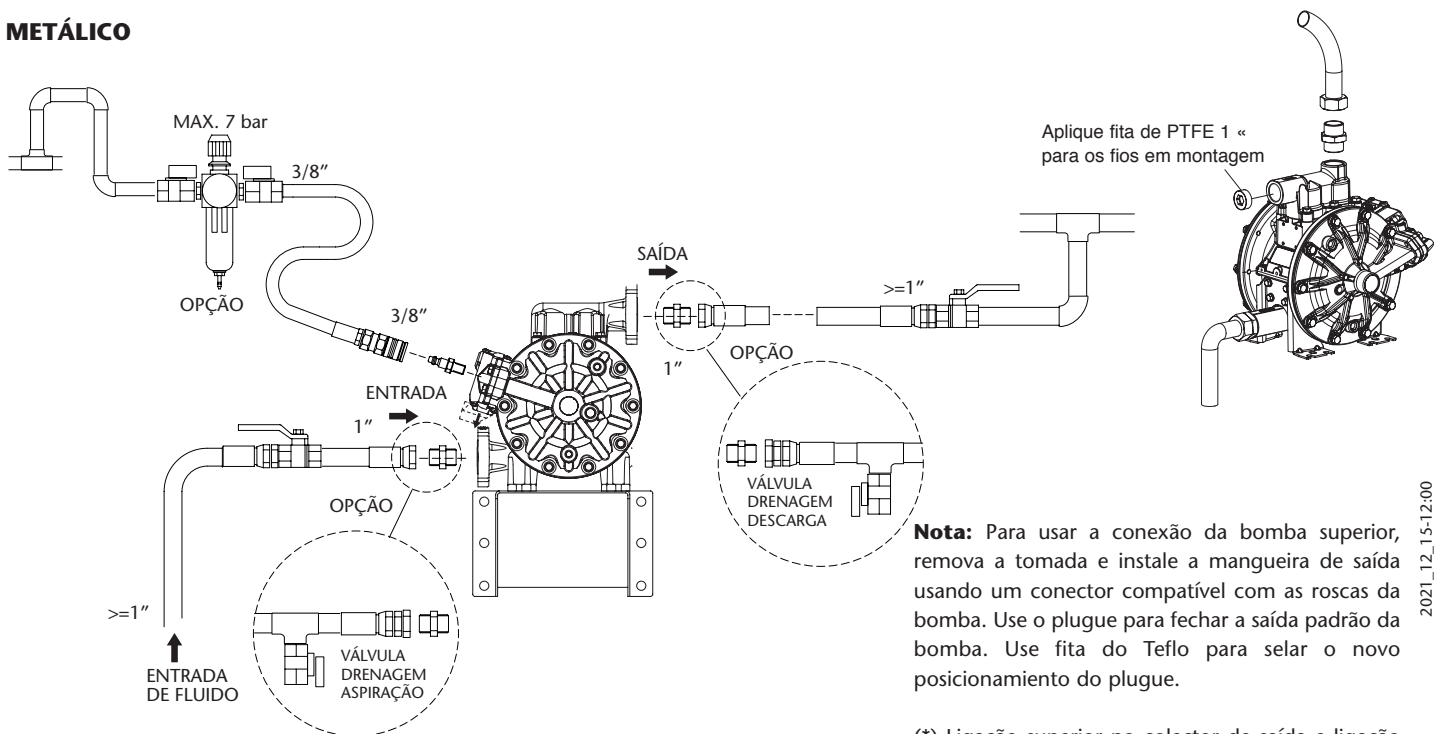
NOTA: Utilize um regulador de pressão com entrada de filtro incorporada.

NOTA: O fornecimento de ar comprimido deve estar entre 20 PSI (1,5 bar) e 120 PSI (8 bar).

INSTALAÇÃO RECOMENDADA

A figura abaixo mostra a configuração recomendada para a instalação de uma bomba de diafragma. Leia os avisos e recomendações da página anterior antes de iniciar.

METÁLICO

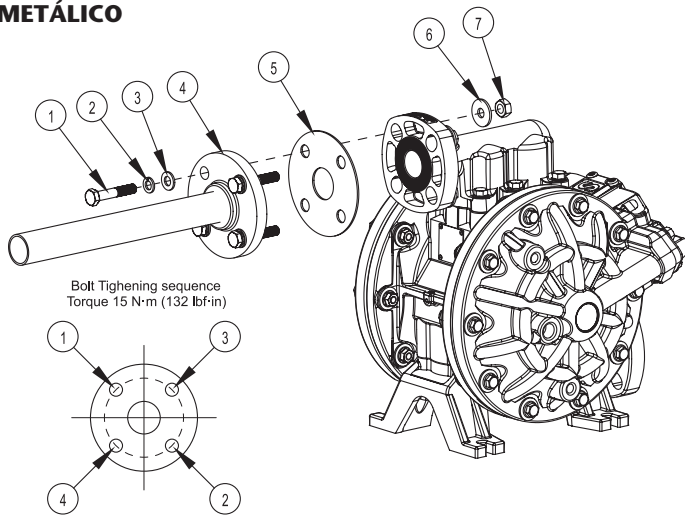


2021_12_15-12:00

(*) Ligação superior no colector de saída e ligação inferior no colector de entrada à bomba de aço inoxidável: Apenas disponível por encomenda especial (Pergunte à Samoa Industrial, S.A. ou ao seu distribuidor local).

INSTALAÇÃO RECOMENDADA

NÃO METÁLICO

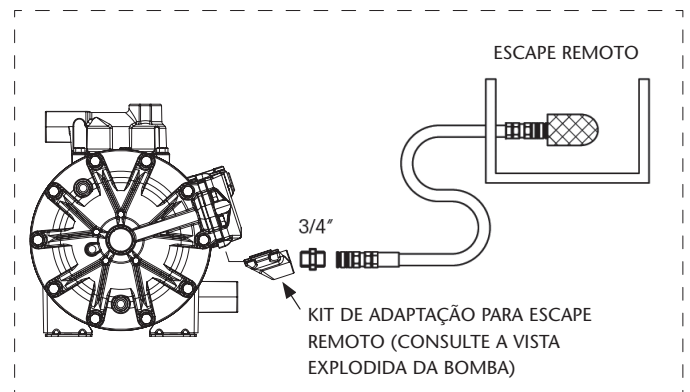


Nº	DESCRIPCIÓN	Qty.
1	Parafusos	4
2	Arruela de fecho de mola	4
3	Arruelas planas	4
4	Flange de tubo padrão	1
5	Embalagem	1
6	Arruelas planas	4
7	Porcas	4

ELIMINAÇÃO DE ESCAPE DE AR

⚠ ATENÇÃO

- É necessário realizar a instalação de acessórios para o escape de ar remoto.
- Desaparafuse os 4 parafusos e retire o silenciador padrão (pos. 1-1 O, pos.1-12) no desenho de peça da bomba página 8.
- Coloque o adaptador de escape remoto (pos. 1-41), (lembre-se de instalar o o-ring incluído no seu alojamento, (1-40). Parafuse os quatro parafusos (pos.142) anteriormente removido.
- Conecte uma mangueira à nova entrada de exaustão e instale o silenciador na extremidade da mangueira. Use uma mangueira com o mesmo diâmetro que a saída de escape 3/4 "NPT.
- Tenha um fosso, uma caixa de proteção, etc. na extremidade da mangueira.



CONEXÃO DE AR

⚠ ATENÇÃO

Para garantir que o fornecimento de ar é suficiente para satisfazer a demanda da bomba, o diâmetro do tubo de ar deve ser igual ao diâmetro da entrada de alimentação da bomba. Escolha equipamentos auxiliares de tratamento de ar e acessórios com fluxo de ar suficiente para exceder o consumo de ar da bomba. Além disso, o equipamento de tratamento de ar periférico deve ser instalado o mais próximo possível da unidade de bomba. O uso de um acoplador para conectar as mangueiras auxiliares facilita futuras tarefas de operação e manutenção. A bomba não necessita de lubrificação externa (lubrificante).

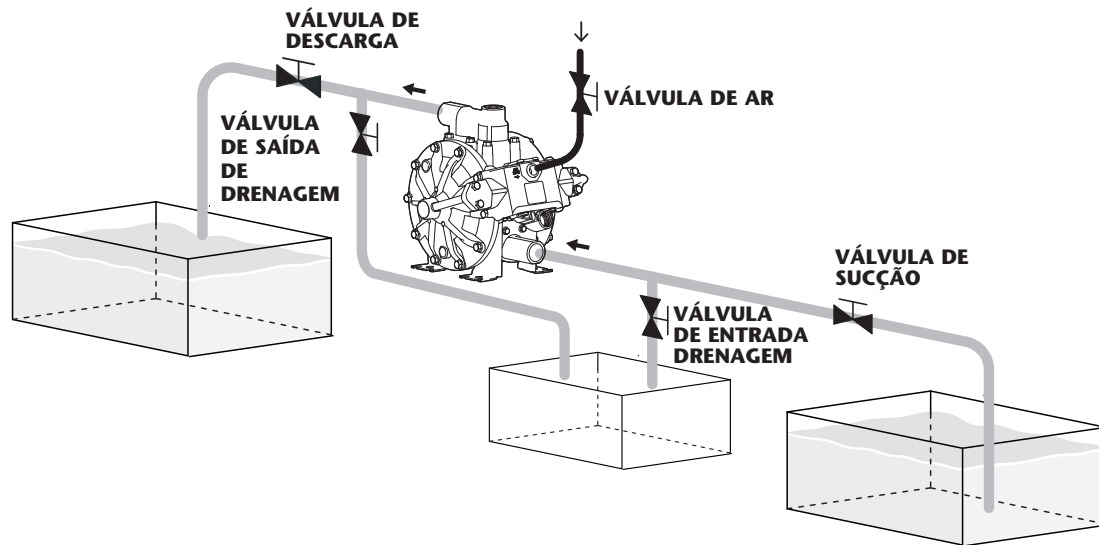
INSTRUÇÕES DE OPERAÇÃO

ESTA BOMBA É AUTO-ESCORVANTE.


Para escorvar pela primeira vez, voce deve conectar a alimentac;ao de ar da bomba, a urna baixa pressao, usando os reguladores de pressao enquanto mantém a válvula de saída aberta (gatilho). Quando o fluido começa a fluir pela saída da bomba, a bomba é escorvada. Para a regulagem da pressao do fluido, a unidade deve ser alimentada com urna pressao de ar entre 1,5 e 8 Bar (20 e 120 Psi). Ajuste a válvula de descarga para controlar o fluxo. Para as características de desempenho da bomba veja a curva de capacidade contida neste manual.

PARANDO A BOMBA PARA MANUTENÇÃO

- Interromper a alimentac;ao de ar.
- Certifique-se de que a válvula de ar está fechada.
- Desligue o compressor de ar ou feche a válvula no lado de alimentac;ao de ar do equipamento auxiliar.
- Fechar a válvula de descarga e a válvula de succ;ao. Caso tenha linha hidráulica de drenagem, realizar a abertura das válvulas (conforme imagem abaixo).
- Abra a válvula de ar da bomba e elimine o líquido restante.
- Feche a válvula de ar.
- Depois de assegurar que a bomba foi desligada e a pressao foi liberada, está pronta para a manutenção.



ATERRAMENTO DA BOMBA

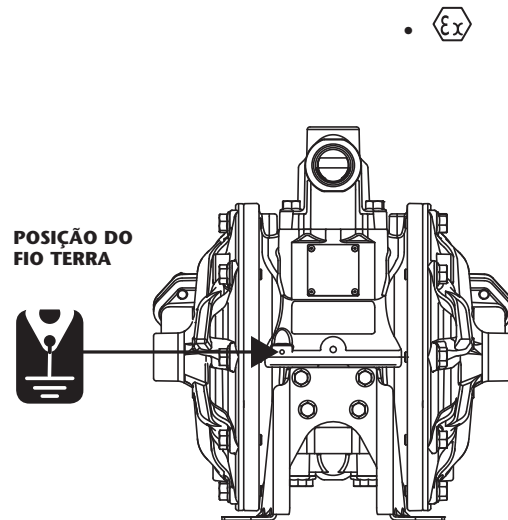
- Ao instalar a bomba, assegure-se de efetuar o aterramento no local indicado.
- Conecte também aterramento para o equipamento auxiliar e tubulagao.
- Utilize um cabo de aterramento de pelo menos bitola 2,0 mm².
- Se a bomba que adquiriu for válida para Atex, um manual específico de Atex a acompanhará.
- Leia este manual antes de operar a bomba.
- Se a unidade estiver marcada com o símbolo , pode ser usada em atmosferas potencialmente explosivas. Abaixo deste símbolo, na placa de identificação da bomba, são indicadas as áreas para as quais o equipamento é aprovado. Você também encontrará a temperatura máxima admissível na superfície na mesma placa.



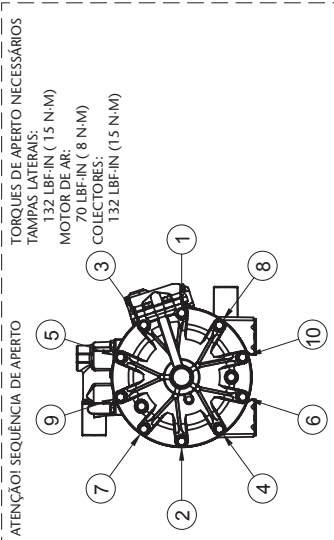
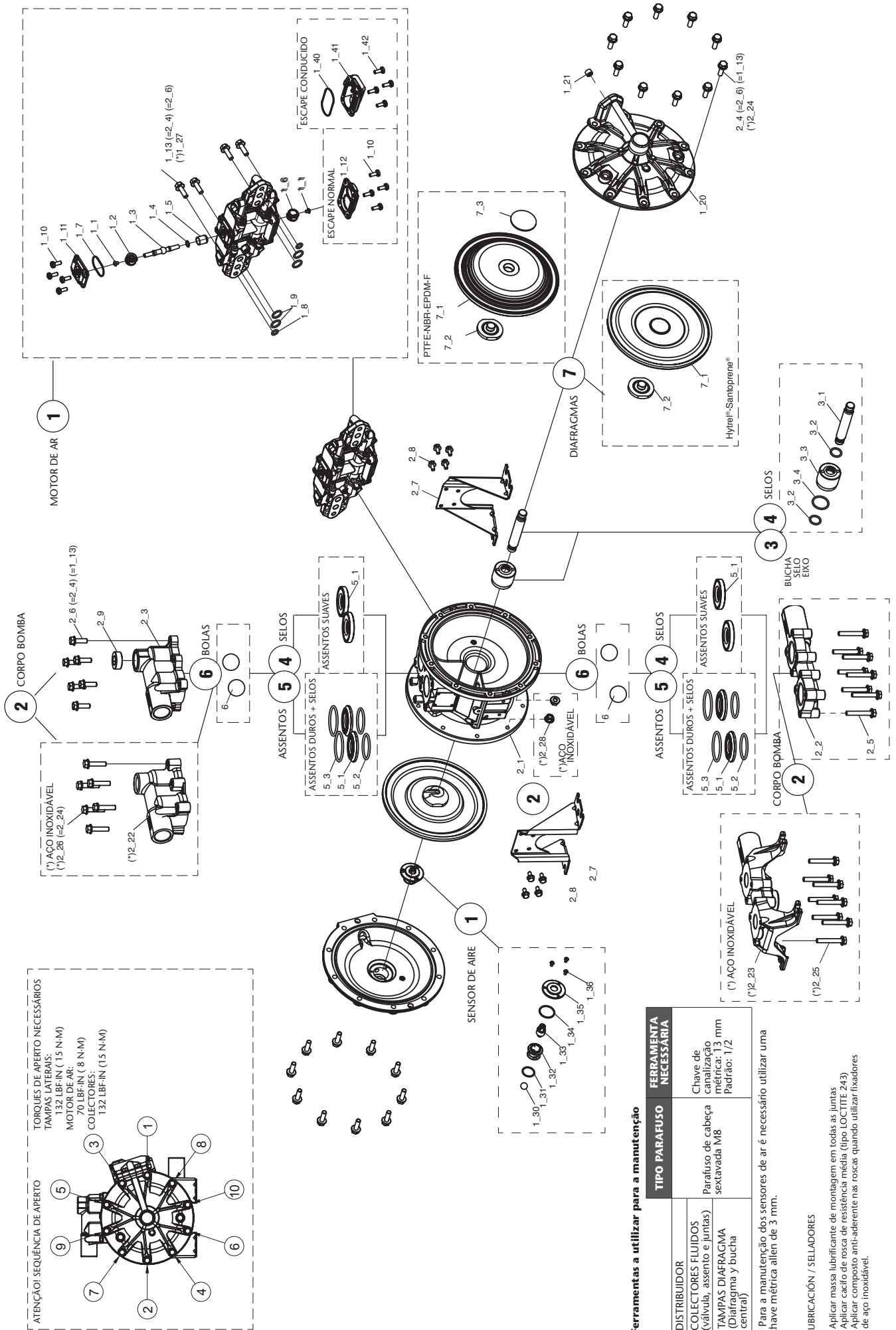
ATENÇÃO:

Conecte os fios de aterramento a bomba, tubulagao e todos os outros equipamentos também.

Quando a bomba funciona sem aterramento ou com urna conexao incorreta, o atrito entre as peças e a abrasao causada por alguns fluidos que fluem dentro da bomba podem gerar eletricidade estática. Além disso, de acordo como tipo de bomba e o ambiente de instalagao (tais como gases no ar ou o tipo de instalações circundantes) a eletricidade estática pode causar incendio ou choque elétrico.



BOMBA DE METAL, DESENHO DE PEÇAS SOBRESSALENTES



Ferramentas a utilizar para a manutenção

DISTRIBUIDOR	TIPO PARAFUSO	FERRAMENTA NECESSÁRIA
COLECTORES FLUIDOS (válvula, assento e juntas)	Parafuso de cabeça catenária	Chave de catenária
TAMPAS DIAFRAGMA (Diafragma y bucha central)	Parafuso de cabeça sextavada M8	Chave métrica: 13 mm Padrao: 1/2

* Para a manutenção dos sensores de ar é necessário utilizar uma chave métrica allen de 3 mm.

LUBRICACIÓN / SELLADORES

- Aplicar massa lubrificante de montagem em todas as juntas
- Aplicar cado de esca de resistência média (tipo LOCTITE 243)
- Aplicar composto anti-aderente nas roscas quando utilizar fixadores de aço inoxidável.

BOMBA DE METAL

DP200	X	X	X	X	X	X	X	X	X	X
	1	2	3	4	5	6	7	8	9	
DISTRIBUIDOR DE AR	PARTE CENTRAL	EIXO	SELOS	ASSENTOS	BOLAS	MEMBRANAS	LIGAÇÕES	OPÇÕES		
A Alumínio	A Alumínio S Aço inoxidável	S Aço inoxidável	N NBR V FKM E EPDM T PTFE	S Aço inoxidável A Alumínio P Polipropileno N NBR M Santoprene® H Hytrel®	T PTFE C POM S Aço inoxidável N NBR	H Hytrel® T PTFE M Santoprene® N NBR	B BSP N NPT	A Bomba padrão B Kit saída de ar rosca incluído C Detector de ruptura de diafragma D Sensor de ciclos E Controle externo com válvula solenóide (não incluída) F Silenciador de nariz incluído G Controle externo com válvula de solenóide (no incluída) y sensor de final de Carrera inductivos NPN (incluídos) I Controle externo com válvula solenóide (não incluída) e sensor de fim de curso inductivo ATEX - Namur- (incluído) U Bomba para fluidos UV		

1		DISTRIBUIDOR DE AR	
DISTRIBUIDOR DE AR	SENSOR DE AR	ESCAPE DE AR	
POS 1_1 to 1_13	POS 1_30 to 1_36	POS 1_40 to 1_42	
A 558525	558527	558562	

2				CUERPO CENTRAL Y COLECTORES DE FLUIDO			
CORPO CENTRAL		COLECTOR ENTRADA	COLECTOR DE SAIDA				
POS 2_1	POS 2_2	POS 2_2	POS 2_3				
755123.001	BSP THREADS	NPT THREADS	BSP THREADS	NPT THREADS			
S 855052	755126.001	755126.301	755125.001	755125.301			
	855054	855054.300	855053	855053.300			

3		KIT REPARO EIXO	
EIXO	SELO	CÓD. KIT	CODIFICAÇÃO NÚMÉRICA 55XXXX
S	V	558556	-
S	E	558557	-
S	T	558566	-
S	N	558554	555010/555030

5		KIT REPARO ASSENTOS DE VÁLVULA	
ASSENTO	SELO	CÓD. KIT	CODIFICAÇÃO NÚMÉRICA 55XXXX
A	N	558539	-
A	V	558540	-
A	E	558541	-
A	T	558542	-
S	T	558551	-
N	-	558535	555030
H	-	558552	555010
M	-	558553	-

6		KIT DE REPARO DE BOLAS DE VÁLVULA	
	CÓD. KIT	CODIFICAÇÃO NÚMÉRICA 55XXXX	
T	558529	-	
C	558528	555010/555030	
S	558530	-	
N	558531	-	

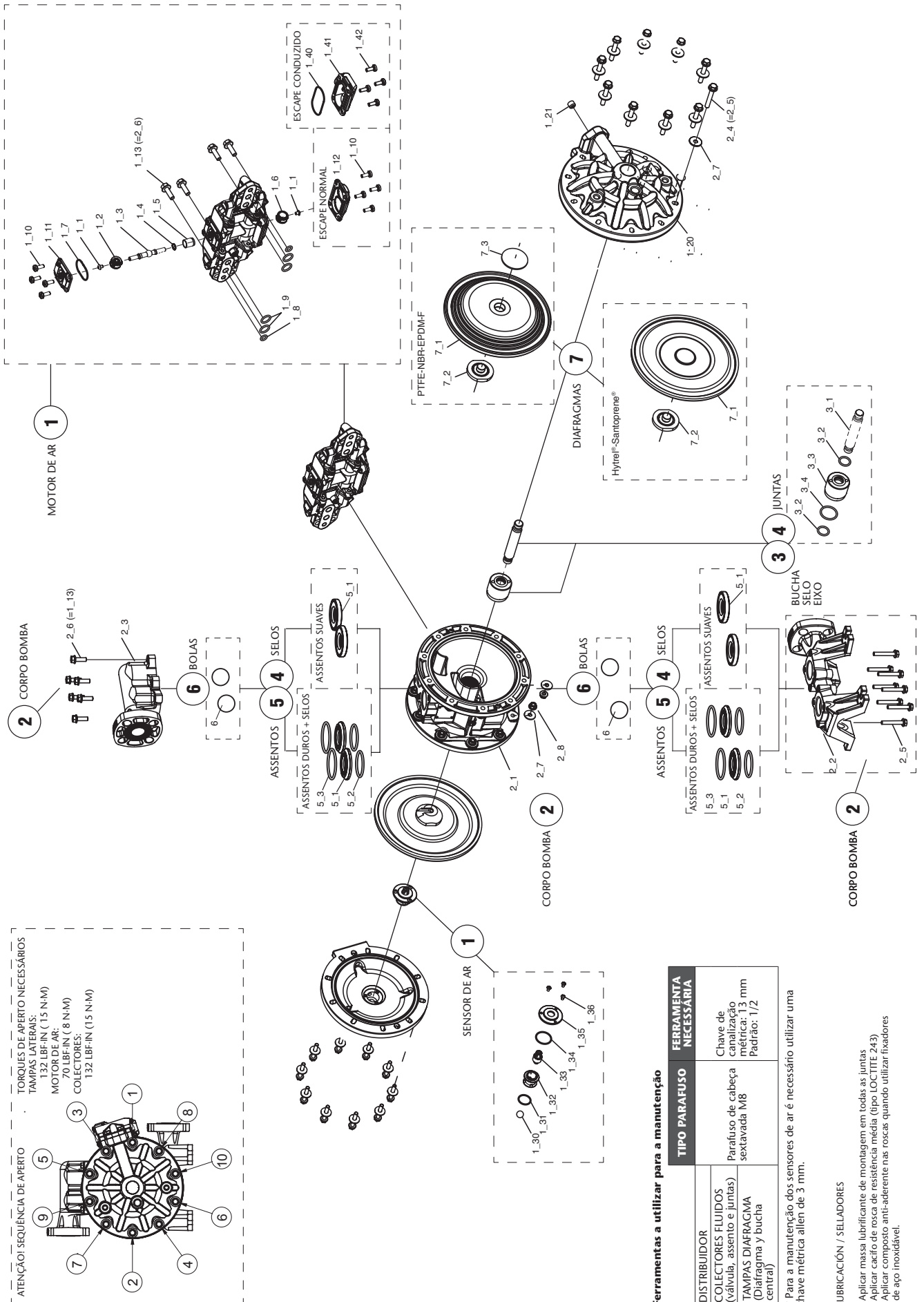
7		MEMBRANAS	
	CÓD. KIT	CODIFICAÇÃO NÚMÉRICA 55XXXX	
H	558521	555010	
M	558523	-	
N	558561	555030	
T	558522	-	

ETIQUETA CARACTERÍSTICAS TÉCNICAS



MODELO: 55XXXX (codificação numérica)
 DP200XXXXXXXXXX (codificação alfanumérica)

BOMBA NÃO METÁLICA, DESENHO DE PEÇAS SOBRESSALENTES



Ferramentas a utilizar para a manutenção

DISTRIBUIDOR	TIPO PARAFUSO	FERRAMENTA NECESSÁRIA
COLECTORES FLUIDOS (válvula, assento e juntas)	Parafuso de cabeça canalizada métrica: 13 mm	Chave de canalização
TAMPAS DIAFRAGMA (Diafragma y bucha central)	Parafuso de cabeça sextavada M8	Chave de cabeça métrica: 13 mm
		Padrao: 1/2

* Para a manutenção dos sensores de ar é necessário utilizar uma chave métrica allen de 3 mm.

LUBRICACIÓN / SELLADORES

- Aplicar massa lubrificante de montagem em todas as juntas
- Aplicar cado de resina de resistência média (tipo LOCTITE 243)
- Aplicar composto anti-aderente nas roscas quando utilizar fixadores de aço inoxidável.

BOMBA NÃO METÁLICA

DP200	X	X	X	X	X	X	X	X	X	X	X
	1	2	3	4	5	6	7	8	9		
DISTRIBUIDOR DE AR P Polipropileno	CORPO COLECTORES P Polipropileno B PP conductivo W PVDF	EIXO S Aço inoxidável Y Hastelloy® C	SELOS N NBR V FKM E EPDM T PTFE	ASSENTOS P Polipropileno C POM W PVDF M Santoprene® H Hytrel®	BOLAS T PTFE C POM S Aço inoxidável N NBR	DIAFRAGMAS H Hytrel® T PTFE M Santoprene® N NBR	LIGAÇÕES F Flange	OPÇÕES A Bomba padrão B Kit saída de aire rosçada incluído C Detector de ruptura de diafragma D Sensor de ciclos E Controle externo com válvula solenóide (não incluída) F Silencioso de nariz incluído G Control externo com válvula de solenóide (no incluída) y sensor de final de Carrera inductivos NPN (incluídos) I Controle externo com válvula solenóide (não incluída) e sensor de fim de curso inductivo ATEX -Namur- (incluído) U Bomba para fluidos UV			

1	DISTRIBUIDOR DE AR	
	SENSOR DE AR	ESCAPE DE AR
P	POS 1_1 a 1_13 558525	POS 1_40 a 1_42 558562

2	CUERPO CENTRAL Y COLECTORES DE FLUIDO	
	COLECTORES ENTRADA	COLECTORES SAÍDA
P	POS 2_1 755552	POS 2_3 BRIDA DIN/ANSI 755560
B	755553	896643
W	755556	896646

3	KIT DE REPARAÇÃO EIXO	
EIXO	SELO	CÓD. KIT
S	V	558556
S	E	558557
S	T	558566
Y	T	558559

4	KIT DE REPARAÇÃO ASSENTO DE VÁLVULA	
ASSENTO	SELO	CÓD. KIT
P	V	558544
P	E	558545
P	T	558546
C	V	558536
C	E	558537
C	T	558538
W	T	558548
H	-	558552
M	-	558553

6	KIT DE REPARAÇÃO DE BOLAS DE VÁLVULA	
	CÓD. KIT	CODIFICAÇÃO NUMÉRICA 55XXXX
T	558529	555164
C	558528	-
S	558530	-
N	558531	-

7	DIAFRAGMAS	
	CÓD. KIT	CODIFICAÇÃO NUMÉRICA 55XXXX
H	558521	555164
M	558523	-
N	558561	-
T	(1) 558522 (2) 558567	-

(1) Bomba com eje de Inoxidable.
(2) Bomba com veio Hastelloy® C.

ETIQUETA CARACTERÍSTICAS TÉCNICAS



MODELO:
55XXXX (codificação numérica)
DP200XXXXXXX (codificação alfanumérica)

CAUSA	MEDIDA RECOMENDADA
A BOMBA NAO FUNCIONA	
A válvula de descarga no lado de descarga nao está aberta.	Abrir válvula de descaraa no lado de descarga.
Sem alimentacao de ar.	Ligar o compressor e abra a válvula de are o regulador de ar.
A pressao de alimentacao de aré baixa.	Verificar o compressor e a configuracao da linha de ar.
Vazamentos de ar em elementos de conexao.	Verificar os elementos de conexão e o aperto dos parafusos.
Os tubos de ar ou equipamentos auxiliares estao obstruidos com sujeito.	Verificar e limpar a linha de ar.
A entrada de escape (silenciador) da bomba está obstruida com sujeira.	Verificar e limpar a porta de escape e o silenciador.
O tubo de fluido está obstruido com sujeira.	Verificar e limpar a linha de fluido.
A bomba está obstruida com sujeira.	Remover verificar e limpar o carpo da bomba.

A BOMBA FUNCIONA, MAS NENHUM FLUIDO SAI	
A válvula no lado da succao nao está aberta.	Abra la válvula en el lado de succión.
Altura de succao ou descaraa muito altas.	Confirmar a confiauracao do tubo e reduzir a altura.
O lado da descaraa do tubo (incluindo o filtro) está obstruido com sujeira.	Verificar e limpiar o tubo.
A bomba está obstruida com sujeira.	Desmontar a bomba verificar os pontos de sujeira e limpar.
A esfera e o assento da esfera estao desaastados o u danificados.	Verificar e substituir as oecas danificadas.

O FLUXO ESTÁ DIMINUINDO	
A pressao de alimentacao de ar está baixa.	Verificar o compressor e a configuração da linha de ar.
A linha de ar ou equipa mento periférico entupido.	Verificar e limpar a linha de ar.
A unidade do lado de descarga da válvula nao abre normalmente.	Aiustar o lado da descarga da válvula de descarga.
Ar na linha do fluido	Reabastecer o fluido e verificar a confiQuracao do tubo no lado da succao.
Ocorre cativação	Ajustar a pressao de alimentação de are a pressao de descarga e reduzir a sucção
Vibrações	Ajustar a pressao de alimentação de are a pressao de descarga. Reduzir o fluxo da válvula de entrada para ajustar a pressao e o volume de fluido.
Formação de gelo na exaustão de ar.	Remover o gelo da válvula by-pass de ar, verificar e limpar o filtro de ar. Usar um tubo no arde exaustao que o gelo nao forma no silenciador.
A linha de fluido (incluindo o filtro) taoada com sujeira.	Verificar e limoar o tubo do fluido e o filtro.
A entrada do silenciador da bomba está obstruida com sujeira.	Verificar e limpar a porta de escape e o silenciador.
A bomba está obstruida com sujeira.	Remover, inspecioar o corpo da bomba e exectar limpeza.

VAZAMENTO DE FLUÍDO ATRAVÉS DO SILENCIADOR	
Diafragma danificado.	Remover o diafragma com problema da bomba e substituí-lo.

RUÍDO IRREGULAR	
A pressao de alimentacao de aré muito alta.	Ajustar a pressao de alimentação de ar.
A bomba está entupida com partículas de sujeira maiores do que as dimenções de particulas permitidas.	Remover, verificar e limpar o corpo da bomba.

FLUIDO COM BOLHAR DE AR	
Diafragma danificado.	Substituir o diafragma.
Mangueira de sucção solta ou quebrada.	Apertar ou substituir a mangueira.

PRESSAO DE VAZAMENTO DE AR MOTORIZADA DE 1,5 A 8 BAR (20 A 120 PSI)	
Usar válvula direcional.	Substituir os componentes da válvula direccional.

SEM ARRANAUE E VAZAMENTO DE AR SEM CICLOS	
Sensores de ar ríaidos.	Alterar o sensor de ar.
Válvula direcional.	Substituir a válvula.

PROCEDIMENTOS DE REPARAÇÃO E MANUTENÇÃO

TORQUES NECESSÁRIOS PARA O FUNCIONAMENTO APROPRIADO DA BOMBA

Para uma operação adequada da bomba e para evitar acidentes que possam danificar o equipamento e, no pior dos casos, pessoas, você deve periodicamente revisar os torques das tampas dos diafragmas e da VÁLVULA DIRECIONAL. Na tabela seguinte são mostrados os torques apropriados para esta finalidade:

TORQUES DP200	Tampa do diafragma	15 N·m (132 lbf·in)
	Válvula direccional	8 N·m (70 lbf·in)
	Manifolds	15 N·m (132 lbf·in)

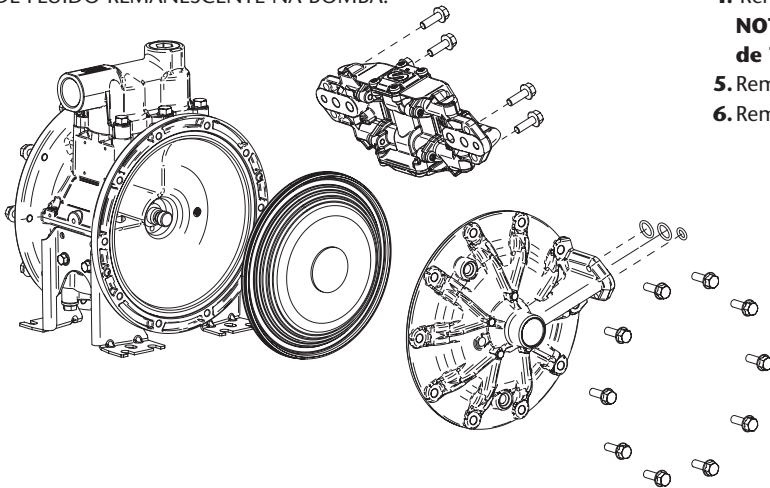
⚠ ATENÇÃO: NÃO APERTE DEMAIS OS PARAFUSOS.

MANUTENÇÃO DO DIAFRAGMA

Antes de qualquer intervenção:

DESCONECTE A ALIMENTAÇÃO DE AR DA BOMBA.

NAO É NECESSÁRIO REMOVER A BOMBA DA LINHA DE FLUIDOS. EM QUALQUER CASO, POR FAVOR, NOTE UM POSSÍVEL DERRAMAMENTO DE FLUIDO REMANESCENTE NA BOMBA.



Remoção do diafragma:

1. Feche as válvulas de entrada e de saída do fluido.
2. Drene o fluido dentro da bomba.
3. Remova a válvula direccional tomando cuidado para não danificar as vedações entre a válvula e o diafragma.
4. Remova a tampa do diafragma.

NOTA: Para apertar estes parafusos, deve utilizar urna chave de Torque calibrada (ver tabela de torque nesta página).
5. Remova a tampa puxando-a suavemente para trás.
6. Remova os diafragmas usados.

NOTA: Tenha cuidado para não perder as vedações entre a válvula e a tampa do diafragma.

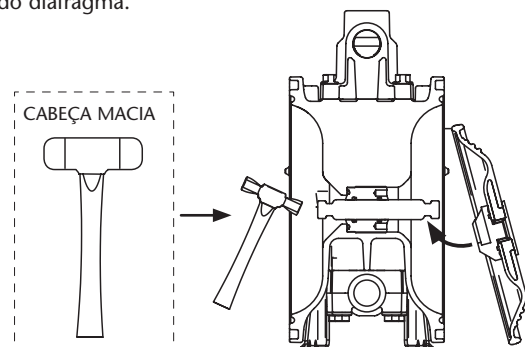
PROCEDIMENTO DE INSTALAÇÃO E MONTAGEM DOS DIAFRAGMAS

⚠ ATENÇÃO: Siga o próximo procedimento para garantir que os diafragmas estejam instalados corretamente. Se não for seguido, o grânulo de diafragma pode ser extrudido para fora do seu alojamento com o dano resultante sobre o rebordo do diafragma e assim possíveis fugas de fluido ou falha prematura do diafragma.

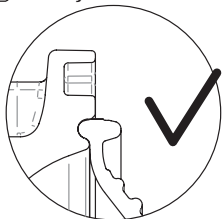
1. PREPARAÇÃO DO EIXO CENTRAL PARA A INSTALAÇÃO DO DIAFRAGMA

Usando um martelo de cabeça macia (borracha), deslocar a haste central para fora do corpo o suficiente para instalar o diafragma sem deformá-lo.

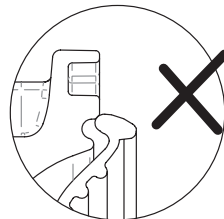
Evite instalar o diafragma sem preparar a haste central na sua posição correta. A membrana do diafragma pode ser danificada ao instalar a tampa do diafragma.



⚠ ATENÇÃO!



1. Montagem correta do diafragma antes do conjunto da tampa do diafragma.

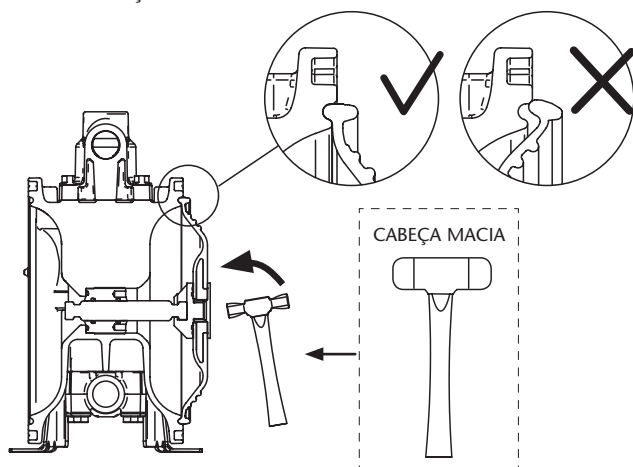


2. Montagem incorreta do diafragma. Possíveis danos ao montar a tampa do diafragma.

2. ALINHAMENTO DO PRIMEIRO DIAFRAGMA

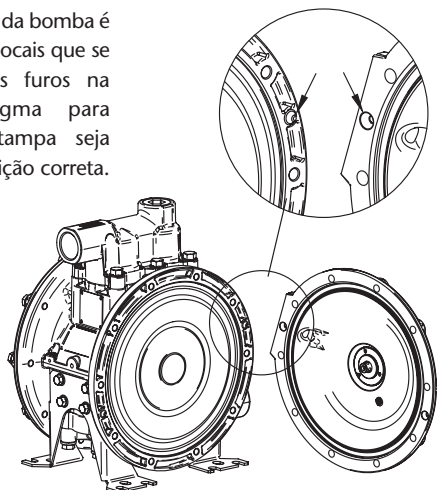
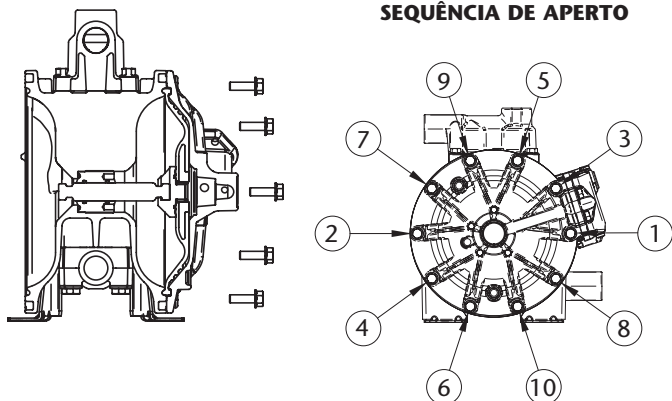
Utilizando um macete de cabeça macia, alinhar o diafragma até que o exterior do diafragma se encontre com a caixa do corpo sem deformação.

A área exterior do diafragma toca o seu alojamento no corpo central sem deformação.

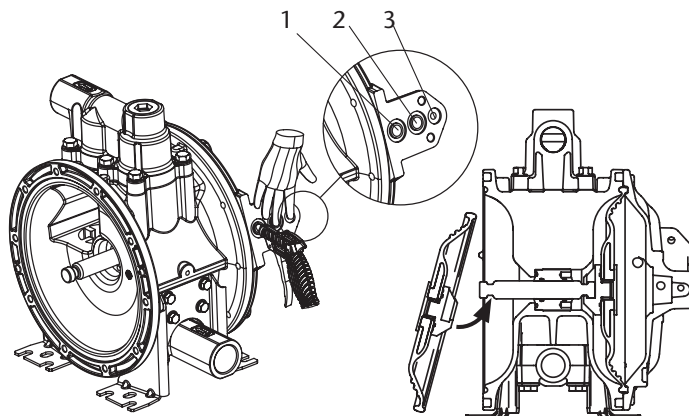
**3. INSTALAÇÃO DA TAMPA DE DIAFRAGMA**

Coloque a tampa do diafragma e aproxime-a usando os parafusos (siga a SEQUENCIA DE APERTO). Uma vez aproximado, aperte @ 132 lbf · in (15 N · m).

⚠ ATENÇÃO! O corpo da bomba é equipado com dois bocais que se encaixam com dois furos na tampa do diafragma para assegurar que a tampa seja colocada em sua posição correta.

**SEQUÊNCIA DE APERTO****4. ALINHAMENTO DA HASTE CENTRAL DO SEGUNDO DIAFRAGMA**

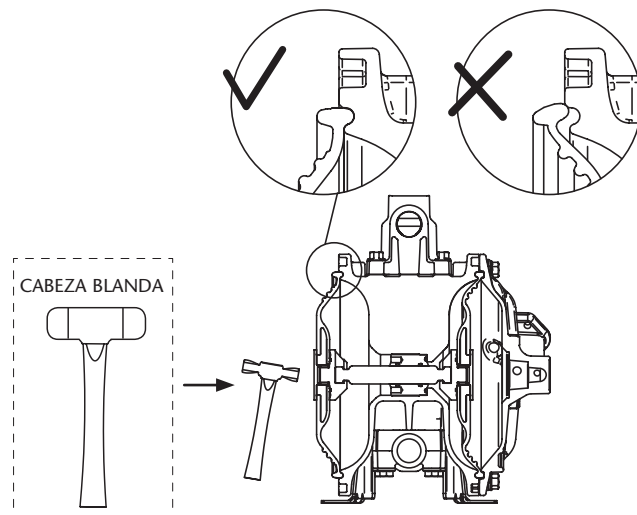
Utilizando uma pistola de ar alimentada com 1 bar (15psi) de pressão máxima, injete ar na câmara de ar da tampa do diafragma através do furo nº1, enquanto isso feche os furos nº 2 e nº 3. O ar comprimido deslocará a haste central permitindo a instalação do diafragma sem deformação.



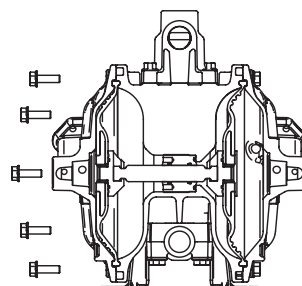
Quando o ar comprimido entra no orifício nº 1 enquanto o nº 2 e o nº 3 estão fechados, o diafragma é deslocado, deslocando o eixo central permitindo a instalação da membrana.

5. ALINHAMENTO DO SEGUNDO DIAFRAGMA

Instale o segundo diafragma, novamente, usando o martelo de cabeça macia, alinhe o diafragma até que o granulo toque o alojamento sem deformação.

**6. INSTALAÇÃO DA TAMPA DO SEGUNDO DIAFRAGMA**

Siga o mesmo procedimento que a primeira tampa do diafragma descrita no ponto nº 3.

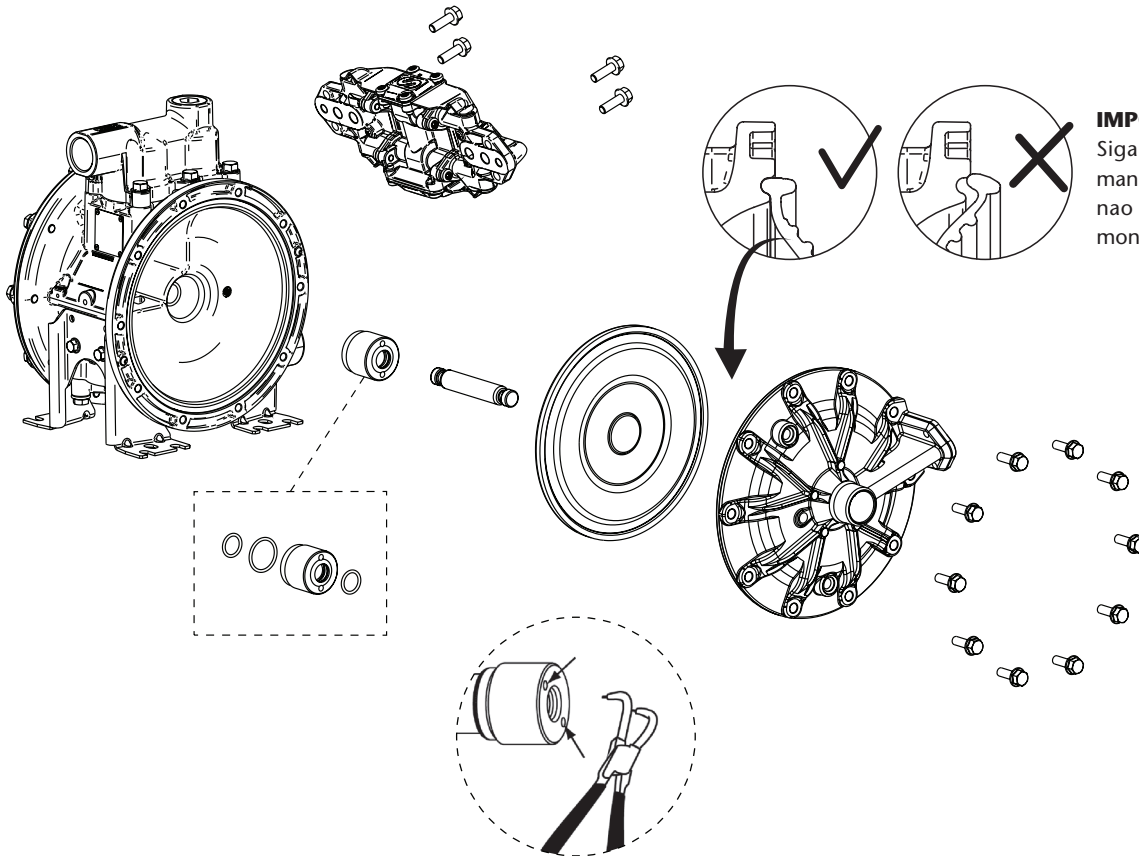


PROCEDIMIENTOS DE REPARAÇÃO E MANUNTENÇÃO

HASTE CENTRAL E MANUNTENÇÃO DO SELO

NOTA: A haste central de empurraré colocada entre os diafragmas da bomba.

1. Remova a tampa lateral a direita da entrada de fluido, conforme mostrado na figura, seguindo o procedimento para "Substituir diafragmas".
2. Remova o eixo de seu alojamento puxando-o de uma extremidade. A capa em Teflon® é instalada no corpo. Para remover, use alicates de anel de pressão nos dois orifícios indicados na figura.
3. Uma vez que a tampa foi removida, remova o O-ring dentro do corpo da bomba.
4. Substitua o kit seguindo a ordem carreta mostrada no desenho de montagem. Remonte a bomba na ordem inversa.



IMPORTANTE:

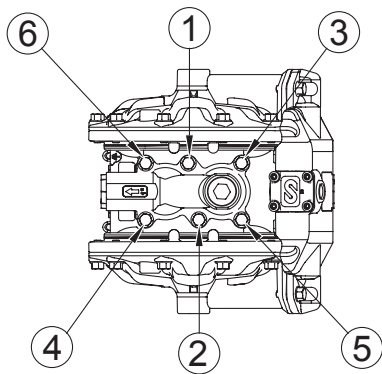
Siga o procedimento de manutenção do diafragma para não danificá-lo durante a montagem.

VÁLVULAS E MANUTENÇÃO DAS ESFERAS

1. Feche as válvulas de fluido.
2. Drene o fluido do interior da bomba.
3. Remova os manifolds de entrada e de saída. Tome nota da orientação dos manifolds.
4. Instale um novo conjunto de válvulas ou assentos de acordo com estes desenhos de montagem. Aperte os parafusos do manifolds com um torque máximo de 132 lbf · in (15 N·m).
IMPORTANTE: Sempre aproximar os parafusos do manifolds antes do aperto final.
5. Montar a válvula direcional cuidando para não danificar os O-rings e aperte os parafusos com um torque máximo de 70 lbf · in (8 N · m).

⚠ ATENÇÃO!

O manifold das bombas DP200 equipado com junta tórica PTFE (Teflon) deve ser apertado seguindo a sequência mostrada. Aperte sempre o parafuso (1) e (2), em primeiro lugar para evitar danos ao colector e às vedações.

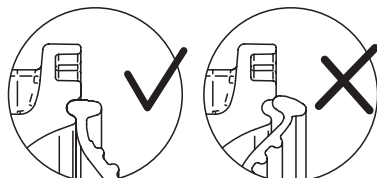


MANUTENCAO DO SENSOR DE AR

Os sensores de ar estão na parte interna das tampas do diafragma. Para acessá-los, siga o procedimento para "Substituir diafragmas".

Uma vez removidas as tampas, use os seguintes procedimentos:

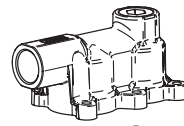
1. Remova a tampa lateral
2. Remova os dois parafusos que fixam o sensor de ar ao topo.
3. Introduza novas componentes na ordem mostrada.
4. Encaixe os componentes restantes na ordem inversa. Coloque a tampa lateral e aperte os parafusos.



KIT DO SENSOR 558527

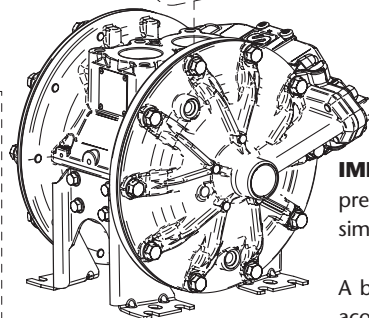
IMPORTANTE: Siga o procedimento de manutenção do diafragma para não danificar o diafragma durante a montagem.

Parafusos do manifold de saída
25 mm (1")
15 N·m (132 lbf·in)



Montagem da base rígida

Asiento blando

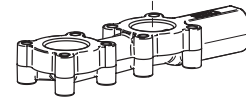


Esta superfície sempre para baixo

IMPORTANTE: As bases flexíveis não precisam de vedações extras e base é simétrica.

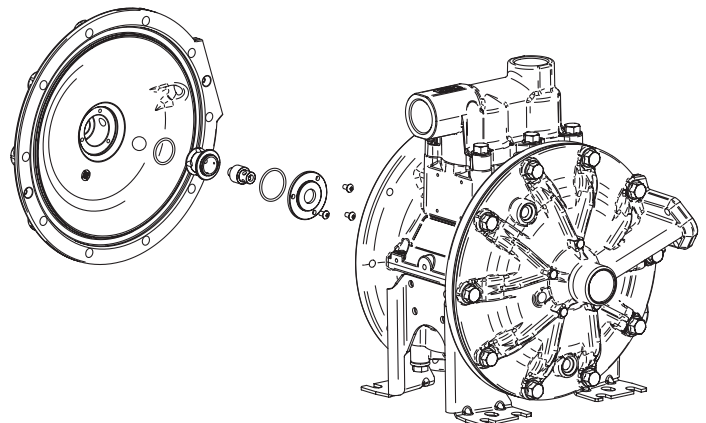
A base rígida (PP, POM, PVDF, alumínio, aço inoxidável), usam o-rings adicionais para a selagem. Consulte a posição da base no desenho para garantir a montagem correta.

O diâmetro do o-ring maior é montado sobre a base o menor abaixo dela.



Os parafusos manifolds de entrada são 50 mm (1.96") de comprimento
15 N·m (132 lbf·in)


IMPORTANTE: Ao realizar manutenções na bomba que envolvam desmontagem dos manifolds e a bomba estiver configurada com vedações de PTFE (cor branca), estas devem ser substituídas por novas para evitar vazamentos de fluido.



ПРЕДУПРЕЖДЕНИЯ И МЕРЫ ПРЕДОСТОРОЖНОСТИ

В этом документе приводятся предупреждения и меры предосторожности, относящиеся к установке, эксплуатации и техническому обслуживанию насосов.

Ниже описываются значения символов, используемых в этом документе, и предупреждения общего характера, о которых необходимо помнить.

 **ОСТОРОЖНО:** Этот символ означает, что в случае игнорирования указанного предупреждения существует опасность серьезной физической травмы или летального исхода

ВНИМАНИЕ: Этот символ означает, что в случае игнорирования указанного предостережения существует опасность несчастного случая или материального ущерба.

 **ОСТОРОЖНО: СЛЕДУЕТ ВНИМАТЕЛЬНО ПРОЧИТАТЬ ИНСТРУКЦИИ И ПРЕДУПРЕЖДЕНИЯ ПЕРЕД ЭКСПЛУАТАЦИЕЙ ОБОРУДОВАНИЯ!**

- Это оборудование предназначено только для профессионального применения.
- Не допускать ухудшения качества оборудования. Использовать только оригинальные запасные компоненты от Samoa Industrial, S.A.
- Использование жидкостей, не совместимых с насосом, может привести к его повреждению и причинить серьезную травму. При возникновении вопросов о совместимости жидкостей и материалов насоса, в том числе эластомеров, следует консультироваться со специалистами компании Samoa Industrial, S.A.
- Установить и использовать насос в соответствии со всеми местными и национальными правилами и соблюдать все законодательные и нормативные акты по охране труда и технике безопасности.
- Насос может создавать давление жидкости, равное давлению подачи воздуха. Не превышать максимально допустимое давление подачи воздуха 120 фунт/кв. дюйм (8 бар). Общее гидравлическое давление (дифференциальное + системное) ни в коем случае не должно превышать 120 фунт/кв. дюйм (8 бар).
- Ни в коем случае не использовать текущий, поврежденный или подверженный коррозии насос, а также насос, не имеющий достаточного объема для содержания жидкости.
- Регулярно проверять затяжку болтов на крышке мембраны насоса.
- Нельзя использовать насос с алюминиевыми смачиваемыми поверхностями в целях перекачивания жидкостей, предназначенных для потребления человеком, поскольку существует вероятность следового загрязнения свинцом.
- Не использовать 1,1,1-трихлорэтан, дихлорметан или другие галогенированные углеводородные растворители в сочетании с алюминиевыми смачиваемыми материалами. Существует опасность взрыва, что может привести к серьезным травмам и материальному ущербу.
- Внутри насоса мембраны отделяют перекачиваемую жидкость от подаваемого воздуха. В случае разрыва мембраны жидкость может вытечь из системы выхлопа воздуха и загрязнить окружающую среду.
- При обращении с опасными жидкостями выхлоп воздуха всегда следует направлять в подходящую емкость, размещенную в безопасном месте. (Опциональная система соединения предоставляется по желанию заказчика. Не входит в комплект поставки устройства.)
- Если источник жидкости расположен выше насоса (работа под залив), выходной бак должен находиться на более высоком уровне по сравнению с перекачиваемым продуктом для предотвращения переливов.
- Во избежание возникновения утечек или разливов жидкостей, опасных для человека или окружающей среды, насосы для перекачивания таких жидкостей должны быть оборудованы емкостями, расположенными по окружности насоса.
- Операторы, управляющие данным оборудованием, должны быть обучены правилам эксплуатации и эксплуатационным ограничениям. Следует использовать средства защиты, такие как защитные очки или другое соответствующее оборудование.

ОПИСАНИЕ

Пневмонасосы с двойной мембраной представляют собой возвратно-поступательные насосы вытесняющего действия с пневматическим управлением и двумя рабочими камерами. Две мембраны, расположенные по центру камер, отделяют сжатый воздух (сухая сторона) от перекачиваемой жидкости (мокрая сторона). Вал передает возвратно-поступательное движение одной мембраны другой мембране. Клапан (пневмодвигатель) поочередно направляет воздух из одной камеры в другую, обеспечивая таким образом возвратно-поступательное движение мембраны. Во время каждого хода жидкость нагнетается одной из мембран, а другая мембрана всасывает новую жидкость в расширяющуюся камеру. Обратные клапаны, два на стороне нагнетания и два на стороне всасывания, контролируют и направляют поток жидкости.

МАТЕРИАЛ	ДИАПАЗОН ТЕМПЕРАТУРЫ	
ПТФЭ	5 °C - 105 °C	41 °F - 221 °F
NBR	10 °C - 80 °C	50 °F - 176 °F
Ацеталь	10 °C - 90 °C	50 °F - 194 °F
Hytrel®	10 °C - 90 °C	50 °F - 194 °F
Неопрен	-18 °C - 93 °C	0 °F - 200 °F
Santoprene®	-29 °C - 135 °C	-20 °F - 275 °F
Viton®	-10 °C - 177 °C	-4 °F - 351 °F
Полипропилен	10 °C - 80 °C	50 °F - 176 °F

2021_12_15-12:00

МОНТАЖ

РЕКОМЕНДАЦИИ ПО УСТАНОВКЕ НАСОСА

- Извлечь насос из упаковки и установить его в выбранном месте.
- Принять все меры к снижению высоты всасывания насоса до минимума. Установить насос как можно ближе к источнику перекачиваемой жидкости.
- Обеспечить достаточное свободное пространство вокруг насоса для проведения технического обслуживания.
- Убедиться, что впуск и выпуск насоса подключены правильно.
- В случае отказа мембранного насоса выхлопной воздух будет вытеснять перекачиваемый продукт.
- Если насос установлен так, что утечка жидкости может оказать отрицательное воздействие на окружающую среду, выхлоп следует направить в место, где утечку можно локализовать в какой-либо емкости.
- При установке насоса на положенное место закрепить его основание с помощью кронштейнов.
- Затянуть все болты до моментов затяжки, указанных в этом руководстве.

УСТАНОВКА НАСОСОВ DP ЛЕГКО КОНФИГУРИРУЕТСЯ В ТОМ ЧИСЛЕ ДЛЯ

РАБОТЫ ПОД ЗАЛИВ:

Особенностью системы нагнетания является положительное давление на входе. Такая установка более всего подходит для перекачивания жидкостей из бочек или емкостей, а также при работе с вязкими жидкостями. Не рекомендуется для перекачивания опасных жидкостей.

РАБОТА С САМОЗАЛИВКОЙ:

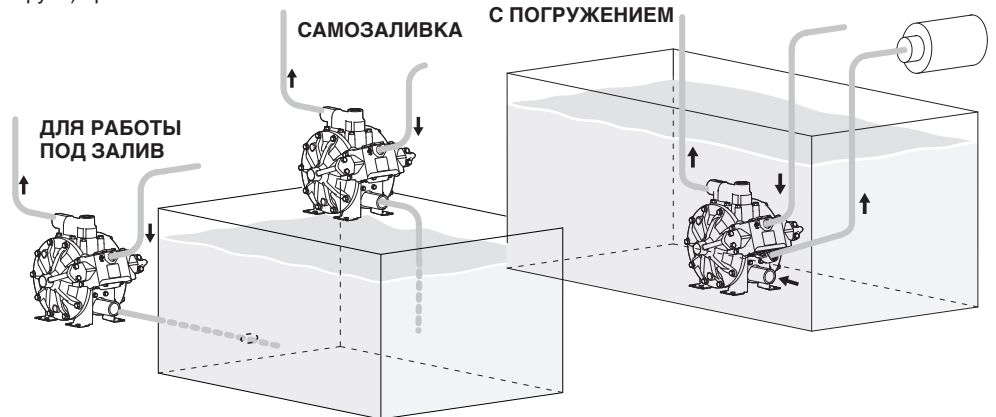
Насос предназначен для создания вакуума. Весь воздух может быть удален из шланга или трубы без повреждения насоса. Максимальная высота всасывания составляет 5 м (16,5 фута) при пустом всасывающем шланге и до 8 м (26,25 фута) при заполненном шланге.

ПРИМЕЧАНИЕ: Использовать регулятор давления с встроенным входным фильтром.

ПРИМЕЧАНИЕ: Давление подачи сжатого воздуха должно составлять от 1,5 бар (20 фунт/кв. дюйм) до 8 бар (120 фунт/кв. дюйм).

МОНТАЖ С ПОГРУЖЕНИЕМ:

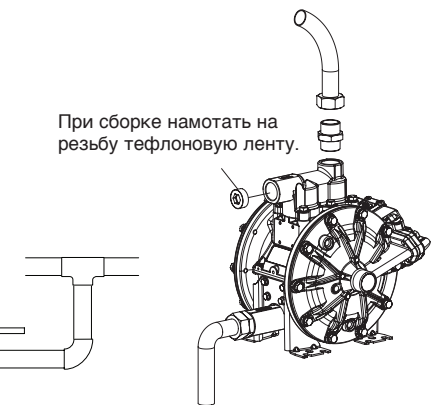
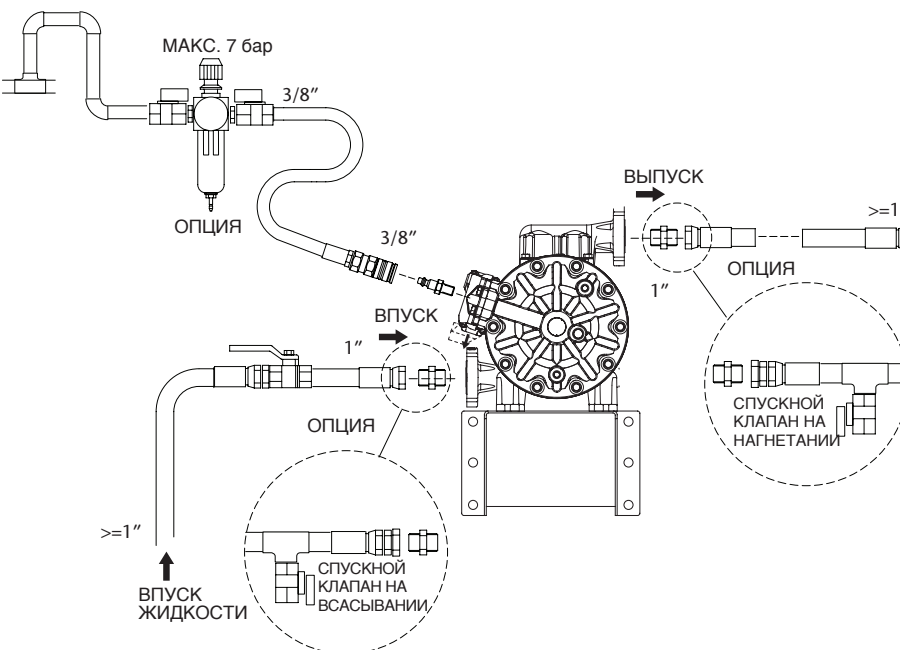
Любой насос можно установить с погружением в жидкость. перед установкой следует убедиться, что компоненты насоса и жидкость химически совместимы. в этом случае для передачи выхлопного воздуха и жидкости должны использоваться шланги (дополнительное соединение для воздуха).



РЕКОМЕНДУЕМАЯ СХЕМА УСТАНОВКИ

На рисунке ниже показана рекомендуемая конфигурация установки мембранного насоса. До начала монтажа следует ознакомиться с предупреждениями и указаниями, приведенными на предыдущей странице.

МЕТАЛЛИЧЕСКИЙ



ПРИМЕЧАНИЕ: Чтобы использовать верхнее соединение насоса, снять заглушку и установить выпускной шланг с помощью соединителя, соответствующего резьбе насоса. Стандартное выпускное отверстие насоса закрывается заглушкой, которую перед установкой следует обмотать тефлоновой лентой.

(*) Верхнее и нижнее соединения на насосе предназначаются для манифольдов из нержавеющей стали; они могут быть предусмотрены только по специальному запросу (в случае необходимости следует обратиться в компанию Samoa Industrial, S. A. или к местному дистрибьютору).

2021_12_15-12:00

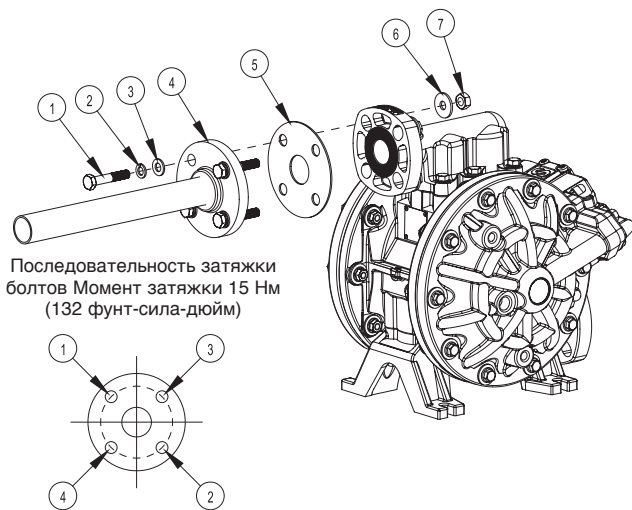
ПРЕДУПРЕЖДЕНИЯ И МЕРЫ ПРЕДОСТОРОЖНОСТИ

РЕКОМЕНДУЕМАЯ СХЕМА УСТАНОВКИ

На рисунке ниже показана рекомендуемая конфигурация установки мембранного насоса.

До начала монтажа следует ознакомиться с предупреждениями и указаниями, приведенными на предыдущей странице.

НЕМЕТАЛЛИЧЕСКИЙ

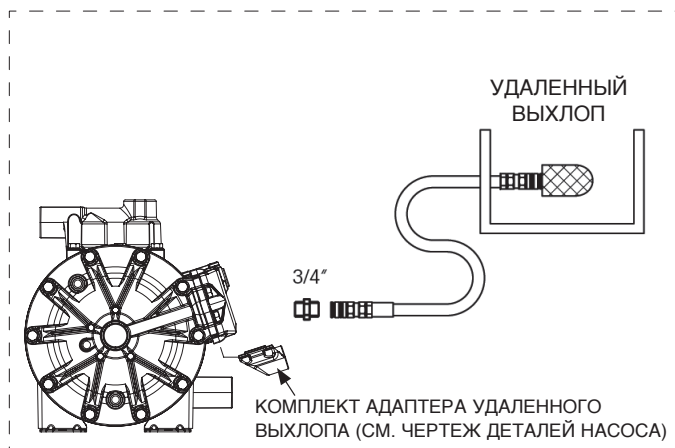


Поз	НАИМЕНОВАНИЕ	Кол.
1	Болт	4
2	Пружинная конtringающая шайба	4
3	Плоская шайба	4
4	Стандартный трубный фланец	1
5	Прокладка	1
6	Плоская шайба	4
7	Гайка	4


УДАЛЕНИЕ ВЫХЛОПНОГО ВОЗДУХА

ОСТОРОЖНО

- Для оснащения системой удаленного выхлопа необходим дополнительный комплект.
- Отвинтить 4 болта и снять стандартный глушитель (поз. 1-10, поз. 1-12 на чертеже деталей насоса).
- Установить адаптер удаленного выхлопа (поз. 1-41) (на корпус адаптера следует установить уплотнительное кольцо (1-40), входящее в комплект адаптера). Прикрутить четыре ранее снятых болта (поз. 1-42).
- Подсоединить к новому выпускному отверстию шланг и установить на конец шланга глушитель. Шланг должен иметь тот же диаметр, что и выпускное отверстие 3/4" NPT. Если шланг имеет длину более 1,5 м (5 футов), следует проконсультироваться с местным дистрибьютором или обратиться в компанию Samoa Industrial, S.A.
- Конец шланга должен быть снабжен защитным кожухом или аналогичным средством.



СОЕДИНЕНИЕ С ПНЕВМОПРОВОДОМ

-  **ОСТОРОЖНО:** обеспечения достаточной подачи воздуха в насос диаметр трубы должен быть равен диаметру впускного отверстия насоса. Необходимо выбрать вспомогательное оборудование для подготовки воздуха с соответствующими фитингами, которое бы обеспечивало расход воздуха, превышающий потребление воздуха насосом. Кроме того, периферийное оборудование для подготовки воздуха должно быть установлено как можно ближе к насосной установке. Использование соединительной муфты для подключения шлангов облегчает решение задач эксплуатации и технического обслуживания.

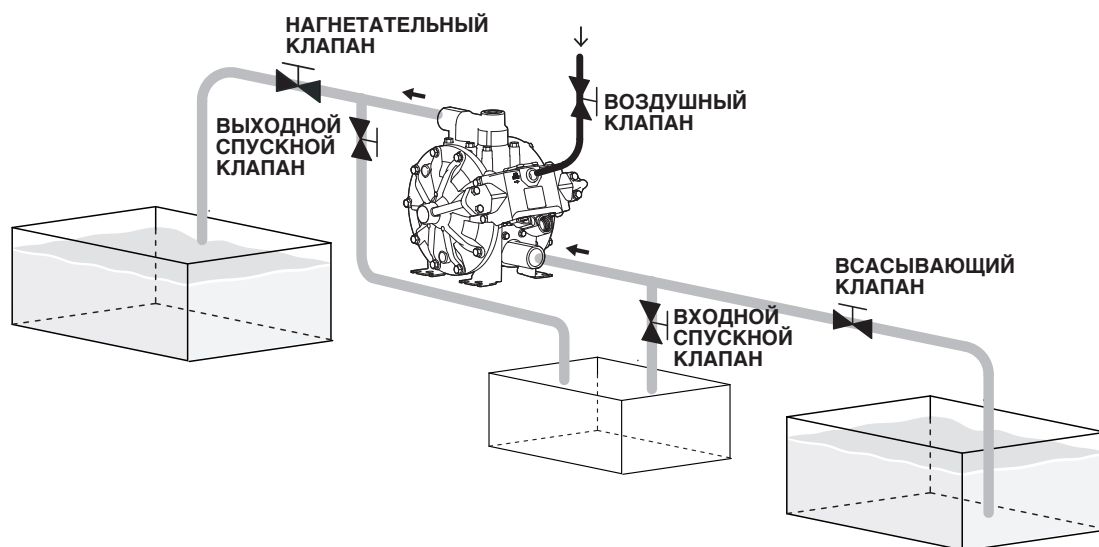
2021_12_15-12:00

САМОЗАЛИВАЮЩИЙСЯ НАСОС

Для первой заливки необходимо подсоединить насос к источнику воздуха низкого давления. При этом должны использоваться регуляторы давления, а выпускной клапан должен оставаться открытым. Заливка насоса будет закончена, когда жидкость начнет выходить из выпускного отверстия насоса. Для регулирования давления жидкости в устройство должен подаваться воздух под давлением от 1,5 до 8 бар (от 20 до 120 фунт/кв. дюйм). Подача регулируется с помощью нагнетательного клапана на напорной стороне насоса. Для определения рабочих характеристик насоса использовать кривые производительности.

ОСТАНОВ НАСОСА ДЛЯ ТЕХНИЧЕСКОГО ОБСЛУЖИВАНИЯ

- Отключить подачу воздуха.
- Убедиться, что воздушный клапан закрыт.
- Закрыть нагнетательный и всасывающий клапаны. Открыть спускные клапаны на входе и выходе насоса.
- Открыть воздушный клапан насоса, включить насос и удалить оставшуюся жидкость.
- Закрыть воздушный клапан.
- Убедиться, что насос выключен и давление в нем сброшено. Насос готов к техническому обслуживанию.



ЗАЗЕМЛЕНИЕ НАСОСА

При монтаже насоса обязательно установить заземление в положенном месте.

Также предусмотреть провода заземления для вспомогательного оборудования и трубопроводов.

Использовать заземляющий провод как минимум 12-го калибра (сечение 2,0 мм²).

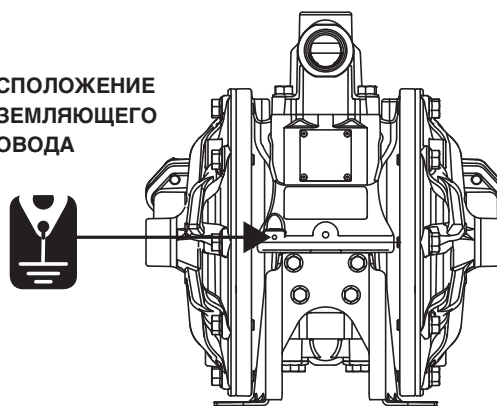
Если приобретен насос по стандарту ATEX, к нему будет прилагаться соответствующее руководство, с которым следует ознакомиться перед эксплуатацией насоса.

Если на агрегате имеется маркировка Ex его можно использовать в потенциально взрывоопасной среде. Под этим символом на паспортной табличке насоса указаны зоны, для применения в которых оборудование одобрено. На табличке также указана максимально допустимая температура поверхности.

**ОСТОРОЖНО!**

Подключить провода заземления к насосу, трубопроводам и другому оборудованию.

Если насос не заземлен или заземление выполнено неправильно, в результате трения деталей друг о друга и абразивного действия некоторых жидкостей, протекающих через насос, может возникнуть статическое электричество. Более того, в зависимости от типа жидкостного насоса и особенностей среды, в которой установлен насос (к ним относится, например, наличие газов в воздухе или характер окружающих объектов), статическое электричество может привести к возгоранию или электрическому удару.

РАСПОЛОЖЕНИЕ
ЗАЗЕМЛЯЮЩЕГО
ПРОВОДА

ПОИСК И УСТРАНЕНИЕ НЕИСПРАВНОСТЕЙ

ПРИЧИНЫ НЕИСПРАВНОСТЕЙ	РЕКОМЕНДУЕМЫЕ МЕРЫ ПО УСТРАНЕНИЮ
НАСОС НЕ РАБОТАЕТ	
Закрит нагнетательный клапан на стороне подачи.	Открыть нагнетательный клапан на стороне подачи.
Отсутствует подача воздуха.	Включить компрессор и открыть воздушный клапан и регулятор воздуха.
Низкое давление подачи воздуха.	Проверить компрессор и конфигурацию воздухопровода.
Утечка воздуха на соединениях.	Проверить соединительные элементы и затяжку винтов.
Воздухопроводы или вспомогательное оборудование забиты загрязнениями.	Проверить и очистить воздухопровод.
Выхлопное отверстие насоса (глушитель) забито загрязнениями.	Проверить и очистить выхлопное отверстие и глушитель.
Труба для жидкости забита загрязнениями.	Проверить и очистить трубопровод для жидкости.
Насос забит загрязнениями.	Снять, осмотреть и очистить корпус насоса.

НАСОС РАБОТАЕТ, НО ЖИДКОСТЬ НЕ ПОДАЕТСЯ	
Закрит всасывающий клапан.	Открыть клапан на стороне всасывания.
Слишком большая высота всасывания или нагнетания.	Проверить конфигурацию трубопровода и уменьшить его высоту.
Нагнетательный трубопровод жидкости (в том числе фильтр) забит загрязнениями.	Проверить и очистить трубопровод для жидкости.
Насос забит загрязнениями.	Разобрать, проверить и очистить насос.
Износ или повреждение шарика или седла шарика.	Осмотреть и заменить детали.

СНИЖЕНИЕ ПРОИЗВОДИТЕЛЬНОСТИ НАСОСА	
Низкое давление подачи воздуха.	Проверить компрессор и конфигурацию воздухопровода.
Воздухопровод или периферийное оборудование забиты загрязнениями.	Проверить и очистить воздухопровод.
Привод клапана на стороне нагнетания не обеспечивает нормальное открытие клапана.	Отрегулировать привод клапана на стороне нагнетания.
Воздух смешивается с жидкостью.	Пополнить жидкостью и проверить конфигурацию трубопровода на всасывании.
Кавитация.	Отрегулировать давление подачи воздуха и давление нагнетания и уменьшить всасывание.
Вибрации.	Отрегулировать давление подачи воздуха и давление нагнетания. Уменьшить расход впускного клапана, чтобы отрегулировать давление и объем жидкости.
Образование льда в системе выхлопа воздуха.	Удалить лед из перепускного воздушного клапана, проверить и очистить воздушный фильтр. Использовать трубу в канале выхлопного воздуха, чтобы предотвратить образование льда в глушителе.
Трубопровод для жидкости (в том числе фильтр) забит загрязнениями.	Проверить и очистить трубопровод для жидкости и сетчатый фильтр.
Выхлопное отверстие насоса (глушитель) забито загрязнениями.	Проверить и очистить выхлопное отверстие и глушитель.
Насос забит загрязнениями.	Снять, осмотреть и очистить корпус насоса.

УТЕЧКА ЖИДКОСТИ ЧЕРЕЗ ПОЛОЕ ВЫХЛОПНОЕ УСТРОЙСТВО (ГЛУШИТЕЛЬ)	
Повреждение мембраны.	Снять и осмотреть насос. Заменить мембрану.

НЕОБЫЧНЫЙ ШУМ	
Чрезмерно высокое давление подачи воздуха.	Отрегулировать давление подачи воздуха.
Насос забит частицами осадка недопустимого диаметра.	Снять, проверить и очистить корпус насоса.

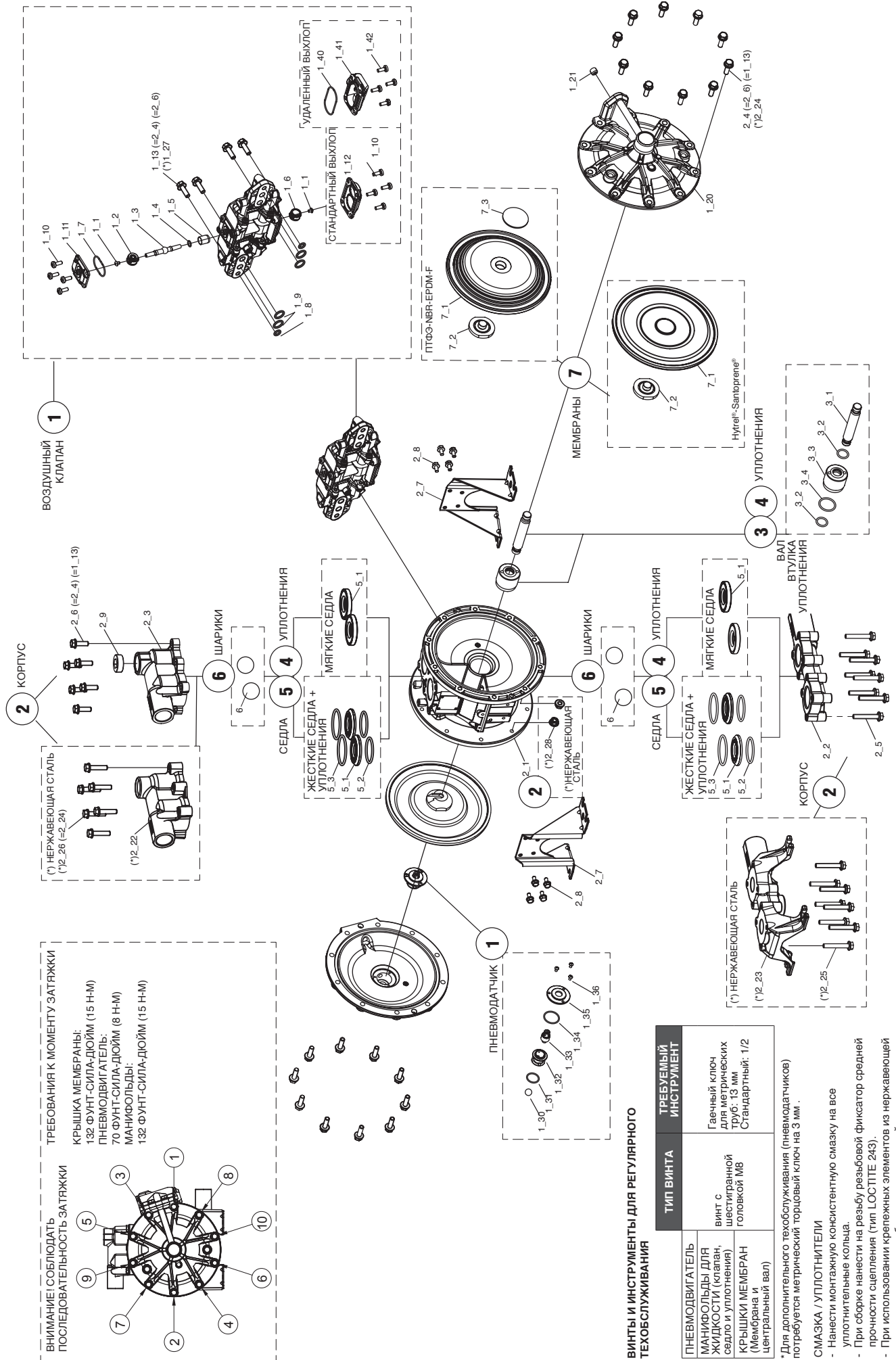
НЕОБЫЧНАЯ ВИБРАЦИЯ	
Ослабление соединительных элементов и опоры насоса.	Осмотреть все соединительные элементы и затянуть винты.
Чрезмерно высокое давление подачи воздуха.	Отрегулировать давление подачи воздуха.
Колебания давления и вибрация шарикового клапана.	Отрегулировать давление подачи воздуха и давление выхлопа.

ПУЗЫРЬКИ ВОЗДУХА В ПОСТУПАЮЩЕЙ ЖИДКОСТИ	
Повреждение мембраны.	Заменить мембрану.
Ослабление соединения или разрыв всасывающего шланга.	Затянуть соединение или заменить шланг.

ДАВЛЕНИЕ УТЕЧКИ ВОЗДУХА ПНЕВМОПРИВОДА ОТ 1,5 ДО 8 БАР (ОТ 20 ДО 120 ФУНТ/КВ. ДЮЙМ)	
Износ воздушного клапана.	Заменить воздушный клапан.

НАСОС НЕ ЗАПУСКАЕТСЯ И УТЕЧКА ВОЗДУХА ПРИ ОТСУТСТВИИ ЦИКЛИЧЕСКОЙ РАБОТЫ НАСОСА	
Нечувствительность пневмодатчика.	Заменить пневмодатчик.
Износ воздушного клапана.	Заменить воздушный клапан.

ЧЕРТЕЖ ДЕТАЛЕЙ МЕТАЛЛИЧЕСКОГО НАСОСА



ВНИМАНИЕ! СОБЛЮДАТЬ ПОСЛЕДОВАТЕЛЬНОСТЬ ЗАТЯЖКИ

ТРЕБОВАНИЯ К МОМЕНТУ ЗАТЯЖКИ

КРЫШКА МЕМБРАНЫ:
132 ФУНТ-СИЛА-ДЮЙМ (15 Н·М)

ПНЕВМОДВИГАТЕЛЬ:
70 ФУНТ-СИЛА-ДЮЙМ (8 Н·М)

МАНИФОЛДЫ:
132 ФУНТ-СИЛА-ДЮЙМ (15 Н·М)

ПНЕВМОДВИГАТЕЛЬ	ТРЕБУЕМЫЙ ИНСТРУМЕНТ
МАНИФОЛДЫ ДЛЯ ЖИДКОСТИ (копалан, седло и уплотнения)	Гаечный ключ для метрических труб: 13 мм
КРЫШКИ МЕМБРАН (Мембрана и центральный вал)	Стандартный: 1/2

* Для дополнительного техобслуживания (пневмодатчиков) потребуются метрический торцовый ключ на 3 мм.

СМАЗКА / УПЛОТНИТЕЛИ

- Нанести монтажную консистентную смазку на все уплотнительные кольца.
- При сборке нанести на резьбу резьбовой фиксатор средней прочности сцепления (тип LOCTITE 243).
- При использовании крепежных элементов из нержавеющей стали нанести на резьбу противозадирный состав.

МЕТАЛЛИЧЕСКИЙ НАСОС

DP200	X	X	X	X	X	X	X	X	X	X	X
	1	2	3	4	5	6	7	8	9		
ВОЗДУШНЫЙ КЛАПАН	КОРПУС НАСОСА	ВАЛ	УПЛОТНЕНИЯ	СЕДЛА	ШАРИКИ	МЕМБРАНЫ	СОЕДИНЕНИЯ	ОПЦИИ			
A Алюминий S нержавеющая сталь	A Алюминий S нержавеющая сталь	S нержавеющая сталь	N NBR V FKM E ЭПДМ T ПТФЭ	S нержавеющая сталь A Алюминий P Полипропилен N NBR M Santoprene® H Нуттел®	T ПТФЭ C POM S нержавеющая сталь N NBR	H Нуттел® T ПТФЭ M Santoprene® N NBR	B BSP N NPT	A Стандартный насос B С комплектом для удаленного выхлопа C Детектор утечки через мембрану D Датчик циклов E С внешним управлением посредством электромагнитного клапана (не входит в комплект) F В комплекте с шумоглушителем G С внешним управлением посредством электромагнитного клапана (не входит в комплект) и индуктивными датчиками приближения с NPN-выходом (входит в комплект) I С внешним управлением посредством электромагнитного клапана (не входит в комплект) и индуктивными датчиками приближения по стандарту ATEX-Naipg (входит в комплект) U Насос, пригодный для сверхвязких жидкостей			

1	ВОЗДУШНЫЙ КЛАПАН	ВОЗДУШНЫЙ КЛАПАН	УДАЛЕННЫЙ ВЫХОП
A	ПОЗ. 1_1 to 1_13 558525	ПНЕВМОДАТЧИК ПОЗ. 1_30 to 1_36 558527	ПОЗ. 1_40 to 1_42 558562

2	ЦЕНТРАЛЬНЫЙ КОРПУС	ВПУСКНОЙ МАНИФОЛД	ВЫПУСКНОЙ МАНИФОЛД
A	ПОЗ. 2_1 755123.001	РЕЗЬБА BSP 755126.001	РЕЗЬБА BSP 755125.301
S	855052	855054-300	855053-300

3	УПЛОТНЕНИЯ	КОД КОМПЛЕКТА	РЕМКОМПЛЕКТ ВАЛА
S	V	558556	ЦИФРОВОЕ КОДОВОЕ ОБОЗНАЧЕНИЕ 55XXXX
S	E	558557	-
S	T	558566	-
S	N	558554	555010/555030

4	УПЛОТНЕНИЯ	КОД КОМПЛЕКТА	РЕМКОМПЛЕКТ ДЛЯ СЕДЕЛ КЛАПАНОВ
A	N	558539	ЦИФРОВОЕ КОДОВОЕ ОБОЗНАЧЕНИЕ 55XXXX
A	V	558540	-
A	E	558541	-
A	T	558542	-
S	T	558551	-
N	N	558535	555030
H	H	558552	555010
M	M	558553	-

6	КОД КОМПЛЕКТА	РЕМКОМПЛЕКТ ШАРИКОВОГО КЛАПАНА
T	558529	ЦИФРОВОЕ КОДОВОЕ ОБОЗНАЧЕНИЕ 55XXXX
C	558528	-
S	558530	555010/555030
N	558531	-

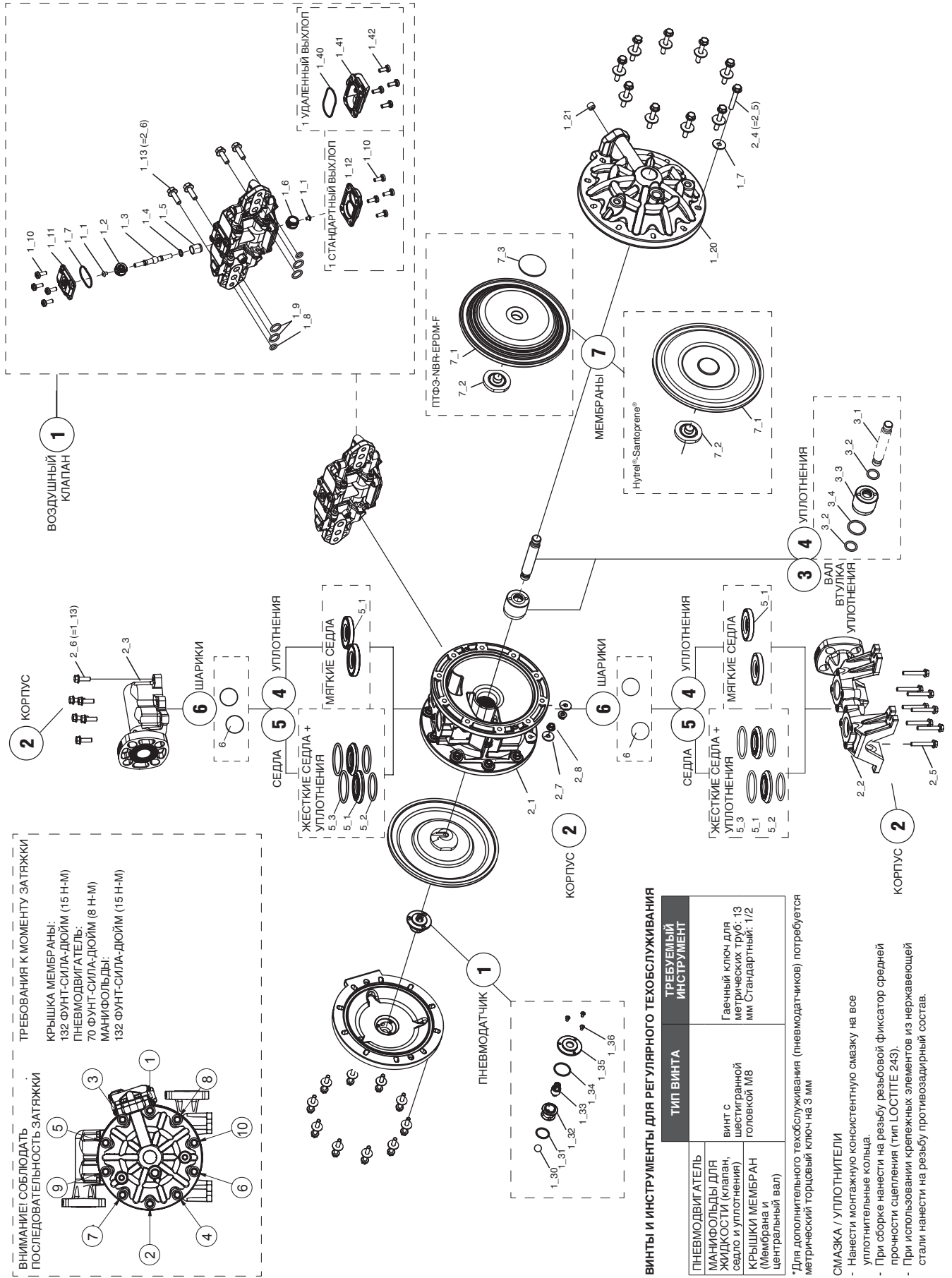
7	КОД КОМПЛЕКТА	МЕМБРАНЫ
H	558521	ЦИФРОВОЕ КОДОВОЕ ОБОЗНАЧЕНИЕ 55XXXX
M	558523	555010
N	558561	-
T	558522	555030

ТАБЛИЧКА С ТЕХНИЧЕСКИМИ ХАРАКТЕРИСТИКАМИ



МОДЕЛЬ:
55XXXX (цифровое кодовое обозначение)
DP200XXXXXXX (буквенно-цифровое кодовое обозначение)

ЧЕРТЁЖ НЕМЕТАЛЛИЧЕСКИХ ДЕТАЛЕЙ НАСОСА



ВНИМАНИЕ! СОБЛЮДАТЬ ПОСЛЕДОВАТЕЛЬНОСТЬ ЗАТЯЖКИ

ТРЕБОВАНИЯ К МОМЕНТУ ЗАТЯЖКИ

КРЫШКА МЕМБРАНЫ:
132 ФУНТ-СИЛА-ДЮЙМ (15 Н·М)

ПНЕВМОДВИГАТЕЛЬ:
70 ФУНТ-СИЛА-ДЮЙМ (8 Н·М)

МАНИФОЛДЫ:
132 ФУНТ-СИЛА-ДЮЙМ (15 Н·М)

ВИНТЫ И ИНСТРУМЕНТЫ ДЛЯ РЕГУЛЯРНОГО ТЕХОБСЛУЖИВАНИЯ

ПНЕВМОДВИГАТЕЛЬ	ТРЕБУЕМЫЙ ИНСТРУМЕНТ
МАНИФОЛДЫ ДЛЯ ЖИДКОСТИ (клапан, седло и уплотнения)	Гаечный ключ для метрических труб: 13 мм
КРЫШКИ МЕМБРАН (Мембрана и центральный вал)	Шестигранной головкой М8

*Для дополнительного технического обслуживания (пневмодатчик) требуется метрический торцовый ключ на 3 мм

СМАЗКА / УПЛОТНИТЕЛИ

- Нанести монтажную консистентную смазку на все уплотнительные кольца.
- При сборке нанести на резьбу резьбовой фиксатор оредней прочности сцепления (тип LOCTITE 249).
- При использовании крепежных элементов из нержавеющей стали нанести на резьбу противозадирный состав.

НЕМЕТАЛЛИЧЕСКИЙ НАСОС

DP200	X	X	X	X	X	X	X	X	X	X	X	X
-------	---	---	---	---	---	---	---	---	---	---	---	---

1	ВОЗДУШНЫЙ КЛАПАН Р Полипропилен	КОРПУС НАСОСА Р Полипропилен В Проводящий ПП W ПВХДФ	ВАЛ S нержавеющая сталь Y Hastelloy® C	УПЛОТНЕНИЯ N NBR V FKM E ЭПДМ T ППФЭ	СЕДЛА P Полипропилен C сталь S РПОМ W ПВХДФ M Santoprene® N Hytrel®	ШАРИКИ T ППФЭ C ПОМ S нержавеющая сталь N NBR	МЕМБРАНЫ H Hytrel® T ППФЭ M Santoprene® N NBR	СОЕДИНЕНИЯ F Фланец	ОПЦИИ A Стандартный насос B С комплектом для удаленного выхлопа С Детектор утечки через мембрану D Датчик циклов E С внешним управлением посредством электромагнитного клапана (не входит в комплект) F В комплекте с шумоглушителем G С внешним управлением посредством электромагнитного клапана (не входит в комплект) и индуктивными датчиками приближения с NPN-выходом (входит в комплект) I С внешним управлением посредством электромагнитного клапана (не входит в комплект) и индуктивными датчиками приближения по стандарту ATEX-NaPic (входит в комплект) U Насос, пригодный для сверхвязких жидкостей
----------	---	--	---	---	--	--	--	-------------------------------	---

1	ВОЗДУШНЫЙ КЛАПАН ПОЗ. 1_1 а 1_13	ВОЗДУШНЫЙ КЛАПАН ПНЕМОДАТЧИК ПОЗ. 1_30 а 1_36	УДАЛЕННЫЙ ВЫХЛОП ПОЗ. 1_40 а 1_42
P	558525	558527	558562

2	ЦЕНТРАЛЬНЫЙ КОРПУС ПОЗ. 2_1	ЦЕНТРАЛЬНЫЙ КОРПУС И МАНИФОЛЬД ВПУСКНОЙ МАНИФОЛЬД ПОЗ. 2_2	ВЫПУСКНОЙ МАНИФОЛЬД ПОЗ. 2_3
P	755552	896642	755560
B	755553	896643	894637
W	755556	896646	755561

3	ВАЛ	КОД КОМПЛЕКТА	РЕМКОМПЛЕКТ ВАЛА ЦИФРОВОЕ КОДОВОЕ ОБОЗНАЧЕНИЕ 55XXXX
S	НАСОС СТАНДАРТА АТЕХ	558556	-
S	НАСОС СТАНДАРТА АТЕХ	558555	555164
S	558557	558558	-
Y	558566	558560	-

4	УПЛОТНЕНИЯ	КОД КОМПЛЕКТА	РЕМКОМПЛЕКТ ВАЛА ЦИФРОВОЕ КОДОВОЕ ОБОЗНАЧЕНИЕ 55XXXX
V	558544	558544	555164
E	558545	558545	-
T	558546	558546	-
V	558536	558536	-
E	558537	558537	-
T	558538	558538	-
W	558548	558548	-
H	558552	558552	-
M	558553	558553	-

6	РЕМКОМПЛЕКТ ШАРИКОВОГО КЛАПАНА
Т	ЦИФРОВОЕ КОДОВОЕ ОБОЗНАЧЕНИЕ 55XXXX
C	558529
S	558528
N	558530
N	558531

7	МЕМБРАНЫ
Н	ЦИФРОВОЕ КОДОВОЕ ОБОЗНАЧЕНИЕ 55XXXX
М	558521
Н	558523
Т	558561
Т	(1) 558522
Т	(2) 558567

(1) Для насоса с центральным валом из нержавеющей стали.
(2) Для насоса с центральным валом из сплава Hastelloy® C.

ТАБЛИЧКА С ТЕХНИЧЕСКИМИ ХАРАКТЕРИСТИКАМИ



МОДЕЛЬ:
55XXXX (цифровое кодовое обозначение)
DP200XXXXXXX (буквенно-цифровое кодовое обозначение)

МОМЕНТЫ ЗАТЯЖКИ, НЕОБХОДИМЫЕ ДЛЯ ПРАВИЛЬНОГО ФУНКЦИОНИРОВАНИЯ НАСОСА

Для правильной работы насоса и предотвращения аварий, которые могут повредить оборудование, а при самом неблагоприятном исходе - причинить вред здоровью людей, требуется периодически проверять затяжку мембранных крышек и НАПРАВЛЯЮЩЕГО РАСПРЕДЕЛИТЕЛЯ (ПНЕВМОДВИГАТЕЛЯ). Соответствующие моменты затяжки указаны в следующей таблице:

МОМЕНТЫ ЗАТЯЖКИ DP200	Крышка мембраны	132 фунт-сила-дюйм (15 Н·м)
	Пневмодвигатель	70 фунт-сила-дюйм (8 Н·м)
	Манифольды	132 фунт-сила-дюйм (15 Н·м)

⚠ ВНИМАНИЕ!: НЕ ЗАТЯГИВАТЬ КРЕПЕЖ СЛИШКОМ СИЛЬНО.

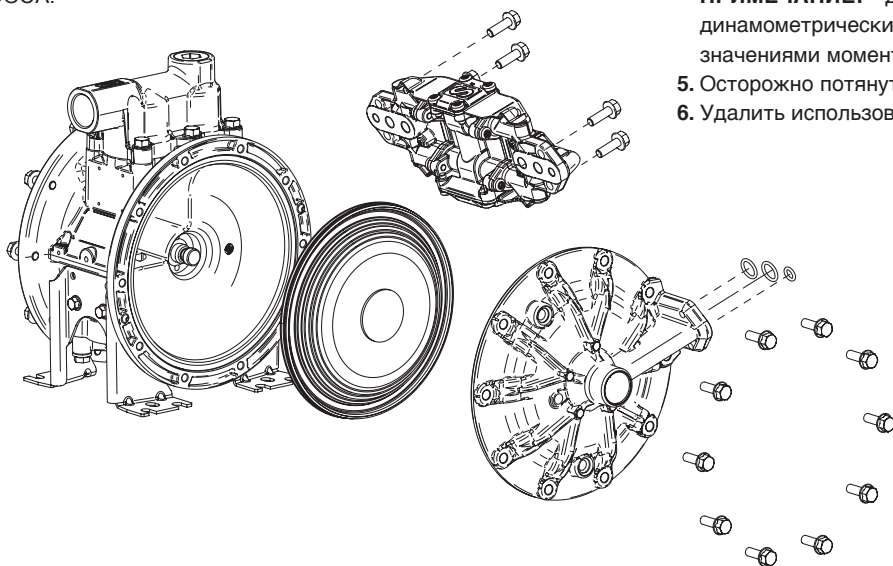
ТЕХОБСЛУЖИВАНИЕ МЕМБРАН

Перед любым вмешательством в оборудование: ОТКЛЮЧИТЬ ПОДАЧУ ВОЗДУХА В НАСОС.
НЕ ТРЕБУЕТСЯ СНИМАТЬ НАСОС С ТРУБОПРОВОДА ДЛЯ ЖИДКОСТИ.

УЧИТЫВАТЬ ВОЗМОЖНОСТЬ УТЕЧКИ ЖИДКОСТИ ВНУТРИ НАСОСА.

СНЯТИЕ МЕМБРАН:

1. Закрыть клапаны на впуске и нагнетании жидкости.
 2. Слить жидкость, находящуюся внутри насоса.
 3. Снять пневмодвигатель, соблюдая осторожность, чтобы не повредить уплотнения между воздушным клапаном и мембраной.
 4. Снять винты крышки мембраны.
- ПРИМЕЧАНИЕ:** Для затяжки этих винтов использовать динамометрический ключ, откалиброванный в соответствии со значениями момента, указанными в таблице на этой странице.
5. Осторожно потянуть крышку назад и снять ее.
 6. Удалить использованные мембраны.



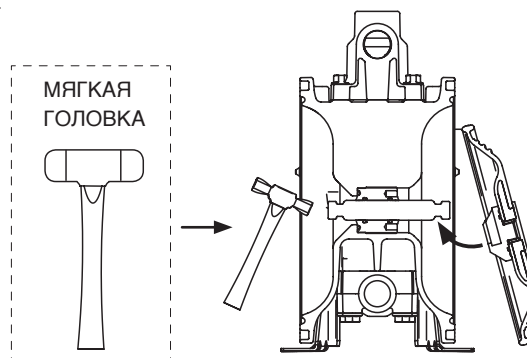
ПРИМЕЧАНИЕ: Соблюдать осторожность, чтобы не потерять уплотнения, установленные между клапаном и крышкой мембраны.

УСТАНОВКА НОВЫХ МЕМБРАН – ПОРЯДОК СБОРКИ

⚠ ВНИМАНИЕ: Необходимо соблюдать следующий порядок сборки, чтобы обеспечить правильную установку мембран. В противном случае валик мембраны может быть выдавлен из корпуса, что приведет к его повреждению и, как следствие, к утечке жидкости или преждевременному разрушению мембраны.

1. ПОДГОТОВКА ЦЕНТРАЛЬНОГО ВАЛА К УСТАНОВКЕ МЕМБРАНЫ

При помощи молотка с мягкой головкой выдвинуть центральный вал из корпуса на расстояние, достаточное для того, чтобы установить мембрану, не деформируя ее. Перед установкой мембраны необходимо надлежащим образом расположить центральный вал. В противном случае валик мембраны может быть поврежден при установке мембранной крышки.



⚠ ВНИМАНИЕ!



1. Мембрана установлена правильно перед установкой мембранной крышки.



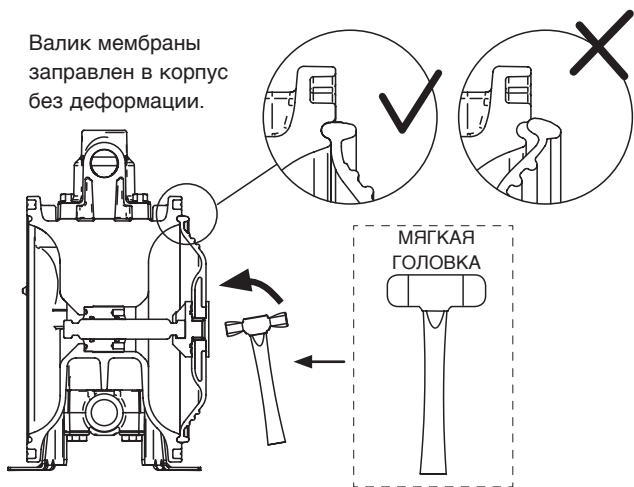
2. Неправильно установленная мембрана. Возможно повреждение мембраны при установке крышки.

2021_12_15-12:00

РЕМОНТ И ТЕХНИЧЕСКОЕ ОБСЛУЖИВАНИЕ

2. РОВНАЯ УСТАНОВКА ПЕРВОЙ МЕМБРАНЫ

При помощи молотка с мягкой головкой заправить валик мембраны в корпус, соблюдая осторожность, чтобы не допустить деформации валика.

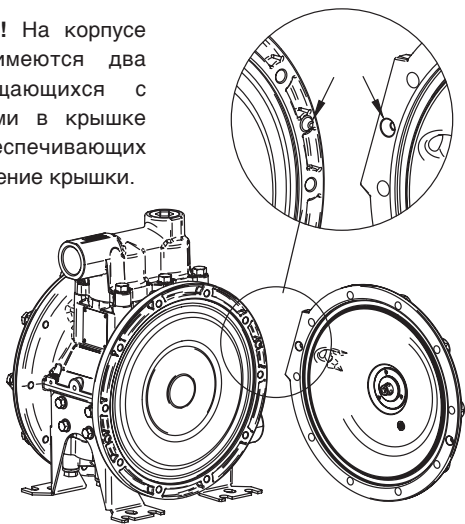


3. УСТАНОВКА КРЫШКИ МЕМБРАНЫ

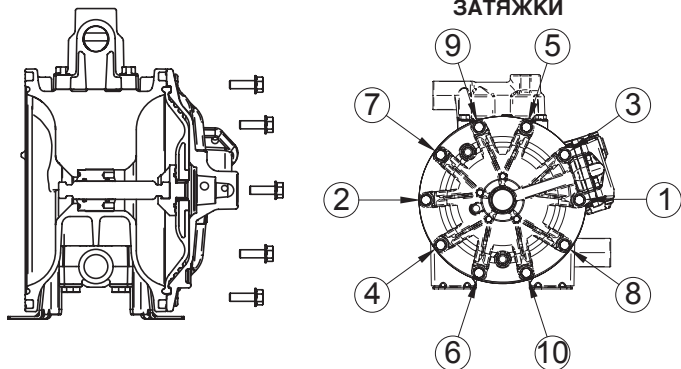
Разместить крышку мембраны и, затягивая болты с соблюдением правильной последовательности затяжки (см. ниже), приблизить крышку к мембране.

Приблизив крышку к мембране, затянуть болты с моментом 132 фунт-сила-дюйм (15 Н·м).

⚠ СВНИМАНИЕ! На корпусе насоса DP200 имеются два выступа, совмещающихся с двумя отверстиями в крышке мембраны и обеспечивающих правильное положение крышки.

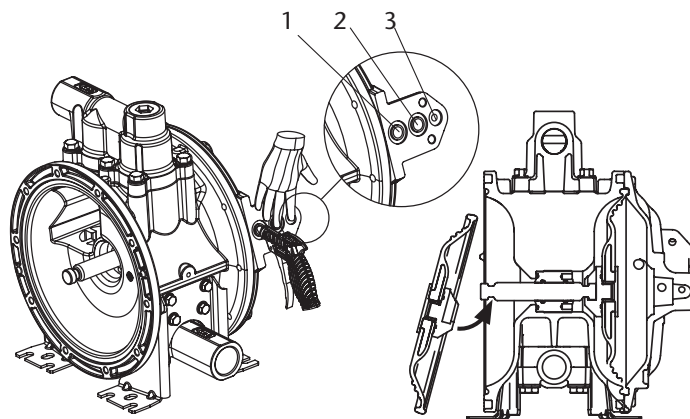


ПОСЛЕДОВАТЕЛЬНОСТЬ ЗАТЯЖКИ



4. ВЫСВОБОЖДЕНИЕ ЦЕНТРАЛЬНОГО ВАЛА ДЛЯ РОВНОЙ УСТАНОВКИ ВТОРОЙ МЕМБРАНЫ

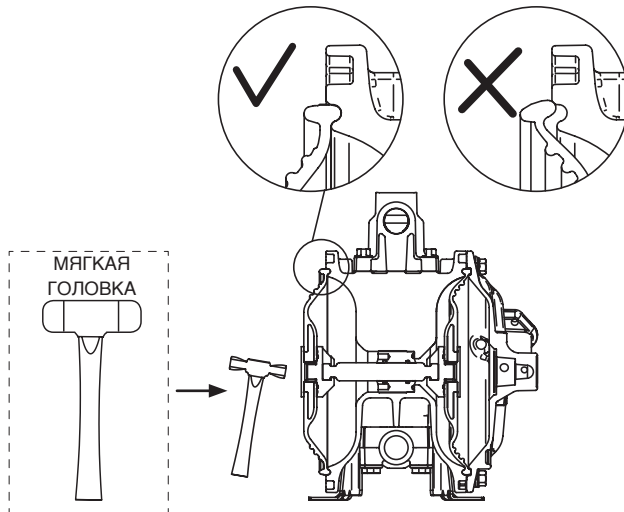
При помощи пневматического пистолета с максимальным давлением воздуха 1 бар (15 фунт/кв. дюйм) нагнетать воздух в воздушную полость крышки мембраны через отверстие 1, одновременно закрывая отверстия 2 и 3. Сжатый воздух вытолкнет центральный вал, что позволит установить мембрану без деформации.



При подаче сжатого воздуха в отверстие 1 с одновременным закрытием отверстий 2 и 3 воздух поступает в полость, вытесняя центральный вал и позволяя установить мембрану.

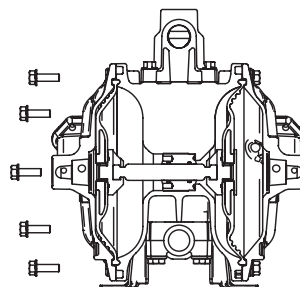
5. РОВНАЯ УСТАНОВКА ВТОРОЙ МЕМБРАНЫ

Установить вторую мембрану и вновь при помощи молотка с мягкой головкой заправить валик мембраны в корпус, соблюдая осторожность, чтобы не допустить деформации валика.



6. УСТАНОВКА КРЫШКИ ВТОРОЙ МЕМБРАНЫ

Использовать тот же порядок установки, что и для крышки первой мембраны (см. пункт 3).

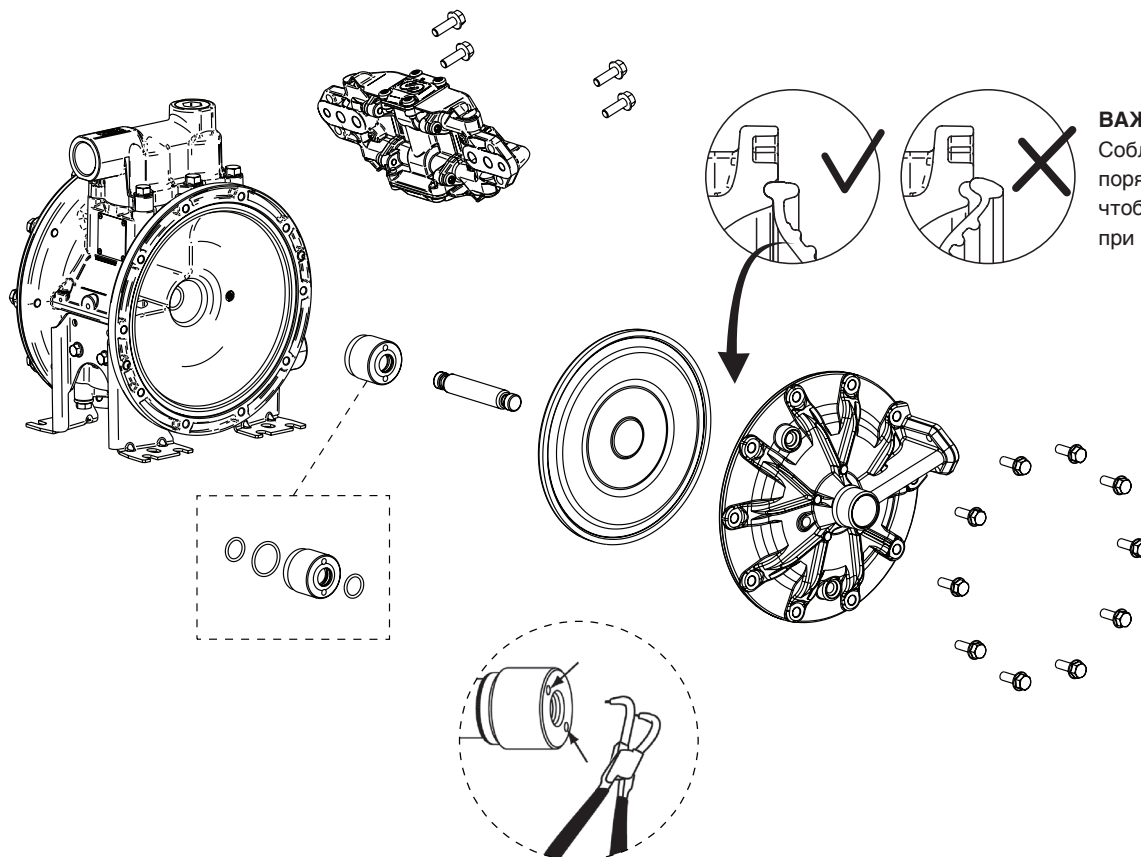


2021_12_15-12:00

ТЕХОБСЛУЖИВАНИЕ ВАЛА/ЦЕНТРАЛЬНОЙ ВТУЛКИ И УПЛОТНЕНИЯ

ПРИМЕЧАНИЕ: Центральный вал расположен между мембранами насоса.

1. Снять крышку мембраны с правой стороны (сторона с маркировочной табличкой), как показано на рисунке, в соответствии с процедурой «Замена мембран».
 2. Потянув за конец вала, извлечь вал из корпуса. В корпус ввинчена тефлоновая втулка. При снятии втулки использовать клещи для стопорных колец. Вставить губки клещей в два отверстия, изображенных на рисунке, и снять втулку.
 3. После снятия втулки извлечь уплотнительное кольцо из корпуса насоса.
 4. Заменить комплект деталей, следуя порядку, указанному на сборочном чертеже. Уплотнительное кольцо между корпусом и втулкой может упасть во время установки. Нанести монтажную консистентную смазку, чтобы прикрепить кольцо к втулке во время привинчивания.
- Выполнить сборку насоса в обратном порядке.



ВАЖНО:
Соблюдать указанный порядок обслуживания, чтобы не повредить мембрану при сборке.

РЕМОНТ И ТЕХНИЧЕСКОЕ ОБСЛУЖИВАНИЕ

ТЕХОБСЛУЖИВАНИЕ ШАРИКОВЫХ КЛАПАНОВ И СЕДЕЛ

1. Закрыть клапаны для жидкости.
2. Слить жидкость, находящуюся внутри насоса. Учитывать возможность утечки жидкости из внутренней части насоса.
3. Снять впускной и выпускной манифольды. Обратит внимание на их ориентацию, чтобы не допустить ошибки при сборке.
4. Установить новый комплект клапанов или седел в соответствии с приведенными сборочными чертежами. Затянуть болты манифольдов с максимальным моментом 132 фунт-сила-дюйм (15 Н·м).

ВАЖНО: Не следует сразу затягивать болты до конца. Рекомендуется их сначала закрепить с небольшим усилием, соблюдая требуемую последовательность затяжки.

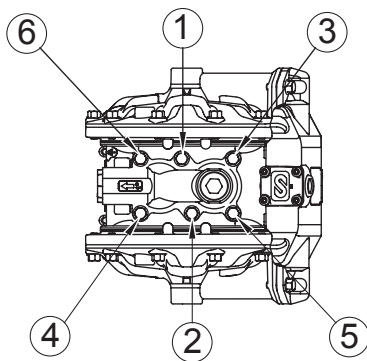
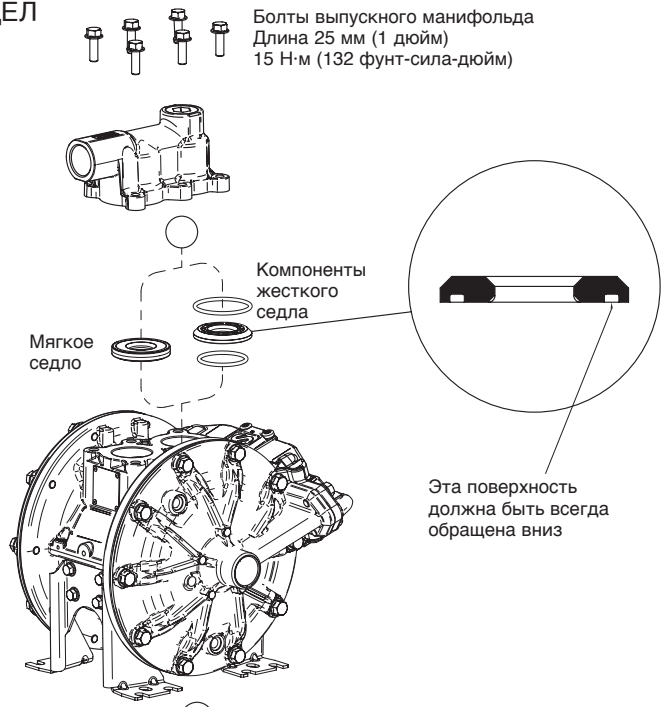
5. При сборке пневмодвигателя соблюдать осторожность, чтобы не повредить уплотнительные кольца. Затягивать винты до максимального момента 70 фунт-сила-дюйм (8 Н·м).

⚠ ВНИМАНИЕ!

МЕРЫ ПРЕДОСТОРОЖНОСТИ ПРИ ИСПОЛЬЗОВАНИИ УПЛОТНЕНИЙ ТРУБ

Затяжку крепежа манифольда насосов DP200 с уплотнительным кольцом из ПТФЭ (Teflon®) следует выполнять в указанной последовательности.

Сначала необходимо затянуть болты (1) и (2), чтобы не повредить манифольд и уплотнения.

Болты выпускного манифольда
Длина 25 мм (1 дюйм)
15 Н·м (132 фунт-сила-дюйм)

Компоненты жесткого седла

Мягкое седло

Эта поверхность должна быть всегда обращена вниз



Болты впускного манифольда
Длина 50 мм (1,96 дюйма)
15 Н·м (132 фунт-сила-дюйм)

ВАЖНО: при выполнении технического обслуживания насоса, требующего разборки коллектора, если насос оснащен уплотнительными кольцами из PTFE (белый цвет), их необходимо заменить новыми, чтобы избежать протечки жидкости.

ВАЖНО: Мягкие седла (NBR, Hytrel® и Santoprene®) являются симметричными и не требуют дополнительных уплотнений.

В жестких седлах (ПП, ПОМ, ПВХДФ, алюминий, нержавеющая сталь) используются дополнительные уплотнительные кольца. Положение седла при сборке см. на чертеже. Уплотнительное кольцо большего диаметра устанавливается на верхней поверхности седла, а кольцо меньшего диаметра – на нижней.

Шарики должны всегда устанавливаться на верхнюю сторону седла.

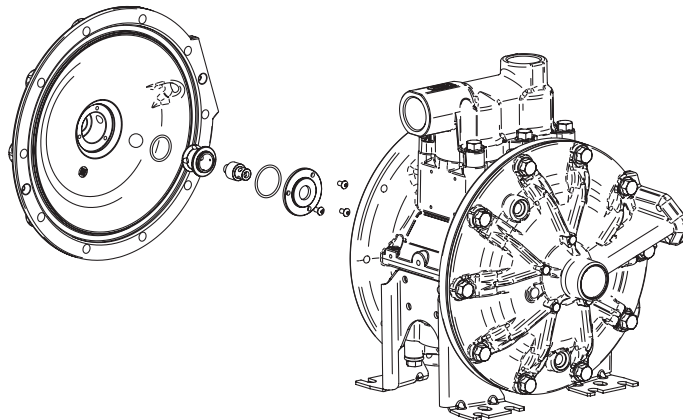
2021_12_15-12:00

ТЕХОБСЛУЖИВАНИЕ ПНЕВМОДАТЧИКА

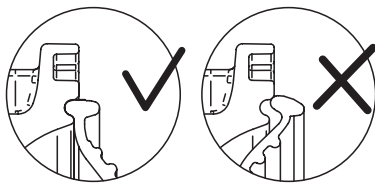
Пневмодатчики находятся на внутренней стороне мембранных крышек. Для доступа к ним следует выполнить действия, предусмотренные процедурой «Замена мембран».

После снятия крышки необходимо:

1. Отвинтить три винта, при помощи которых пневмодатчик крепится к крышке.
2. Снять все компоненты датчика. Очистить место установки датчика.
3. Собрать новые компоненты в указанном порядке.
4. Установить остальные компоненты в обратной последовательности. Установить боковую крышку и затянуть винты.



КОМПЛЕКТ ПНЕВМОДАТЧИКА: 558527

**ВАЖНО:**

Соблюдать указанный порядок обслуживания, чтобы не повредить мембрану при сборке.

Area with horizontal dotted lines for writing notes.

2021_12_15-12:00

EC CONFORMITY DECLARATION / DECLARATION CE DE CONFORMIDAD / DÉCLARATION CE DE CONFORMITÉ / EG-KONFORMITÄTSERLÄRUNG / DECLARAÇÃO DE CONFORMIDADE DA CE

EN

SAMOA INDUSTRIAL, S.A., Pol. Ind. Porceyo, I-14 · Camino del Fontán, 831 · 33392 - Gijón - Spain, declares that the product(s):

555XXX

conform(s) with the EU Directive(s):

2006/42/EC

FR

SAMOA INDUSTRIAL, S.A., Pol. Ind. Porceyo, I-14 · Camino del Fontán, 831 · 33392 - Gijón - Espagne, déclare que le(s) produit(s):

555XXX

est (sont) conforme(s) à la (aux) directive(s) de l'UE:

2006/42/EG

PT

SAMOA INDUSTRIAL, S.A., Pol. Ind. Porceyo, I-14 · Camino del Fontán, 831 · 33392 - Gijón - Espanha, declara que o produto:

555XXX

cumpra as diretrizes da União Europeia:

2006/42/CE

ES

SAMOA INDUSTRIAL, S.A., Pol. Ind. Porceyo, I-14 · Camino del Fontán, 831 · 33392 - Gijón - España, declara que el(los) producto(s):

555XXX

cumple(n) con la(s) Directiva(s) de la Unión Europea:

2006/42/CE

DE

SAMOA INDUSTRIAL, S.A., Pol. Ind. Porceyo, I-14 · Camino del Fontán, 831 · 33392 - Gijón - Spanien, bestätigt hiermit, dass dieses Produkt:

555XXX

der EG-Richtlinie(n):

2006/42/EG

For SAMOA INDUSTRIAL, S.A.
Por SAMOA INDUSTRIAL, S.A.
Pour SAMOA INDUSTRIAL, S.A.
Für SAMOA INDUSTRIAL, S.A.
Por SAMOA INDUSTRIAL, S.A.
От лица компании SAMOA INDUSTRIAL, S.A.



Pedro E. Prallong Álvarez

Production Director
Director de Producción
Directeur de Production
Produktionsleiter
Diretor de Produção
Директор по производству

2021_12_15-12:00

RU

Сертификат соответствия:

ЕАЭК № RU Д-ЕС.АБ58.В.02842/20, срок действия с 12.08.2020 по 11.08.2025, выдан органом по сертификации продукции «М-ФОНД» ООО «Агентство по экспертизе и испытаниям продукции»; Адрес 125167, Россия, г. Москва, ул. Викторенко, дом 16, стр. 1. Телефон: +74951501658, e-mail: info@mfond.org. Аттестат аккредитации №РА. RU.11АБ58 от 07.04.2016 года.

Дата производства указана на маркировке изделия

Транспортировка

Изделие должно транспортироваться в заводской упаковке для защиты от повреждений и влаги.

Хранение

Изделие должно храниться запакованным, в хорошо проветриваемом и сухом помещении.

Утилизация

Выполняйте национальные правила утилизации и переработки отслужившего оборудования, упаковки и принадлежностей.

EAC