

FIRST STANDARD SETTER
FOR CHINA AODD PUMP



Air operated double diaphragm pump and parts
High quality AODD pump parts, at a better Price

Пневматические Диафрагменные Насосы и Запчасти
Оригинальное качество, Лучшие цены

Bomba neumática de doble diafragma y repuestos
Calidad original y precio competitivo



DJ Pump AIR OPERATED DOUBLE DIAPHRAGM PUMP



www.pumpfromchina.com
main@pumpfromchina.com
+86-512-8781-8678
Add: 1105, CSSD TOWER, 15 MOON BAY ROAD,
SUZHOU INDUSTRIAL PARK, JIANGSU, 215123 CHINA

www.facebook.com/pumpfromchina/

www.linkedin.com/company/pumpfromchina/

Exporter: JIANGYIN HETAI INDUSTRIES COMPANY LTD.



COMPANY PROFILE

DJ Pump specializes in R & D, production of diaphragm pump and pump parts. Headquartered in JiangSu Province, China.

DJ Pump has accumulated a wealth of scientific and technological knowledge and sales channels worldwide. Our company's Products Division has a team of excellent AODDP specialists. Over the years, we keep on improving our technical ability and the stability of our products. Based on excellent performance, reliable quality and dedicated service, DJ Pump and the products have won many professional certificates and earned great customer recognition. DJ Pump has been widely sold in North America, South America, Europe, Southeast Asia and China markets.

*** View our Company Introduction Brochure for detail. ***

CONTENTS

DJ Pump Pump List	2	DJ Pump factory tour	24
Installation Example	3	DJ pump fit Aro Series	25-26
Explanation of pump nomenclature ..	4	DJ pump DJ E5 Series	27-28
DJ Pump fit Sandpiper Series	5-16	DJ pump Surge Damper	29-30
Professional Industry Model	15-16	DJ Pump Spares	31
DJ Pump fit Wilden Series	17-23	DJ Pump accessories	32

The Pumps We can Offer

Size	Material	Sand piper	Wilden	ARO	Lithium Batteries	Mining	Food Hygienic	Gas operated
1/4"	PP		✓					
	PVDF		✓					
1/2"	PP	✓		✓				
	PVDF	✓						
	Aluminum	✓		✓		✓		
	Stainless	✓						
3/4"	PP	✓						
	PVDF	✓						
1"	PP	✓						
	PVDF	✓						
	Aluminum	✓	✓	✓		✓		✓
	Stainless	✓		✓	✓		✓	✓
	Cast Iron			✓				
1 1/2"	PP	✓			✓			
	PVDF	✓						
	Aluminum	✓	✓	✓		✓		✓
	Stainless	✓		✓	✓		✓	✓
	Cast Iron	✓						
2"	PP	✓			✓			
	PVDF	✓						
	Aluminum	✓	✓	✓		✓		✓
	Stainless	✓		✓	✓		✓	✓
	Cast Iron	✓		✓				
3"	PP							
	PVDF							
	Aluminum	✓	✓	✓		✓		✓
	Stainless	✓		✓	✓		✓	✓
	Cast Iron	✓		✓				

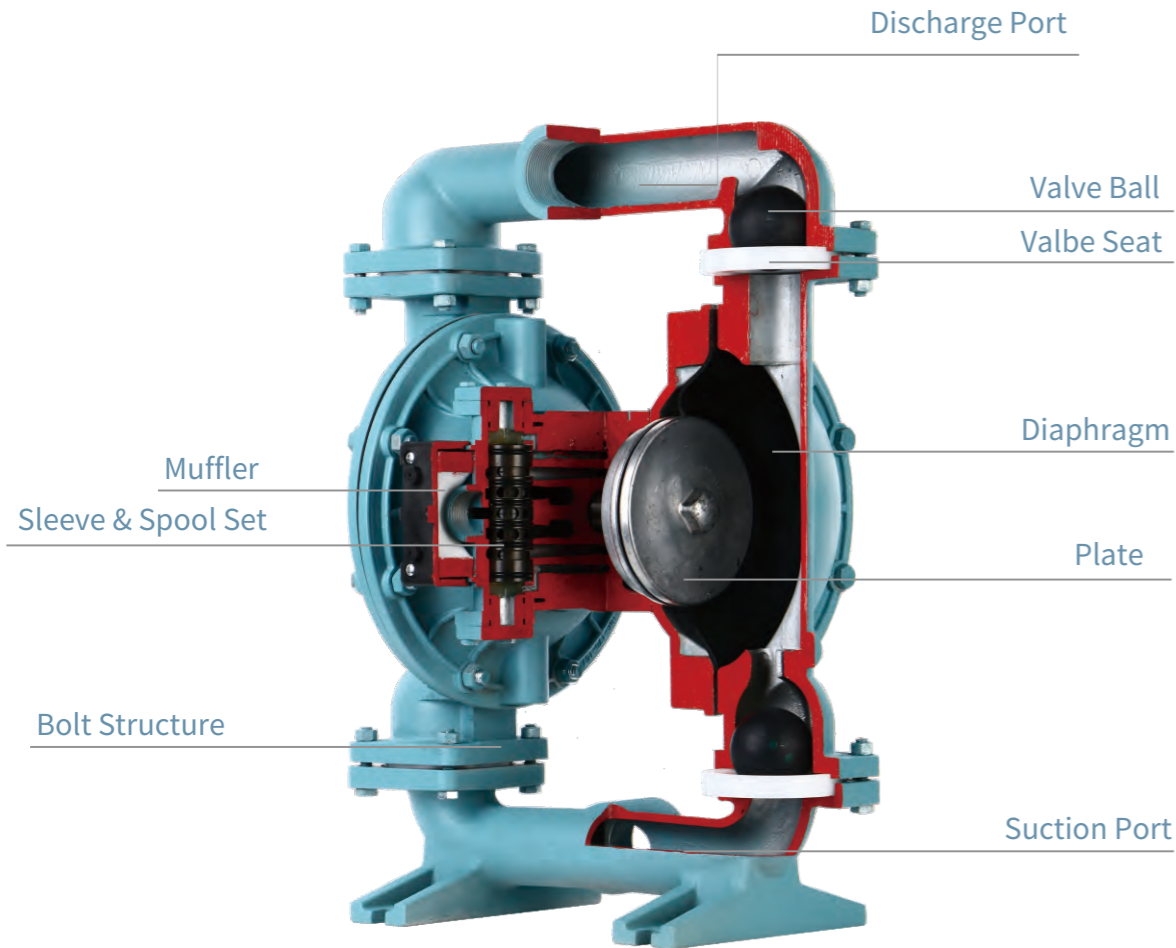
*Note: Brands mentioned are only for reference. No original brands available.

SANDPIPER® is a registered trademark of Warren Rupp Company (IDEX Corp).

WILDEN® is a registered trademark of PSG, a Dover Company.

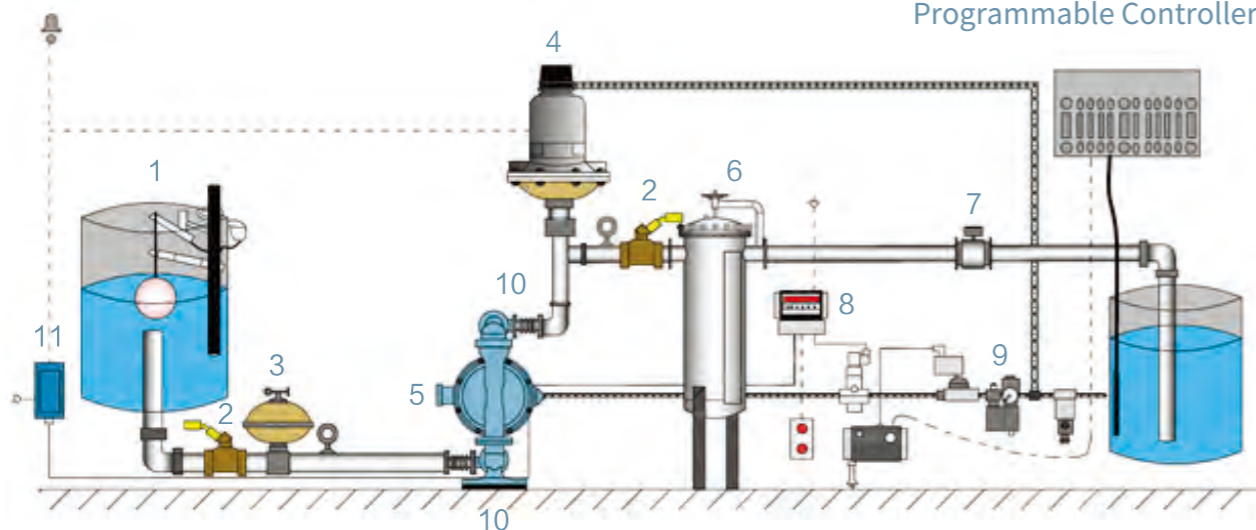
ARO® is a registered trademark of Ingersoll Rand Company.

DJ Pump Cutaway



Installation Example

Programmable Controller



- 1. Liquid Level Controller 2. Manual Ball Valve 3. Inlet Stabilizer 4. Surge Damper
- 5. Muffler 6. Liquid Filter 7. Flow Meter 8. Rate Regulator
- 9. Air Filter, Regulator 10. Soft Connection 11. Electronic Leak Indicator

Explanation of Pump Nomenclature for Series Compatible with Sandpiper

Pump Series

- DJ DJ pump Standard
- DJT DJ pump Food Processing
- DJG DJ pump Gas Operated
- DJL DJ pump Lithium Battery
- BQG DJ pump Mining Industry

Pump Size

- 02 1/4"
- 05 1/2"
- 07 3/4"
- 10 1"
- 1F 1" Full Flow
- 15 1-1/2"
- 20 2"
- 30 3"

Design Level

- 01 Design Level

Wetted Material

- A Aluminum
- I Cast Iron
- S Stainless Steel
- X Unpainted Aluminum
- P PP
- K PVDF

Non-Wetted Material Options

- A Aluminum
- S Stainless Steel
- P PP
- X Unpainted Aluminum
- Y Painted Aluminum with Stainless Steel Hardware
- W White Epoxy Coated Aluminum

Diaphragm/Check Valve Ball Materials

- 1 Santoprene / Santoprene
- 2 PTFE Santoprene / PTFE
- 3 Neoprene / Santoprene
- 4 Hytrel / Santoprene
- 5 Buna-N/ PTFE
- 6 Hytrel / Neoprene
- B Buna-N/ Buna-N
- C Viton / PTFE
- E EPDM / EPDM
- G PTFE-Neoprene / PTFE
- H Hytrel / Hytrel
- I EPDM / Santoprene
- M Santoprene / PTFE
- N Neoprene / Neoprene
- T PTFE-Buna-N/ PTFE
- V FKM / FKM
- L FDA Santoprene / PTFE
- S PTFE - FDA Santoprene / PTFE

Check Valve Seat

- 1 Santoprene
- 4 Hytrel
- A Aluminum
- B Buna-N
- E EPDM
- K PVDF
- N Neoprene
- P PP
- S Stainless Steel
- T PTFE
- V FKM
- W UHMW polyethylene

Porting Options

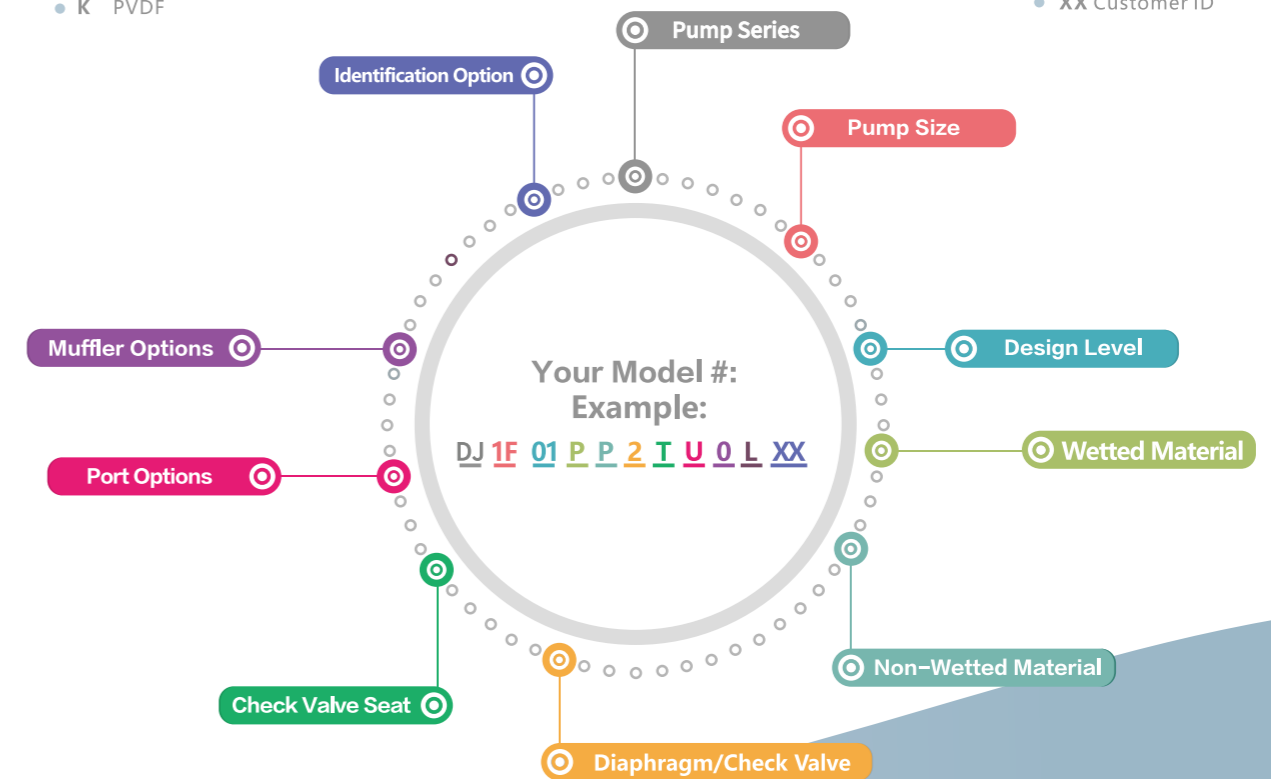
- N NPT Threads
- B BSPT Threads
- A ANSI Flange
- D DIN Flange
- U Universal Flange (Fits ANSI and DIN)
- T Sanitary Clamp Fitting

Muffler Options

- 0 Body Connected Muffler
- 6 Metal Muffler
- X No Muffler

Identification Option

- XX Customer ID



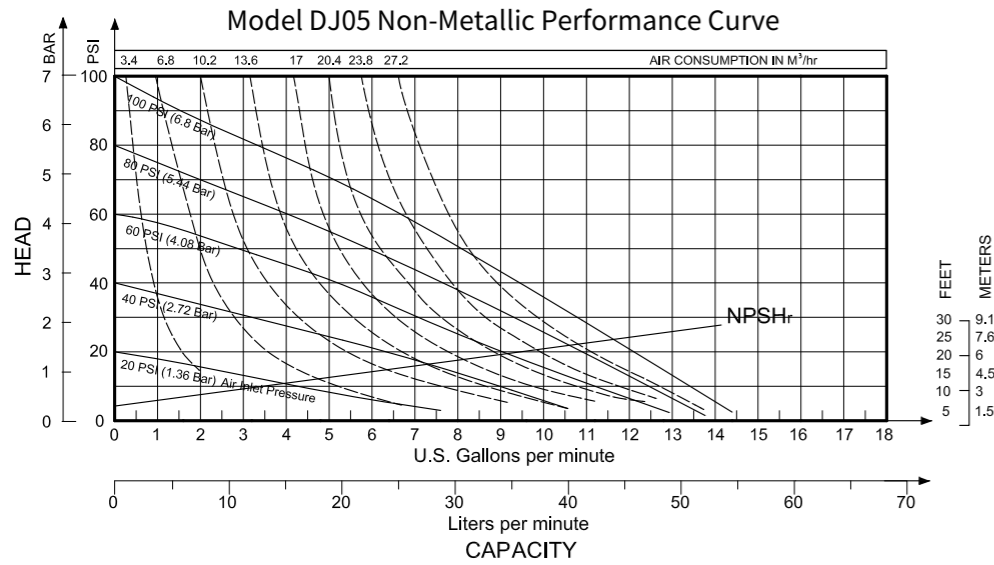
1. DJ-SXX Series

The Pumps Compatible with Sandpiper



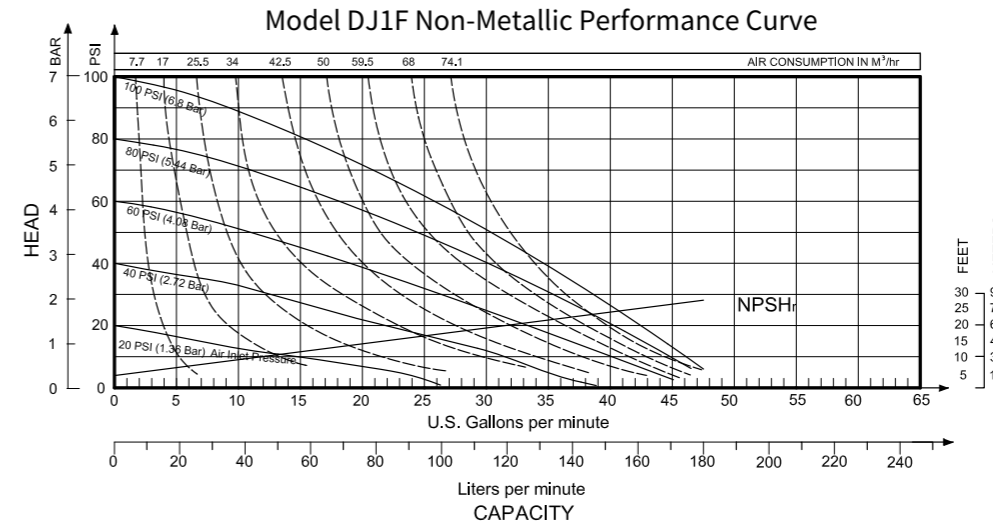
DJ Pump Non-metallic Model DJ-SXX Series

1/2" (12mm) DJ05 Non-metallic Pump Performance



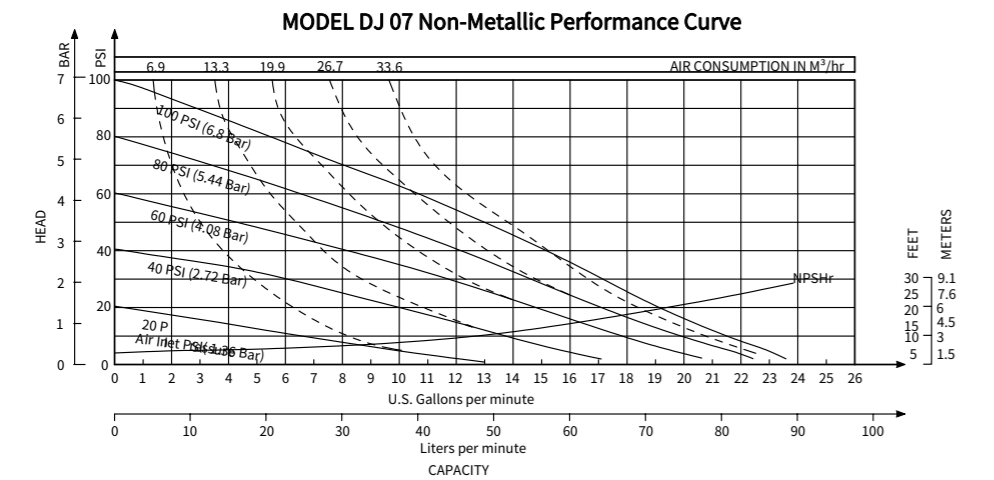
Max Flow (lpm/gpm)	56 / 15
Porting	NPT / BSP
Max Pressure	102 / 7
Max Solids (mm)	3
Wetted End	PP / PVDF
Suction Lift (m)	4.12 (Dry) 7.62 (Wet)

1" (25mm) DJ1F Non-metallic Pump Performance



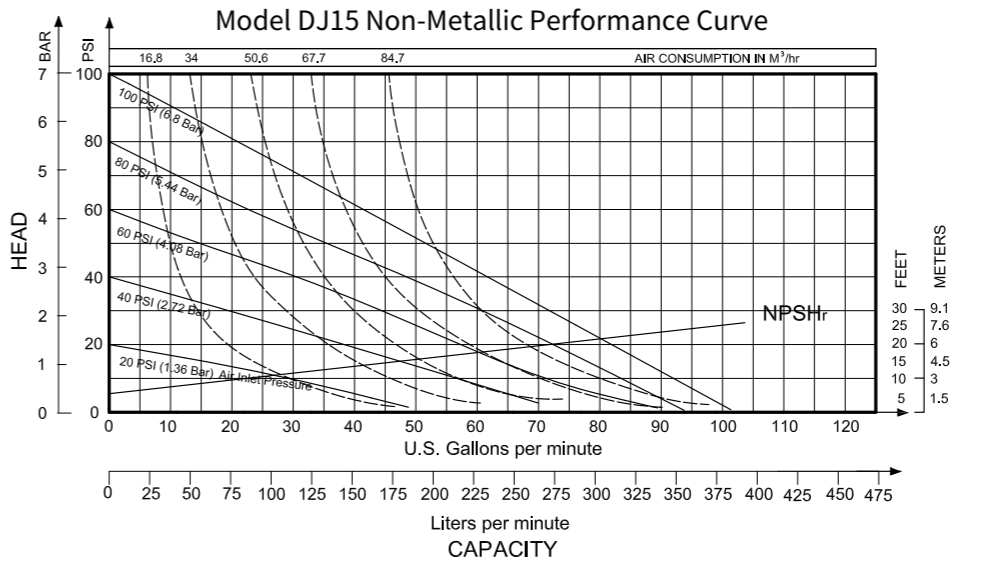
Max Flow (lpm/gpm)	204 / 54
Porting	Flange
Max Pressure	102 / 7
Max Solids (mm)	6
Wetted End	PP / PVDF
Suction Lift (m)	4.57 (Dry) 7.62 (Wet)

3/4" DJ07 Non-metallic Pump Performance



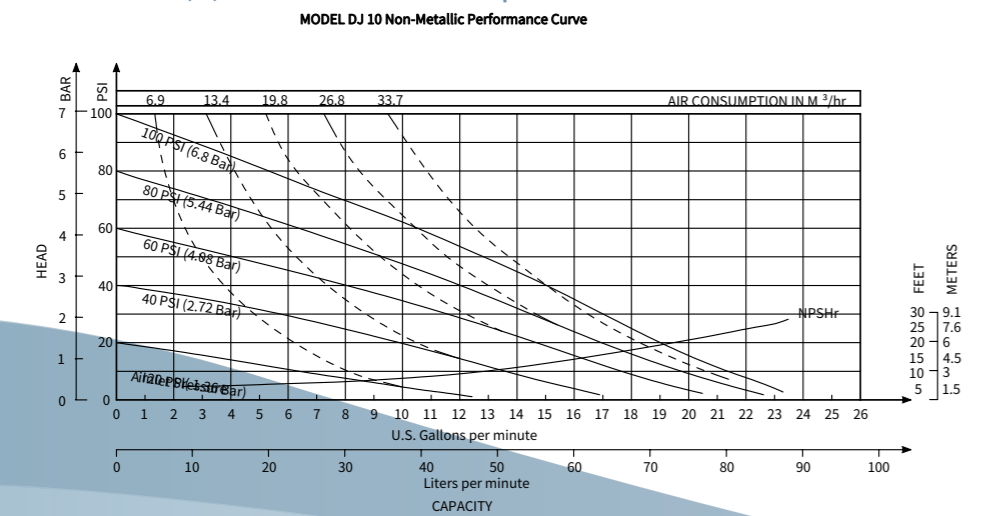
Max Flow (lpm/gpm)	90 / 24
Porting	NPT / BSP
Max Pressure	100 / 7
Max Solids (mm)	3
Wetted End	PP / PVDF
Suction Lift (m)	4.12 (Dry) 7.62 (Wet)

1 1/2" (38mm) DJ15 Non-metallic Pump Performance



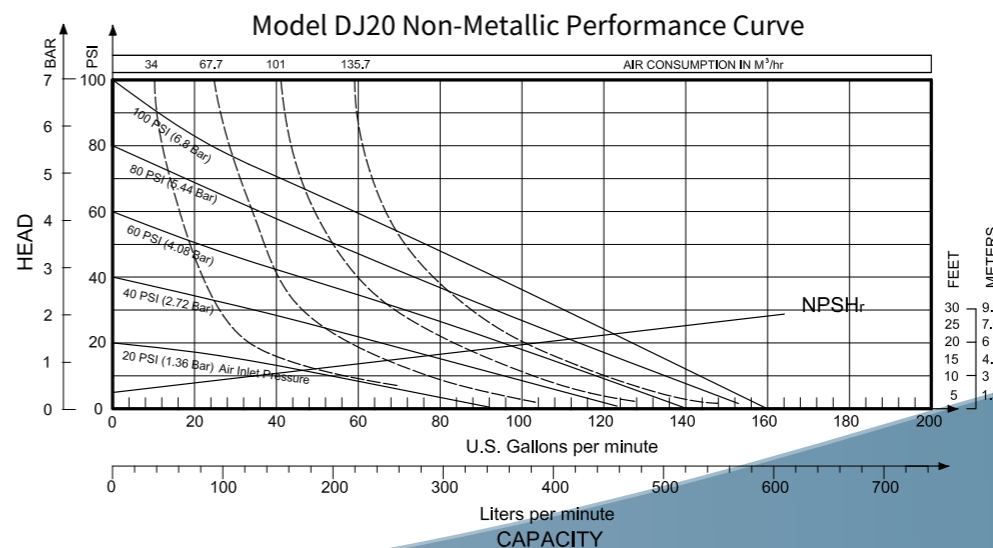
Max Flow (lpm/gpm)	382 / 101
Porting	Flange
Max Pressure	102 / 7
Max Solids (mm)	12
Wetted End	PP / PVDF
Suction Lift (m)	4.4 (Dry) 7.62 (Wet)

1" DJ10(A) Non-metallic Pump Performance



Max Flow (lpm/gpm)	90 / 24
Porting	ANSI
Max Pressure	100 / 7
Max Solids (mm)	3
Wetted End	PP / PVDF
Suction Lift (m)	4.12 (Dry) 7.62 (Wet)

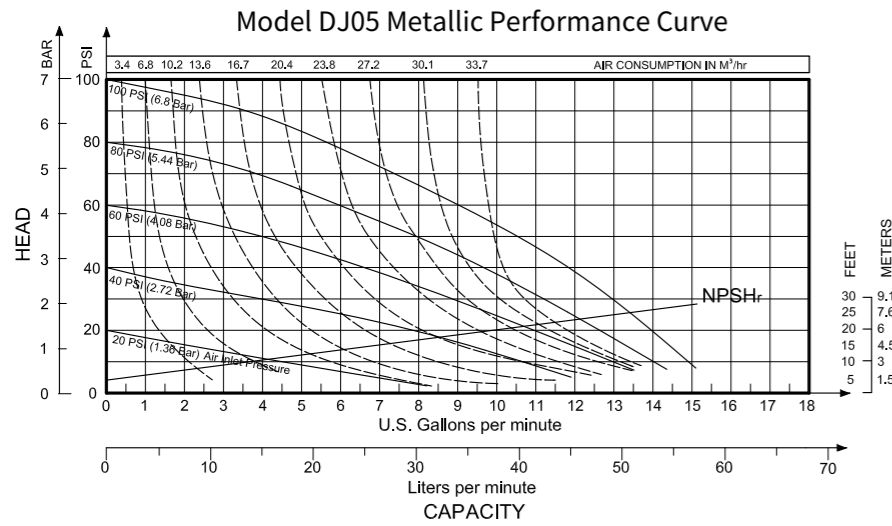
2" (50mm) DJ20 Non-metallic Pump Performance



Max Flow (lpm/gpm)	609 / 161
Porting	Flange
Max Pressure	102 / 7
Max Solids (mm)	17
Wetted End	PP / PVDF
Suction Lift (m)	6.5 (Dry) 7.62 (Wet)

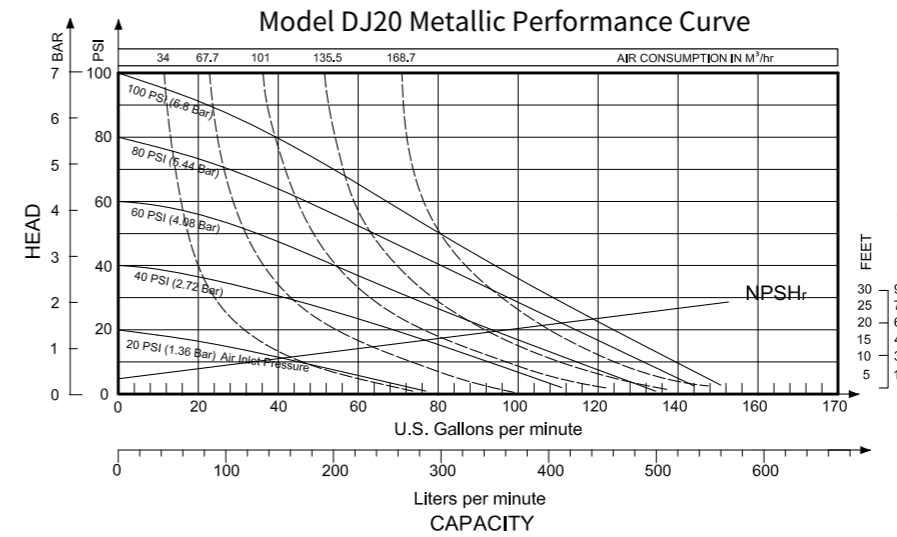
DJ Pump Metallic Model DJ-SXX Series

1/2" (12mm) DJ05 Metallic Pump Performance



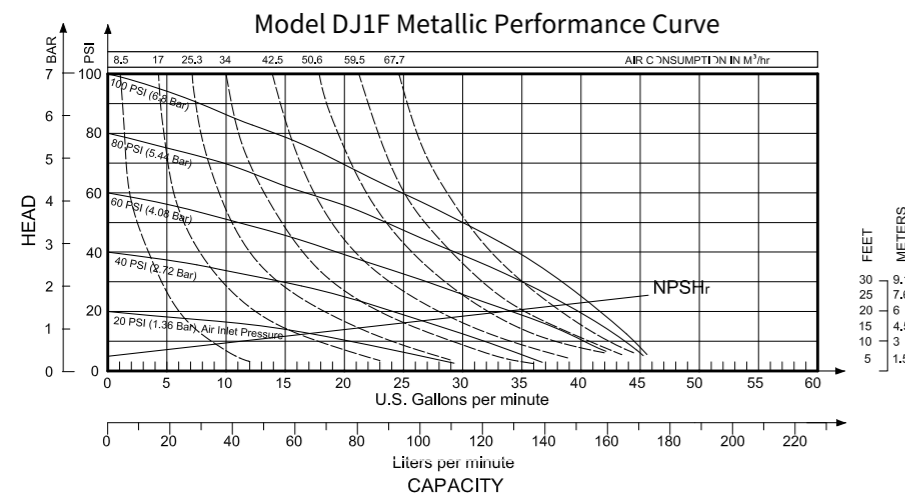
Max Flow (lpm/gpm)	60 / 16
Porting	NPT / BSP
Max Pressure	125 / 8.6
Max Solids (mm)	3
Wetted End	Cast Iron/Aluminum/ Stainless Steel
Suction Lift (m)	4.15 (Dry) 7.62 (Wet)

2" (50mm) DJ20 Metallic Pump Performance



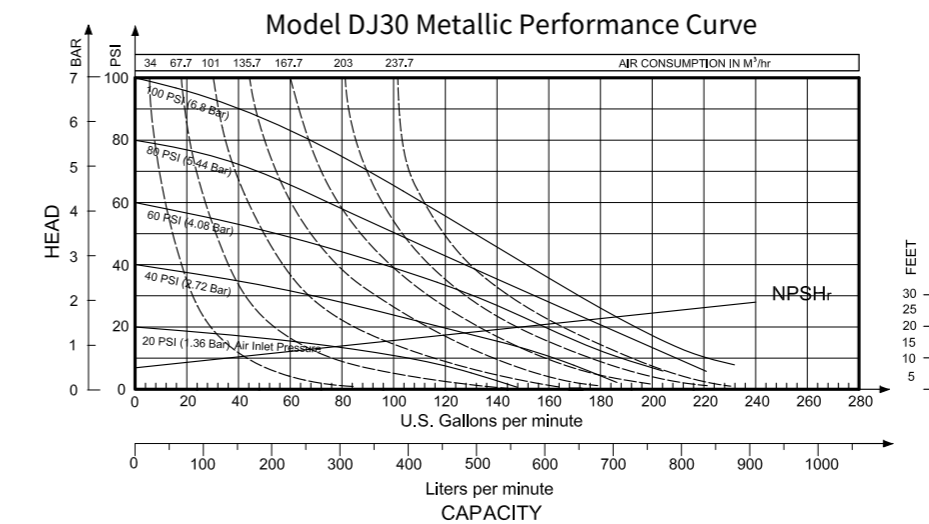
Max Flow (lpm/gpm)	571 / 151
Porting	NPT / BSP
Max Pressure	125 / 8.6
Max Solids (mm)	6
Wetted End	Cast Iron/Aluminum/ Stainless Steel
Suction Lift (m)	6.1 (Dry) 7.62 (Wet)

1" (25mm) DJ1F Metallic Pump Performance



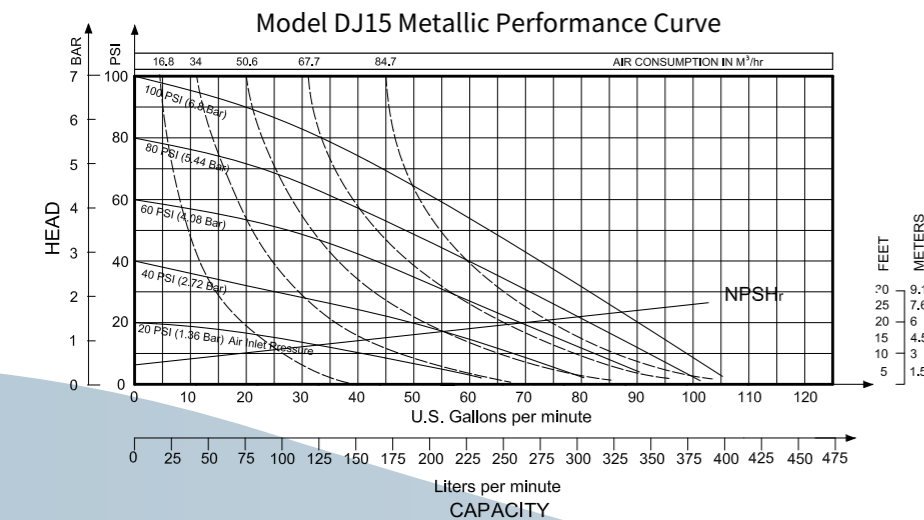
Max Flow (lpm/gpm)	174 / 46
Porting	NPT / BSP
Max Pressure	125 / 8.6
Max Solids (mm)	6
Wetted End	Cast Iron/Aluminum/ Stainless Steel
Suction Lift (m)	4.57 (Dry) 7.62 (Wet)

3" (75mm) DJ30 Metallic Pump Performance



Max Flow (lpm/gpm)	893 / 236
Porting	NPT / BSP
Max Pressure	125 / 8.6
Max Solids (mm)	9.6
Wetted End	Cast Iron/Aluminum/ Stainless Steel
Suction Lift (m)	6.2 (Dry) 7.62 (Wet)

1 1/2" (38mm) DJ15 Metallic Pump Performance



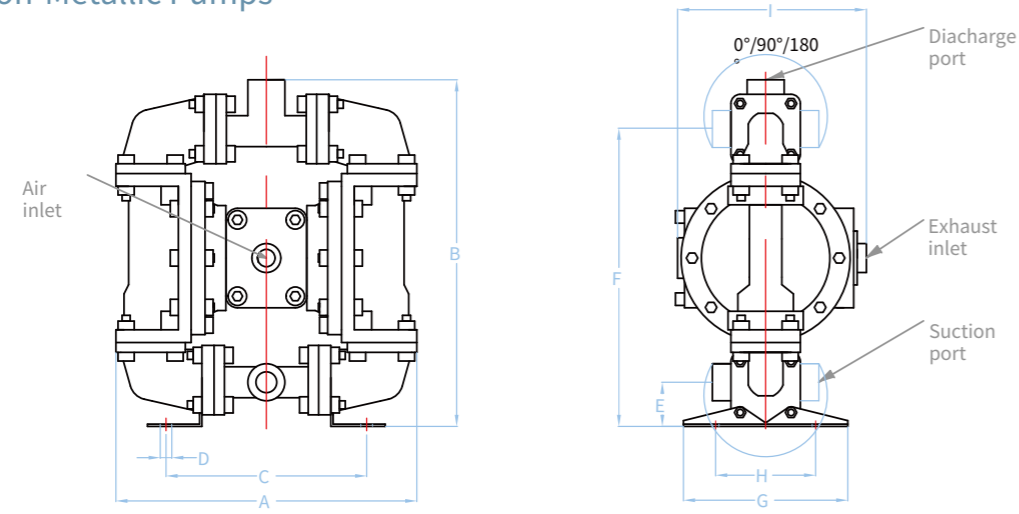
Max Flow (lpm/gpm)	405 / 107
Porting	NPT / BSP
Max Pressure	125 / 8.6
Max Solids (mm)	6
Wetted End	Cast Iron/Aluminum/ Stainless Steel
Suction Lift (m)	5.3 (Dry) 7.62 (Wet)

Flexible Design According to Customer Needs



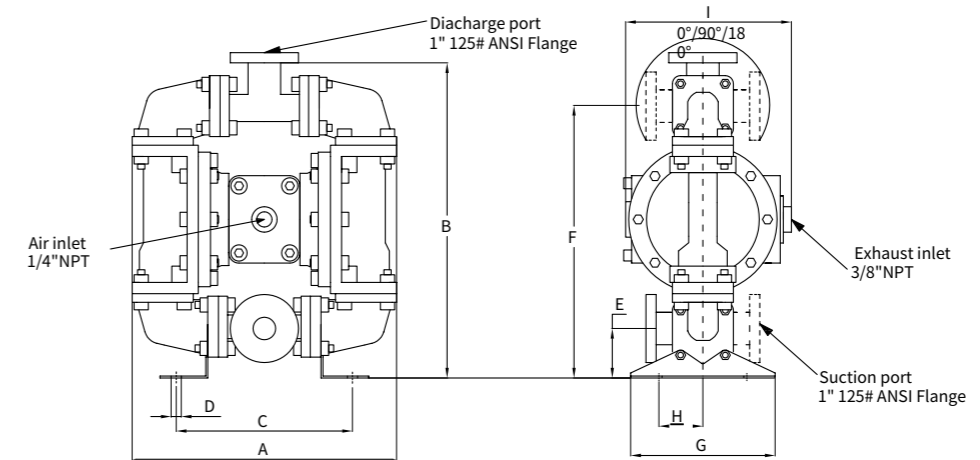
Pump Dimension Drawing DJ-SXX Series

DJ05 Non-Metallic Pumps



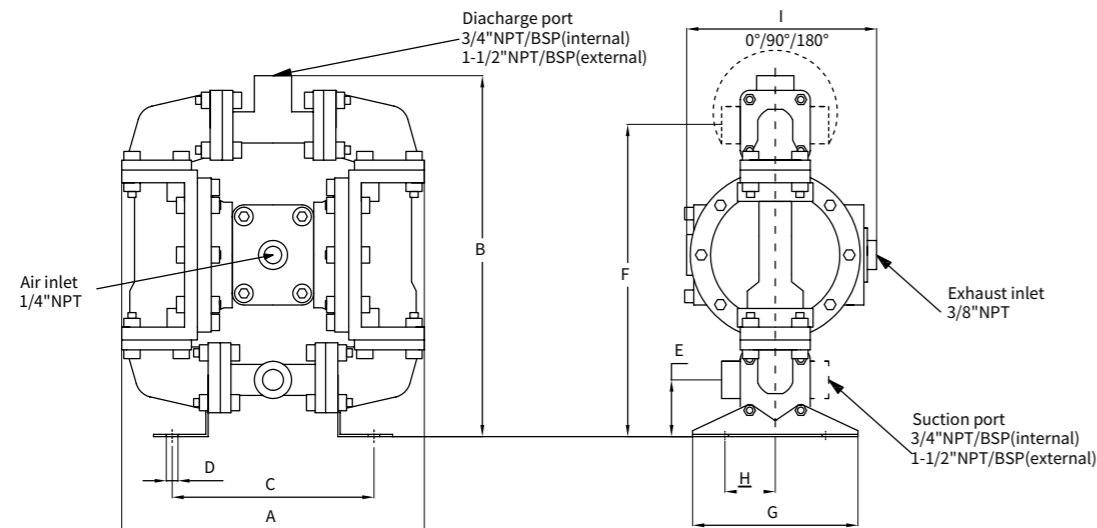
Pump Model	Port Size		Air Inlet Size	Exhaust Port Size	A	B	C	D	E	F	G	H	I		Weight (lb)
	inches												standard muffler	metal muffler	
DJ05NM	1/2" NPT/BSP(internal)	inches	1/4"NPT	3/8"NPT	257	293	166	9	36	250	142	92	181	224	PP:11.2 PVDF:13
	1"NPT/BSP(external)	inches			10.1"	11.5"	6.6"	0.36"	1.4"	9.8"	5.6"	3.6"	7.1"	8.8"	

DJ10(A) Non-Metallic Pumps



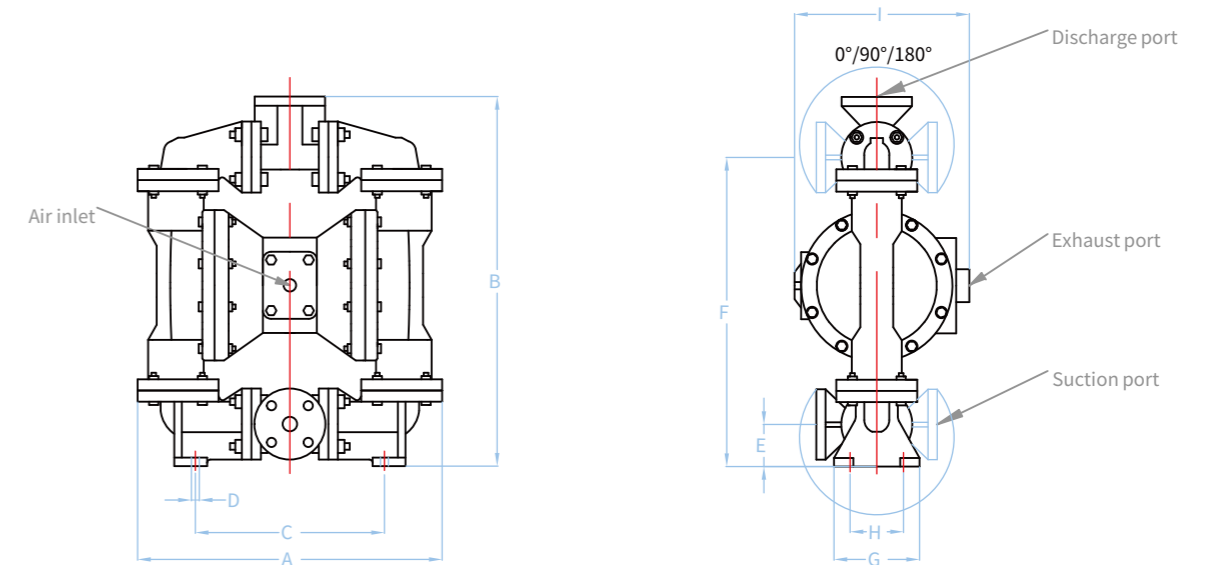
Pump Model	A	B	C	D	E	F	G	H	I		Weight (kg)	
									mm/inches			
									standard muffler	metal muffler		
DJ10 NM	mm	mm	mm	mm	mm	mm	mm	mm	mm	mm	mm	PP:6.3 PVDF:8.1
	inches	inches	inches	inches	inches	inches	inches	inches	inches	inches	inches	
300	386	184	9	64	297	143	57	179	222			
11.81"	15.2"	7.24"	0.36"	2.52"	11.69"	5.63"	2.24"	7.05"	8.74"			

DJ07 Non-Metallic Pumps



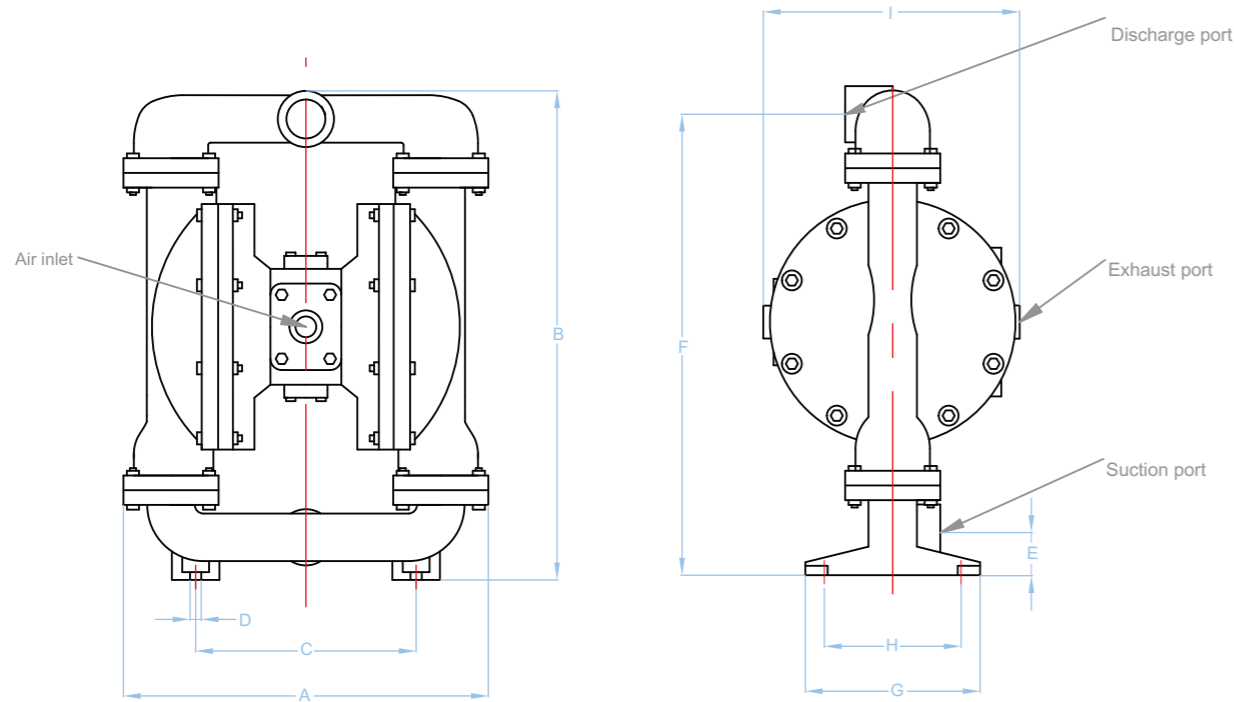
Pump Model	A	B	C	D	E	F	G	H	I		Weight (kg)
									mm/inches		
									standard muffler	metal muffler	
DJ07NM	mm	mm	mm	mm	mm	mm	mm	mm	mm	mm	PP:6.2 PVDF:8
	inches	inches	inches	inches	inches	inches	inches	inches	inches	inches	
300	357	184	9	64	297	143	57	179	222		
11.81"	14.06"	7.24"	0.36"	2.52"	11.69"	5.63"	2.24"	7.05"	8.74"		

DJ1F,DJ15,DJ20 Non-Metallic Pumps



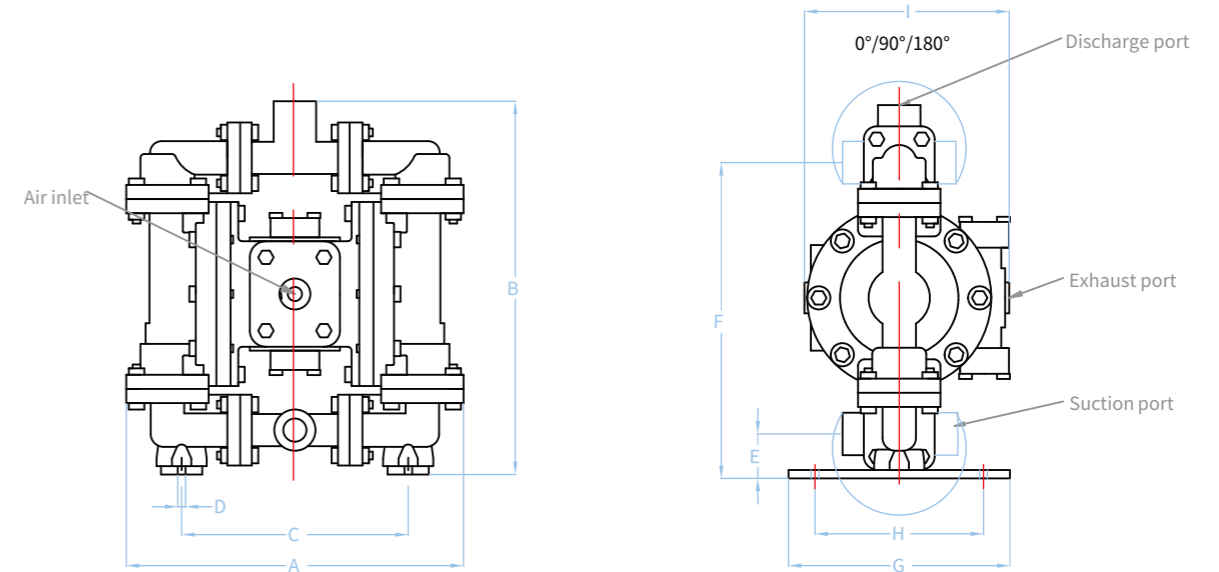
Pump Model	Port Size	Air Inlet Size	Exhaust Port Size	A	B	C	D	E	F	G	H	I		Weight (lb)
												mm		
												standard muffler	metal muffler	
DJ1FNM	1"150#Flange	1/2"NPT	1"NPT	433	527	259	11	63	433	130	112	300	343	PP:40.6 PVDF:49.8
				mm	mm	mm	mm	mm	mm	mm	mm	mm	mm	
				17"	20.75"	10.2"	0.44"	2.5"	17"	5.1"	4"	11.8"	13.5"	
DJ15NM	1.5"150#Flange	3/4"NPT	1"NPT	584	730	287	16	89	640	228	172	330	384	PP:87.1
				mm	mm	mm	mm	mm	mm	mm	mm	mm	mm	
				23"	28.75"	11.3"	0.63"	3.5"	25.2"	9"	6.8"	13"	15.1"	
DJ20NM	2"150#Flange	3/4"NPT	1"NPT	605	819	289	16	97	716	292	236	330	384	PP:92.6
				mm	mm	mm	mm	mm	mm	mm	mm	mm	mm	
				23.8"	32.25"	11.4"	0.63"	3.8"	28.2"	11.5"	9.2"	13"	15.1"	

DJ05,DJ1F,DJ15,DJ30 Metallic Pumps



Pump Model	DJ05M	DJ1FM	DJ15M	DJ20M	DJ30M		
Port Size	1/2" NPT/ BSP(internal) 1"NPT/ BSP(external)	1"NPT/BSP	1.5"NPT/BSP	2"NPT/BSP	3"NPT/BSP		
Air Inlet Size	1/4"NPT	1/2"NPT	3/4"NPT	3/4"NPT	3/4"NPT		
Exhaust Port Size	3/8"NPT	1"NPT	1"NPT	1"NPT	1"NPT		
A	mm inches	260 10.2"	260 10.2"	423 16.7"	428 16.9"	499 19.6"	
B	mm inches	263 10.4"	326 12.8"	559 22"	669 26.3"	815 32.1"	
C	mm inches	183 7.2"	172 6.8"	251 9.9"	256 10.1"	305 12"	
D	mm inches	10 0.4"	8 0.32"	13 0.5"	13 0.5"	17 0.66"	
E	mm inches	33 1.3"	31 1.2"	54 2.1"	51 2"	60 2.4"	
F	mm inches	247 9.7"	304 12.0"	526 20.7"	631 24.8"	761 30.0"	
G	mm inches	156 6.1"	127 5"	203 8"	254 10"	298 11.7"	
H	mm inches	140 5.52"	96 3.8"	178 7.0"	228 9.0"	258 10.2"	
I	standard muffler	mm inches	186 7.3"	264 10.4"	314 12.4"	320 12.6"	400 15.75"
	metal muffler	mm inches	219 8.6"	319 12.6"	368 14.5"	373 14.7"	425 16.75"
Weight (lb)	SS: 24.7	AL: 25.1 Cl: 43.1 SS: 40.6	AL: 60.4 Cl: 105.8 SS: 103.6	AL: 70.5 Cl: 134.4 SS: 123.5	AL: 121.3 Cl: 224.9 SS: 216.1		

DJ05AL Metallic Pumps



Pump Model	Port Size	Air Inlet Size	Exhaust Port Size	A	B	C	D	E	F	G	H	I		Weight (lb)
	inches	inches	inches	mm inches	mm inches	mm inches	mm inches	mm inches	mm inches	mm inches	mm inches	standard muffler mm inches	metal muffler mm inches	
DJ05AL	1/2" NPT/BSP(internal) 1"NPT/BSP(external)	1/4"NPT	3/8"NPT	260 10.25"	292 11.5"	184 7.3"	8 0.3"	34 1.3"	247 9.7"	172 6.75"	140 5.5"	186 7.3"	219 8.6"	17.6

Chemical Chart of Materials

Material Name	Working Temperature Limited F(°C)	Level 1~5 (Level 5 is the best)		
		Chemical Resistance	Wear Resistance	Flexibility
Buna-N	-10(-23) ~190(88)	1	2	3
PTFE-Diaphragm	-35(-37) ~ 220(104)	5	2	-
EPDM	-40 (-40) ~280 (138)	4	4	4
Viton	-40 (-40) ~350 (177)	4	2	1
Neoprene	-10 (-23) ~200 (93)	1	3	3
PP	+35 (2) ~175 (79)	4	2	-
Santoprene	-40 (-40) ~275 (135)	4	5	5
PVDF	+10 (-12) ~200(93)	5	2	-
TPO	-40(-40)~239(115)	4	5	3

DJ Pump Professional Industry Model

Pumps For Lithium Batteries

- Applicable to the lithium battery industry
- Does not contain iron, copper, zinc
- Sizes: plastic pump 1/4"~2" metal pump 1/2"~3"
- Meet the relevant standards of the lithium battery industry
- Certificates: CE, ATEX



Pumps For Food Hygienic



- Applicable to the sanitary industry
- Food grade quick connection interface, no thread connection, better meet the needs of the food industry
- The surface of the aluminum air system is coated with food-grade epoxy resin
- Certificates: CE, ATEX, DPTC



Pumps For Mining

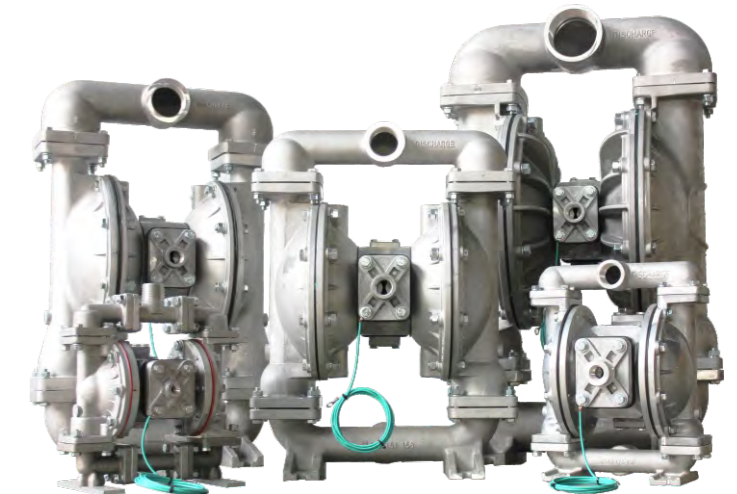


- Aluminum shell
- Pumps of 1.5 inches and above are designed and equipped with handles for easy transportation. Customers can choose the protective cover according to their needs to adapt to the coal mine environment.
- Sizes: 1/2", 1", 1-1/2", 2", 3"
- Possess a mining product safety mark certificate
- Certificates: CE, ATEX, MA

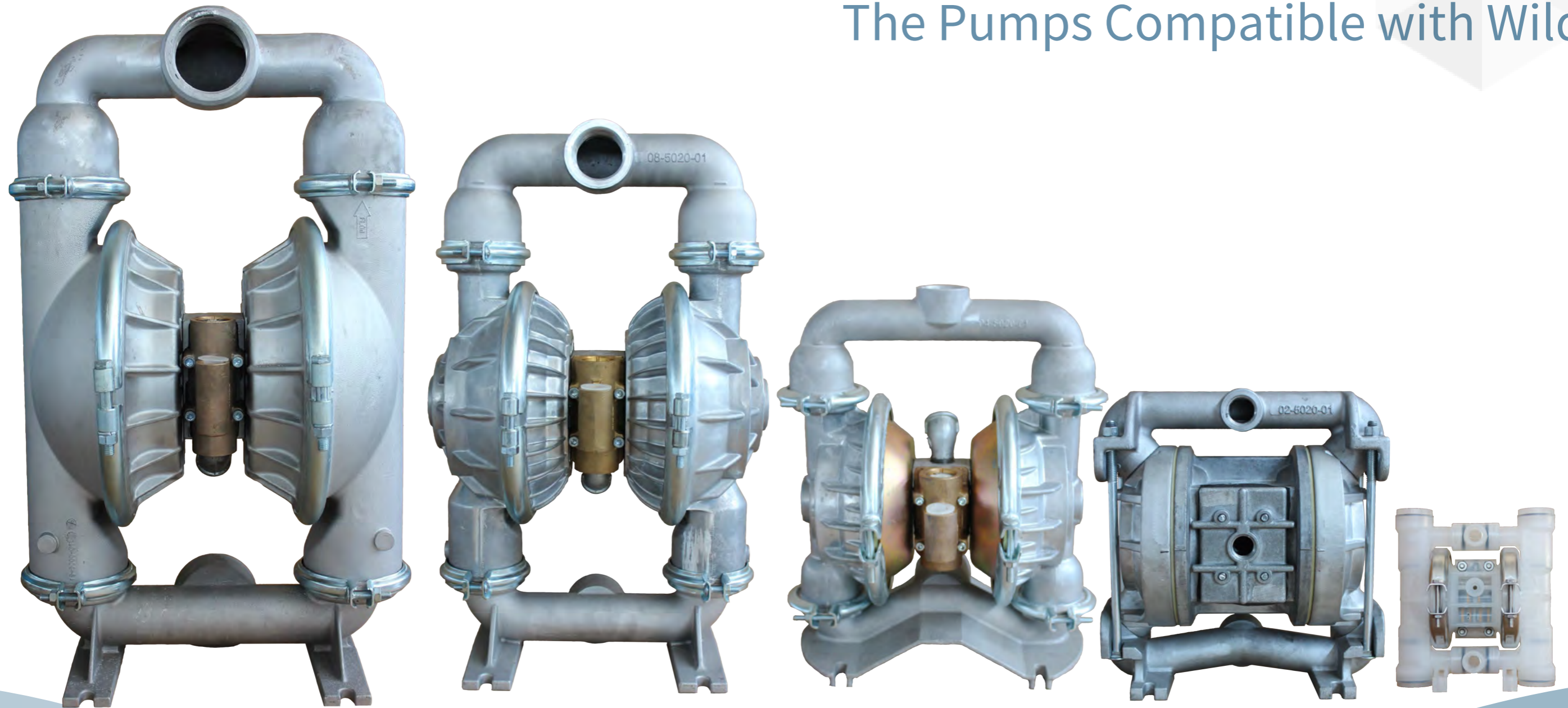


Gas operated pump

- Aluminum and Stainelss Steel bodies
- The main air path seals are all made of fluorine rubber or conductive material
- Equipped with metal muffler and ground wire
- It is generally applicable to occasions where explosion-proof requirements are generally required. Especially suitable for occasions driven by natural gas
- Certificates: CE, ATEX



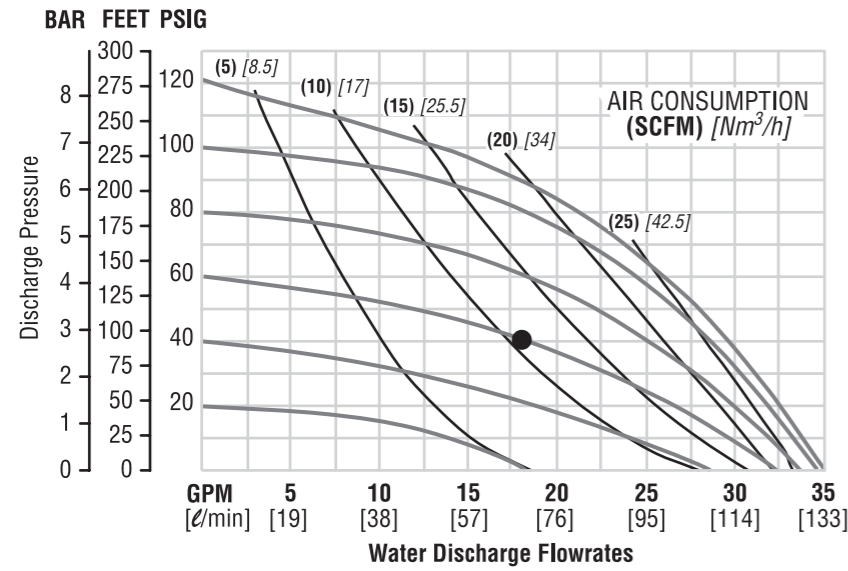
2. DJ-TXX Series



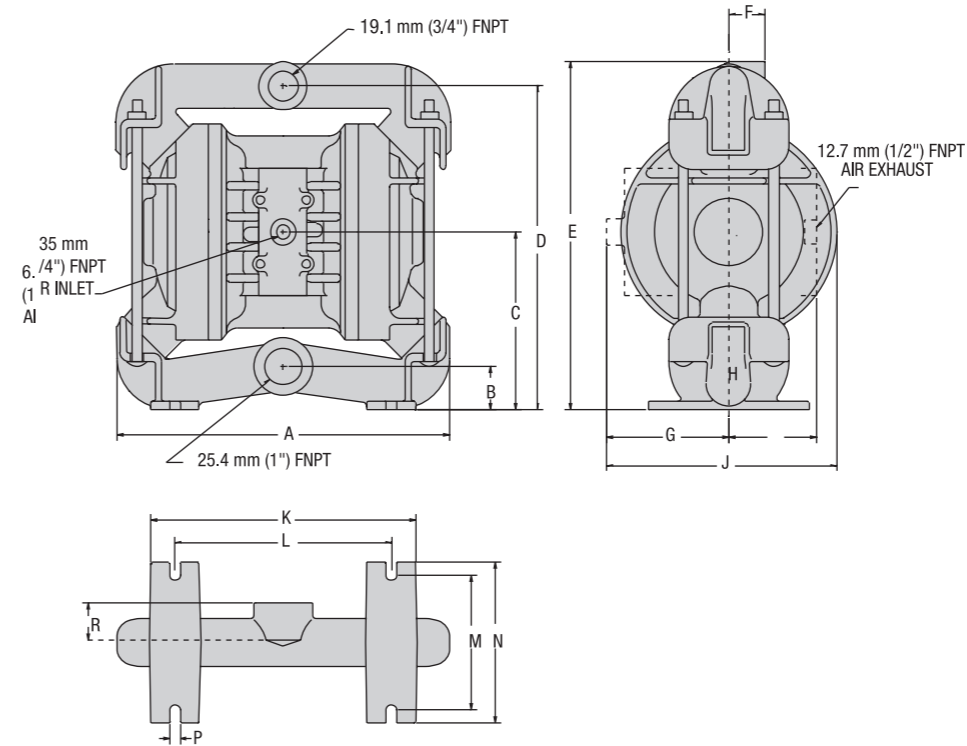
The Pumps Compatible with Wilden

DJ Pump DJ-TXX Metallic Model

1" DJT2 Metallic Pump Performance



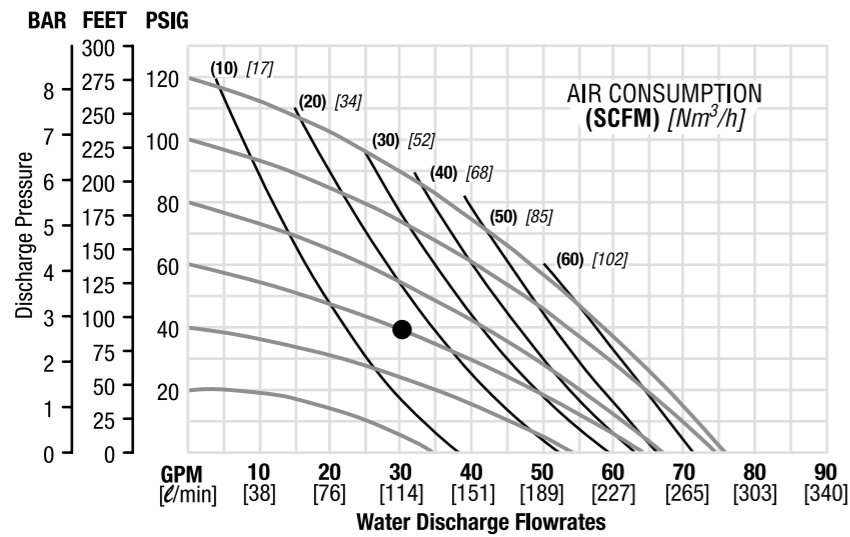
Max Flow (lpm/gpm)	132 / 35
Porting	NPT / BSP
Max Pressure	125/8.6
Max Solids (mm)	3.18
Wetted End	AL
Suction Lift (m)	5.18 (Dry) 9.45 (Wet)



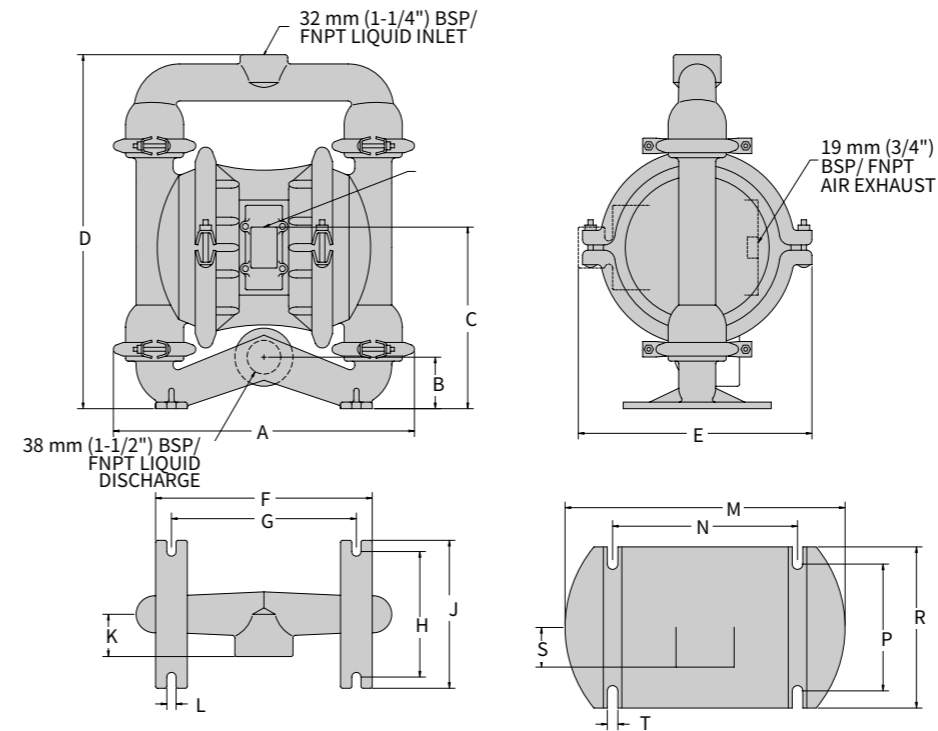
DIMENSIONS - DJT2 (METAL)		
ITEM	METRIC (mm)	STANDARD (inch)
A	267.5	10.53
B	36.5	1.43
C	138.0	5.43
D	254.0	10.00
E	279.4	11.00
F	28.6	1.12
G	95.3	3.75
H	77.0	3.03
J	184.2	7.25
K	209.6	8.25
L	171.5	6.75
M	106.4	4.18
N	127.0	5.00
P	7.9	.31
R	31.8	1.25

BSP threads available.

1 1/2" DJT4 Metallic Pump Performance



Max Flow (lpm/gpm)	288 / 76
Porting	NPT / BSP
Max Pressure	125/8.6
Max Solids (mm)	4.8
Wetted End	AL
Suction Lift (m)	5.49 (Dry) 8.53 (Wet)

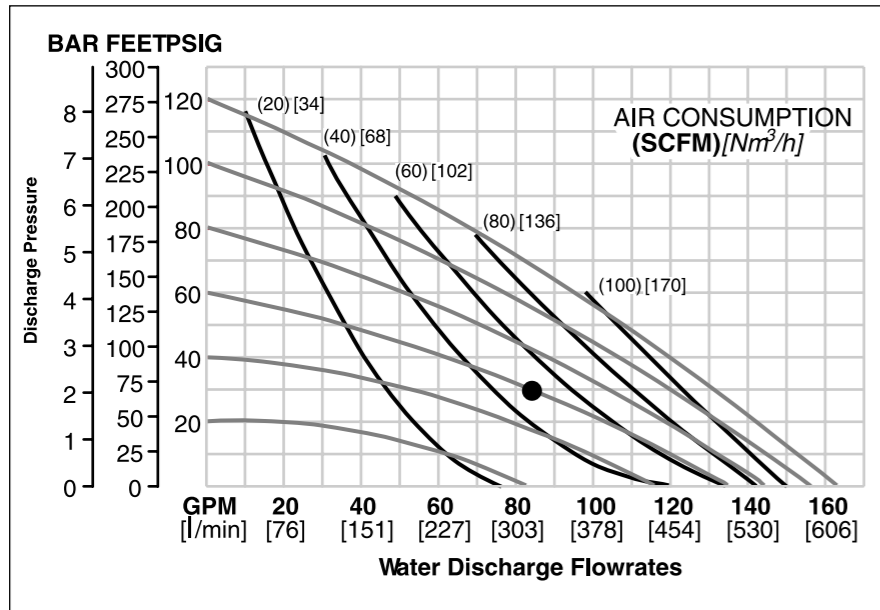


DIMENSIONS - DJT4 (METAL)		
ITEM	METRIC (mm)	STANDARD (inch)
A	391	15.4
B	63	2.5
C	219	8.6
D	442	17.4
E	285	11.2
F	262	10.3
G	224	8.8
H	152	6.0
J	178	7.0
K	67	2.6
L	11	0.4

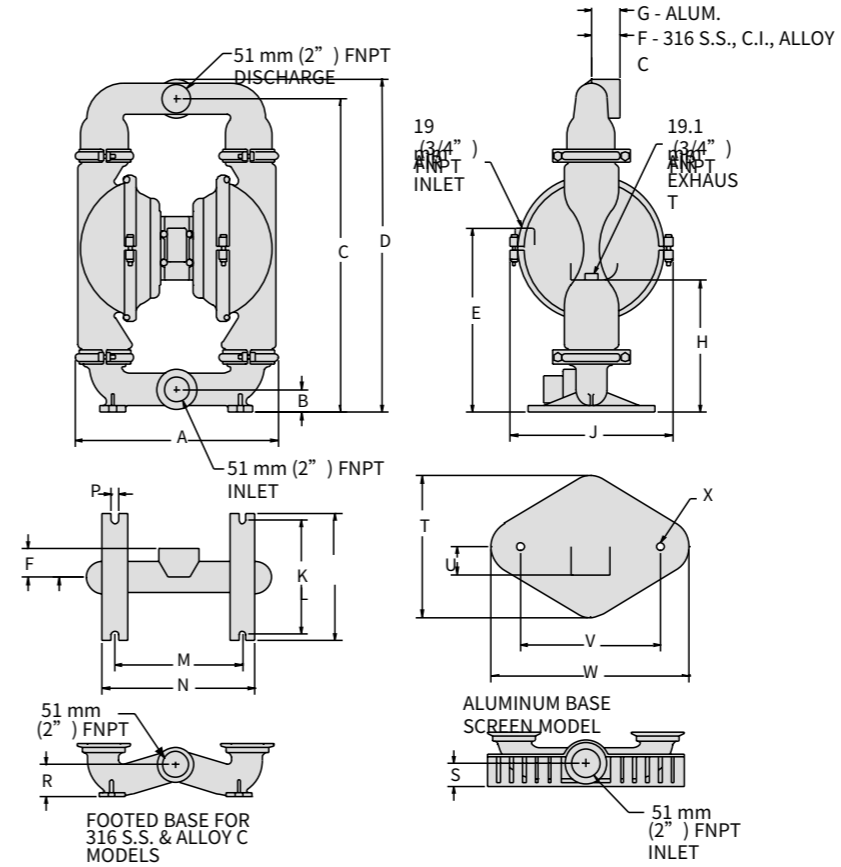
BSP threads available.

DJ Pump DJ-TXX Metallic Model

2" DJT8 Metallic Pump Performance



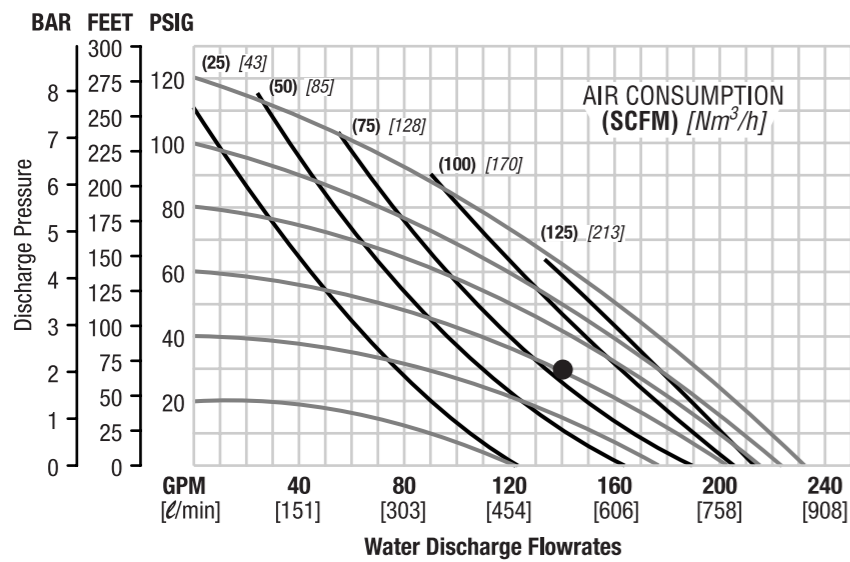
Max Flow (lpm/gpm)	617 / 163
Porting	NPT / BSP
Max Pressure	125/8.6
Max Solids (mm)	6.4
Wetted End	AL
Suction Lift (m)	6.4 (Dry) 9.5 (Wet)



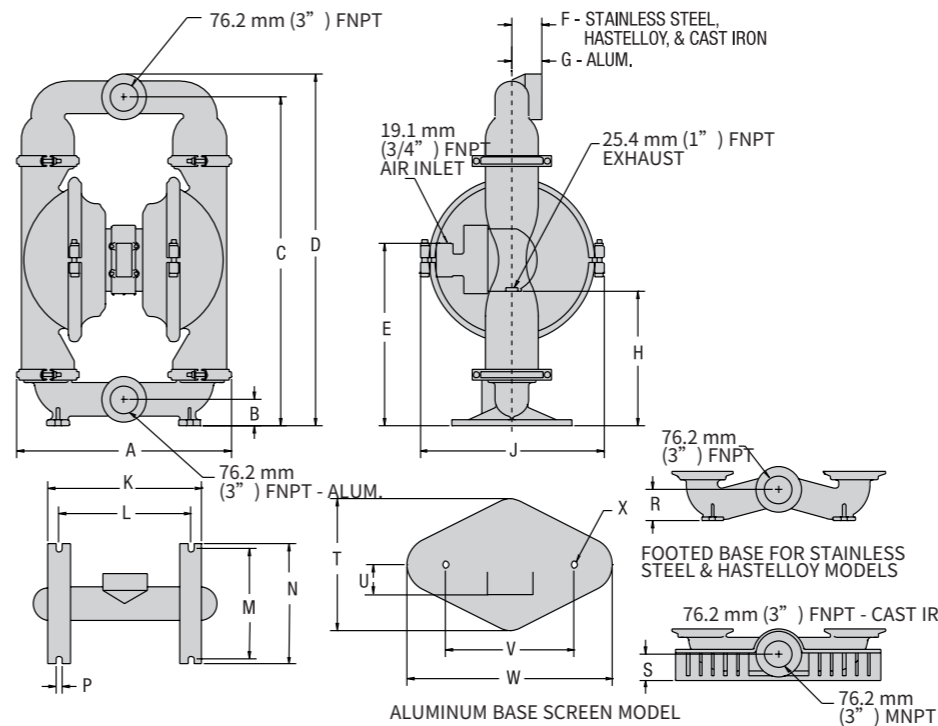
DIMENSIONS - DJT8 (METAL)		
ITEM	METRIC (mm)	STANDARD (inch)
A	404	15.9
B	48	1.9
C	630	24.8
D	668	26.3
E	361	14.2
F	58	2.3
G	61	2.4
H	272	10.7
J	343	13.5
K	229	9.0
L	254	10.0
M	257	10.1
N	312	12.3
P	15	0.6
R	64	2.5
S	51	2.0
T	282	11.1
U	71	2.8
V	282	11.1
W	386	15.2
X	Ø1	Ø0.

BSP threads available. 6

3" DJT15 Metallic Pump Performance



Max Flow (lpm/gpm)	878 / 232
Porting	NPT / BSP
Max Pressure	125/8.6
Max Solids (mm)	9.53
Wetted End	AL
Suction Lift (m)	5.5 (Dry) 9.45 (Wet)

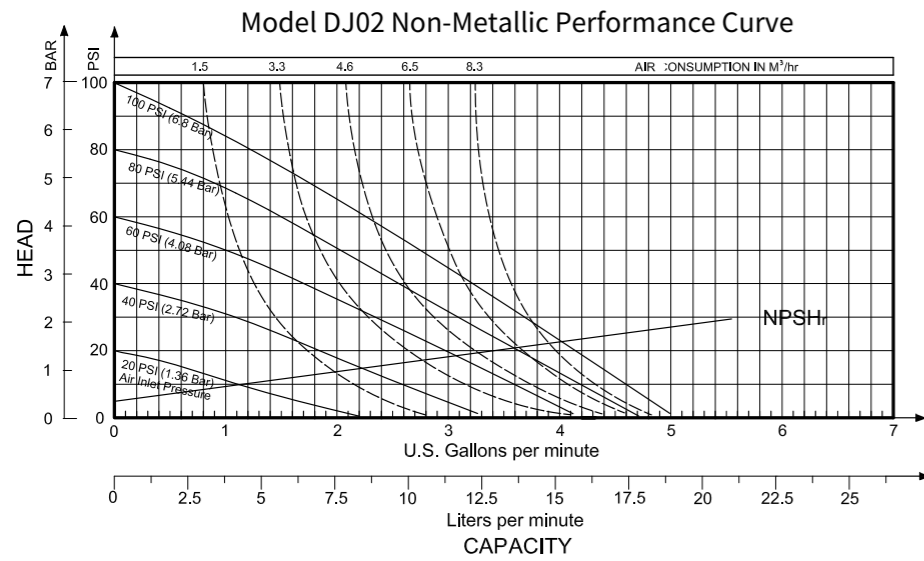


DIMENSIONS - DJT15 METAL		
ITEM	METRIC (mm)	STANDARD (inch)
A	505.2	19.90
B	59.5	2.34
C	760.6	29.96
D	821.7	32.37
E	418.4	16.50
F	71.4	2.81
G	68.3	2.68
H	312.5	12.31
J	425.5	16.75
K	360.4	14.18
L	304.8	12
M	257.8	10.15
N	281.8	11.09
P	15.9	.62
R	69.9	2.75
S	65.8	2.59
T	305.4	12.03
U	42.9	1.68
V	305.4	12.03
W	475.9	18.75
X	Ø15.9	Ø.62

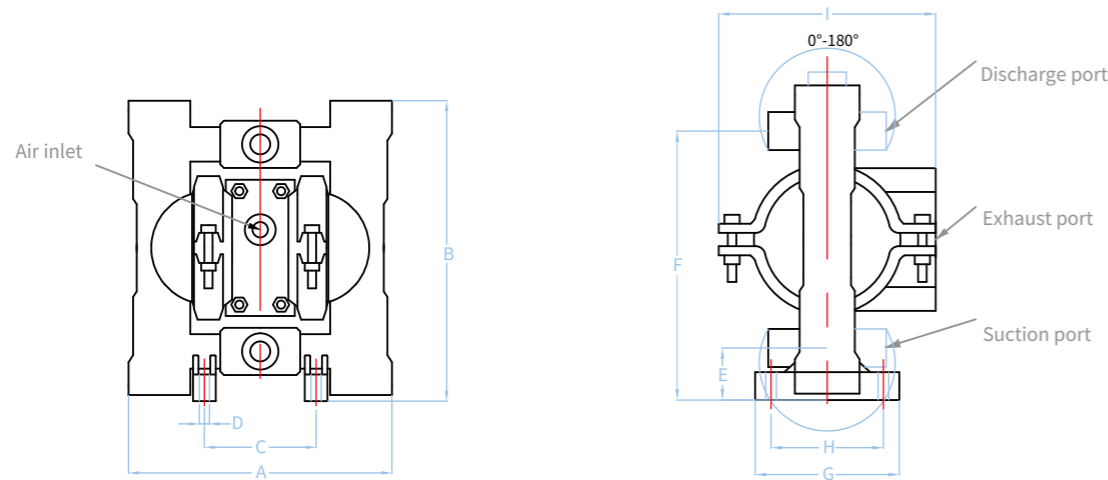
BSP threads available.

DJ Pump Non-metallic DJP.025 Model

1/4" (6mm) DJ02 P.025 Non-metallic Pump Performance



Max Flow (lpm/gpm)	18.1 / 4.8
Porting	NPT / BSP
Max Pressure	102 / 7
Max Solids (mm)	0.4
Wetted End	PP / PVDF
Suction Lift (m)	2.74 (Dry) 9.45 (Wet)



Pump Model	Port Size	Air Inlet Size	Exhaust Port Size	A	B	C	D	E	F	G	H	I	Weight (lb)
	inches	inches	inches	mm inches	mm inches	mm inches	mm inches	mm inches	mm inches	mm inches	mm inches	mm inches	
DJ02NM	1/4" NPT	1/8" NPT	N/A	145 5.7"	162 6.4"	61 2.4"	5 0.2"	25 1"	140 5.5"	64 2.5"	54 2.1"	114 4.5"	3.3

DJ Pump Factory Tour

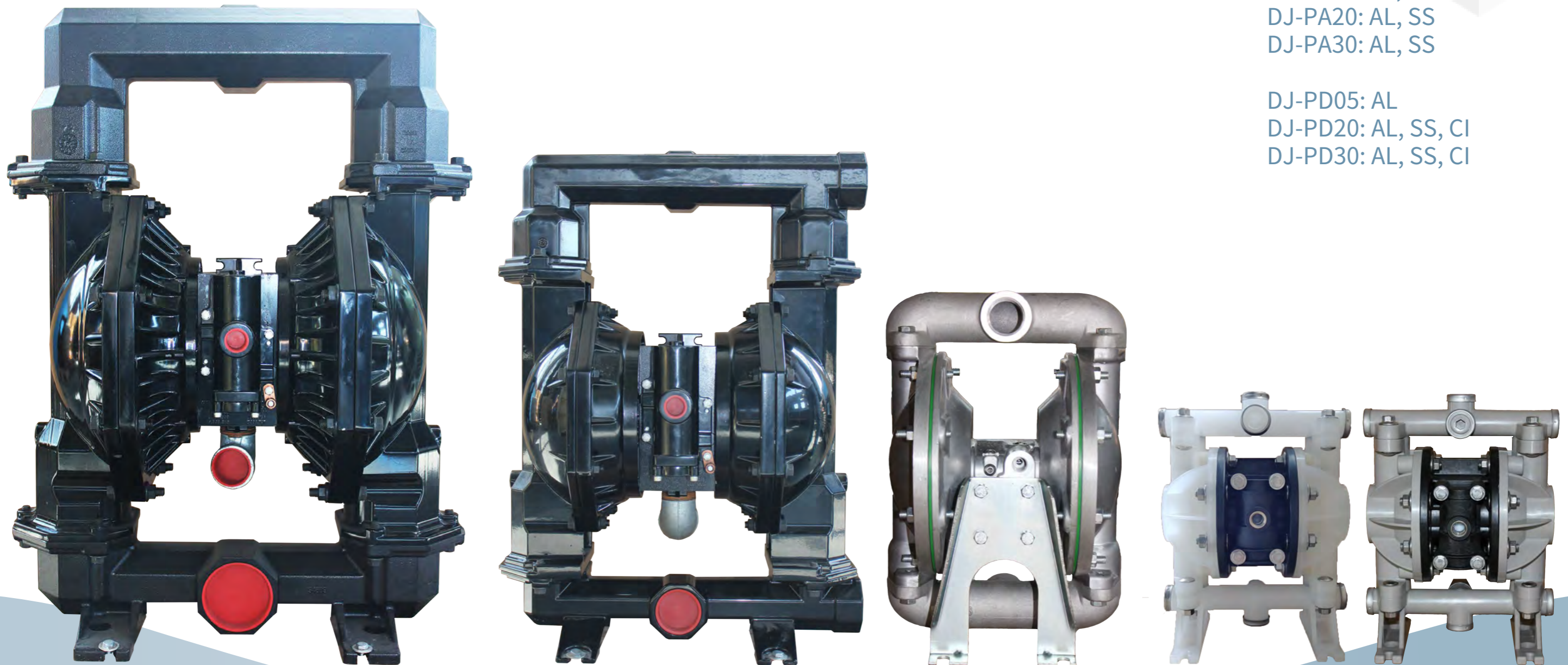


3. DJ-666XX/PDX Series

The Pumps Compatible with ARO

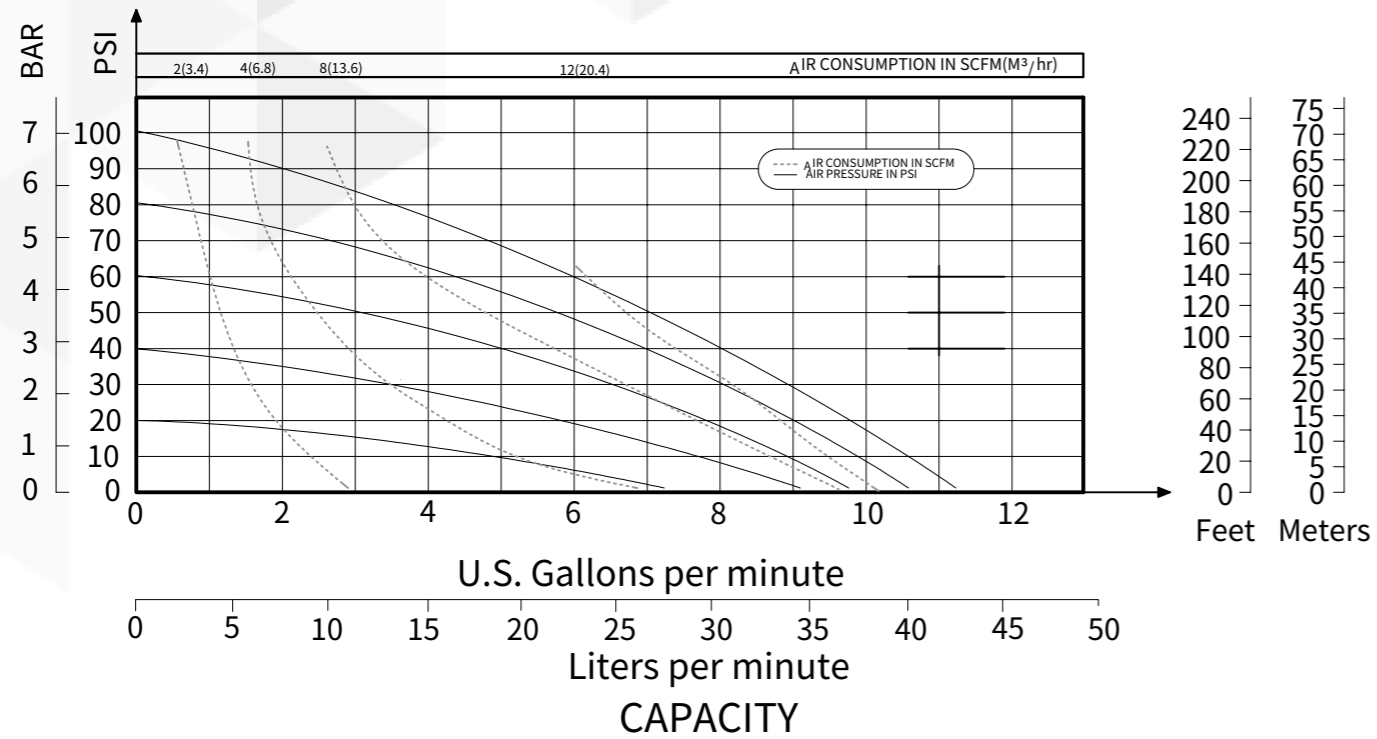
DJ-PA05: PP
DJ-PA10: PP, AL, SS, CI
DJ-PA15: AL, SS
DJ-PA20: AL, SS
DJ-PA30: AL, SS

DJ-PD05: AL
DJ-PD20: AL, SS, CI
DJ-PD30: AL, SS, CI

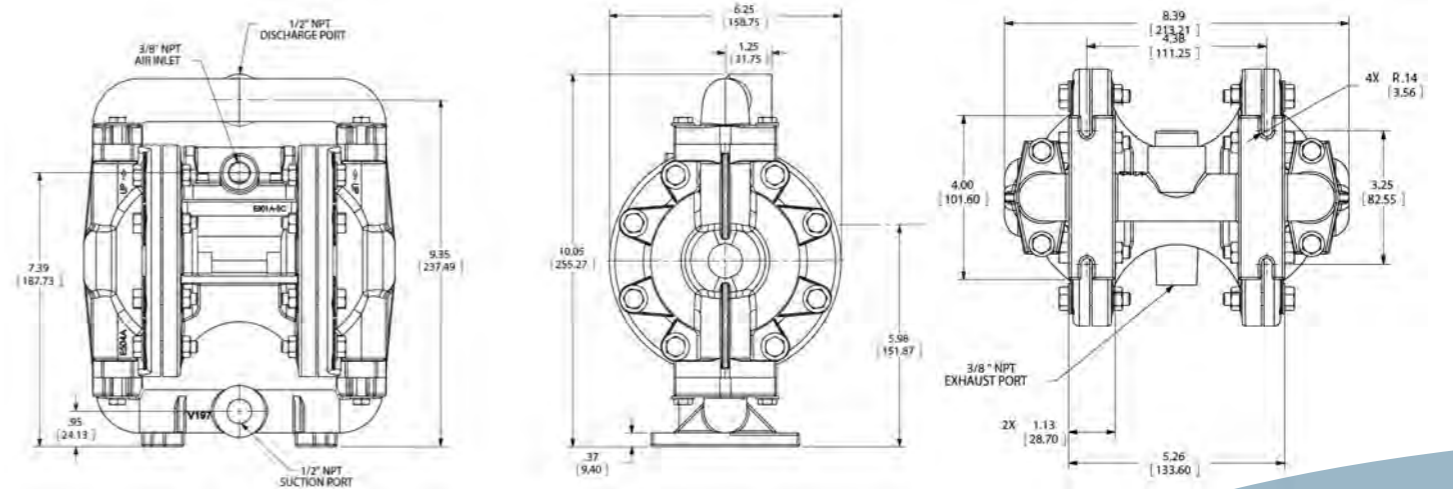
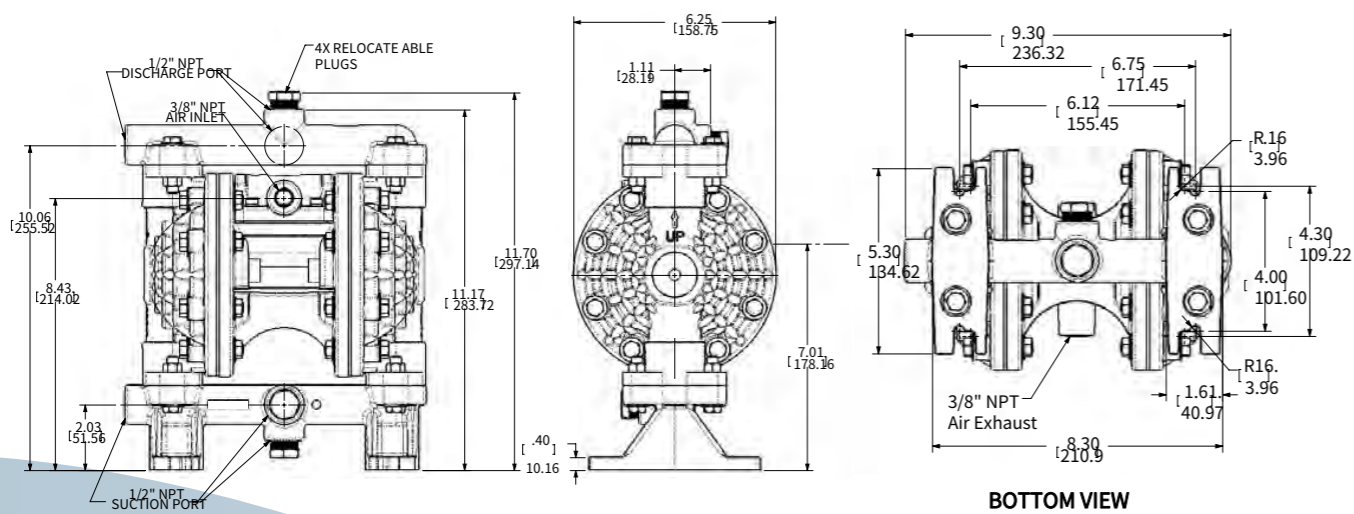
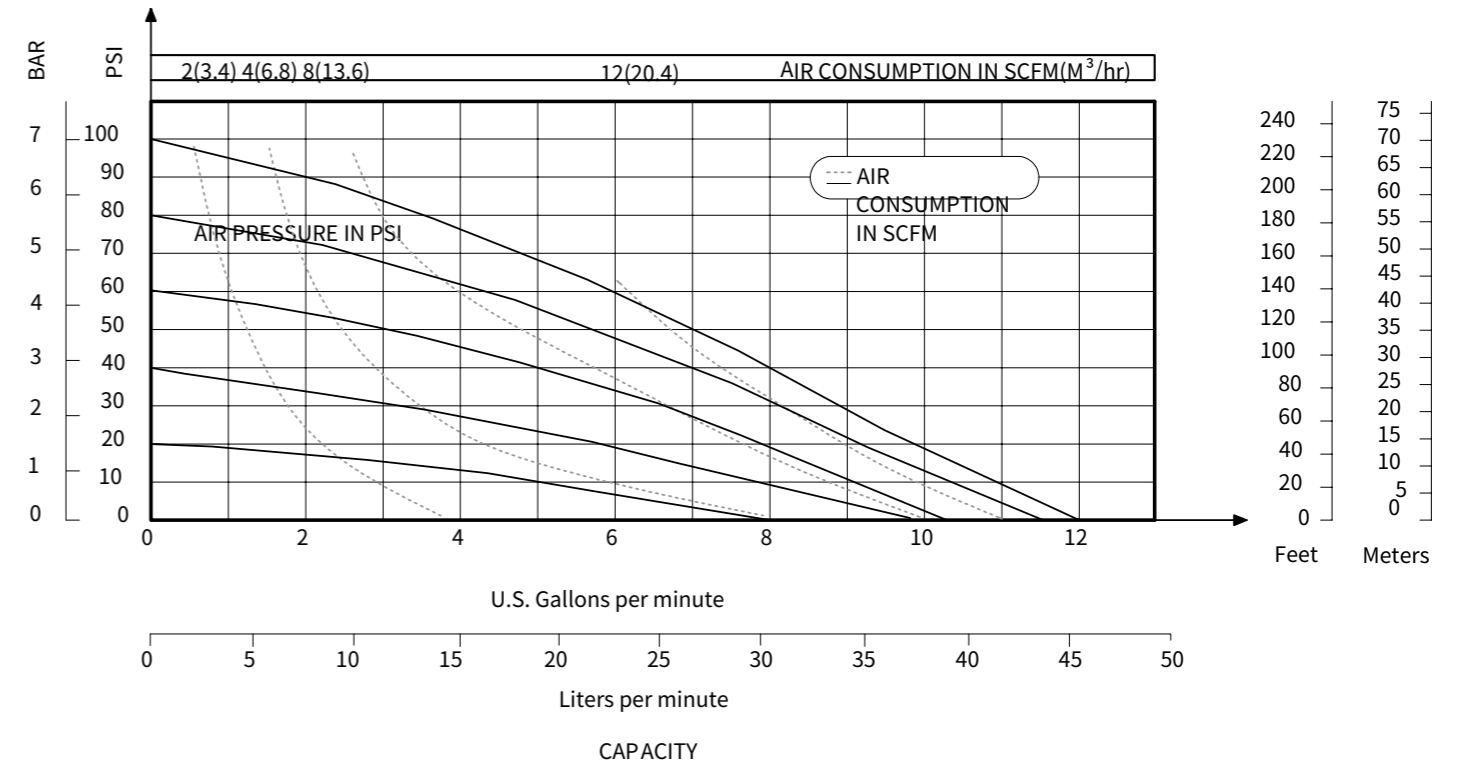


4. DJ-E5 Series The Pumps Compatible with Versa-Matic

DJE5 1/2" PP Non-metallic Pump Performance

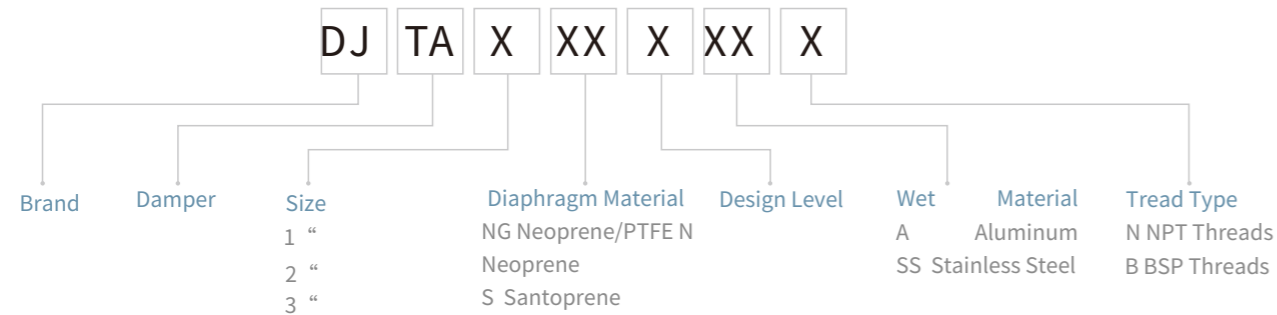


DJE5 1/2" Metallic Pump Performance



DJ Pump Surge Damper

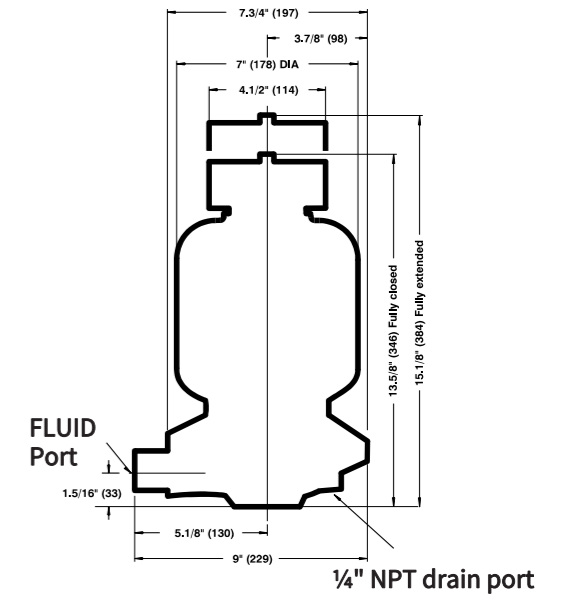
Nomenclature of Surge Damper



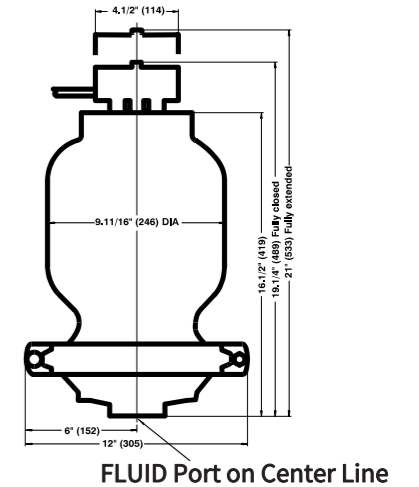
	Model No.	Inlet/Discharge Ports	Wet Material	Diaphragm Material
1	DJTA1, NG-1-A-N	1" NPT Treads	Aluminum	PTFE
2	DJTA1, N-1-A-N	1" NPT Treads	Aluminum	Neoprene
3	DJTA1, S-1-A-N	1" NPT Treads	Aluminum	Santoprene
4	DJTA1, NG-1-SS-N	1" NPT Treads	Stainless Steel	PTFE
5	DJTA1, N-1-SS-N	1" NPT Treads	Stainless Steel	Neoprene
6	DJTA1, S-1-SS-N	1" NPT Treads	Stainless Steel	Santoprene
7	DJTA2, NG-1-A-N	2" NPT Treads	Aluminum	PTFE
8	DJTA2, N-1-A-N	2" NPT Treads	Aluminum	Neoprene
9	DJTA2, S-1-A-N	2" NPT Treads	Aluminum	Santoprene
10	DJTA2, NG-1-SS-N	2" NPT Treads	Stainless Steel	PTFE
11	DJTA2, NG-2-A-N	2" NPT Treads	Aluminum	PTFE
12	DJTA2, N-2-A-N	2" NPT Treads	Aluminum	Neoprene
13	DJTA2, S-2-A-N	2" NPT Treads	Aluminum	Santoprene
14	DJTA2, NG-2-SS-N	2" NPT Treads	Stainless Steel	PTFE
15	DJTA2, N-2-SS-N	2" NPT Treads	Stainless Steel	Neoprene
16	DJTA2, S-2-SS-N	2" NPT Treads	Stainless Steel	Santoprene
17	DJTA3, NG-2-A-N	3" NPT Treads	Aluminum	PTFE
18	DJTA3, N-2-A-N	3" NPT Treads	Aluminum	Neoprene



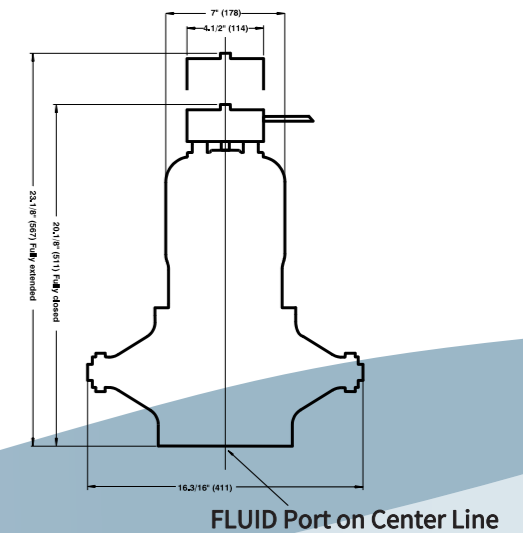
Model & Description	Max. Pressure	Air Inlet Size	Liquid Inlet Size	Dimensions inches (mm)
DJTA1 Designed for 1" pumps. 1 3/4" air inlet hose whip line supplied.	125 psi 8.6 bar Self-charging. Self-venting.	1/4" NPT (external thread)	1" NPT/BSPT	13 5/8" to 15 1/8" height (346mm to 384mm) 9" diameter (229mm) NPT(F)



Model & Description	Max. Pressure	Air Inlet Size	Liquid Inlet Size	Dimensions inches (mm)
DJTA2 Designed for 1 1/2" and 2" pumps. 1 3/4" air inlet hose whip line supplied.	125 psi 8.6 bar Self-charging. Self-venting.	1/4" NPT (external thread)	2" NPT/BSPT	20 1/4" to 23 3/16" height (514mm to 589mm) 12 1/2" diameter (317mm) NPT(F)



Model & Description	Max. Pressure	Air Inlet Size	Liquid Inlet Size	Dimensions inches (mm)
DJTA3 Designed for 3" and 4" pumps. 1 3/4" air inlet hose whip line supplied.	125 psi 8.6 bar Self-Charging. Self-venting.	1/4" NPT	3" NPT/BSPT	20 1/8" to 23 1/8" height (511mm to 587mm) 16 3/16" diameter (411mm) NPT(F)




DJ Pump Pump Parts


DJ Pump spare parts, Original quality with adequate inventor
Help customers save inventory costs and maintenance costs.

Main Parts


- Diaphragm**
Material: Santoprene, PTFE, Buna-N, Viton, EPDM, Neoprene




Air Valve Assembly
Material: Aluminum, Glass Filled Polypropylene




Valve Ball
Material: Santoprene, PTFE, Buna-N, Viton, EPDM, Neoprene




Valve Seat
Material: Aluminum, Buna-N, EPDM, Neoprene, Stainless Steel, PTFE, PP, PVDF




Pilot Valve Assembly
Material: Glass Filled Polypropylene




Outer plate
Material: Stainless Steel, Aluminum, Iron, PVDF, PP




Inner plate
Material: Aluminum




Inlet port
Material: Stainless Steel, Aluminum, Iron, PVDF, PP




Hardware
Material: Zinc Plated Steel, Stainless Steel, Carbon Steel




Outlet port
Material: Stainless Steel, Aluminum, Iron, PVDF, PP



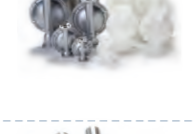
Sleeve and Spool Set
Material: Aluminum




Gasket
Material: Nitrile




Chamber
Material: Stainless Steel, Aluminum, Iron, PVDF, PP




Central Block
Material: Stainless Steel, Aluminum, PP



Rod
Material: Stainless Steel



O-ring
Material: Coating fluororubber, PTFE, Neoprene, Buna-N



Repair Kits

- Air End Kit | Kit No. see in operating manual**
Including Parts: Air Valve Assembly, Pilot Spool Assembly, Gasket (Inner Chamber, Air Valve, Pilot Valve, Air Inlet Cap, Bumper), Seal, Plunger Assembly



Wetted Kit | No. see in operating manual
Parts including: Diaphragm Valve Ball Valve



DJ Pump Accessories

- Liquid Level Controller**
When the floating ball moves along the horizontal axis under the liquid buoyancy, driving the magnet, outputting the shutdown signal, which can be used for alarm prompt or remote control.

- Manual Ball Valve**
Good wear resistance, good sealing performance, convenient operation and long service life.



DJ Pump® Soft Connection
Size based on pump model. Reduces the stress from suction and discharge ports. Note: Stainless Steel, with fluorine lined choice



- DJ Pump® Muffler**
Reducing the noise and the dust into the components in the air components. Material with PP nylon and metal, and metal muffler will reduce the probability of icing relativity.



Liquid Filter
Which can meet all kinds of filtration precision requirements and keep enough flow ability.



- DJ Pump® Air Filter, Regulator**
Provides dry and clean air to pump. Air Filter/Regulator offers easy installation and maintenance.



Flow Meter
Which can measuring flow accurately, improving the production efficiency. With accurate reliable and wide application.



- Surge Damper**
Provides pulse-free flow, for steadier pressure of system and lower noise.



DJ Pump launches the first standard of AODD pump in China.

Download it from Standardization Administration of China
www.cpbz.gov.cn

Q/JSJY 01-2018

www.cpbz.gov.cn is owned by



Remark: